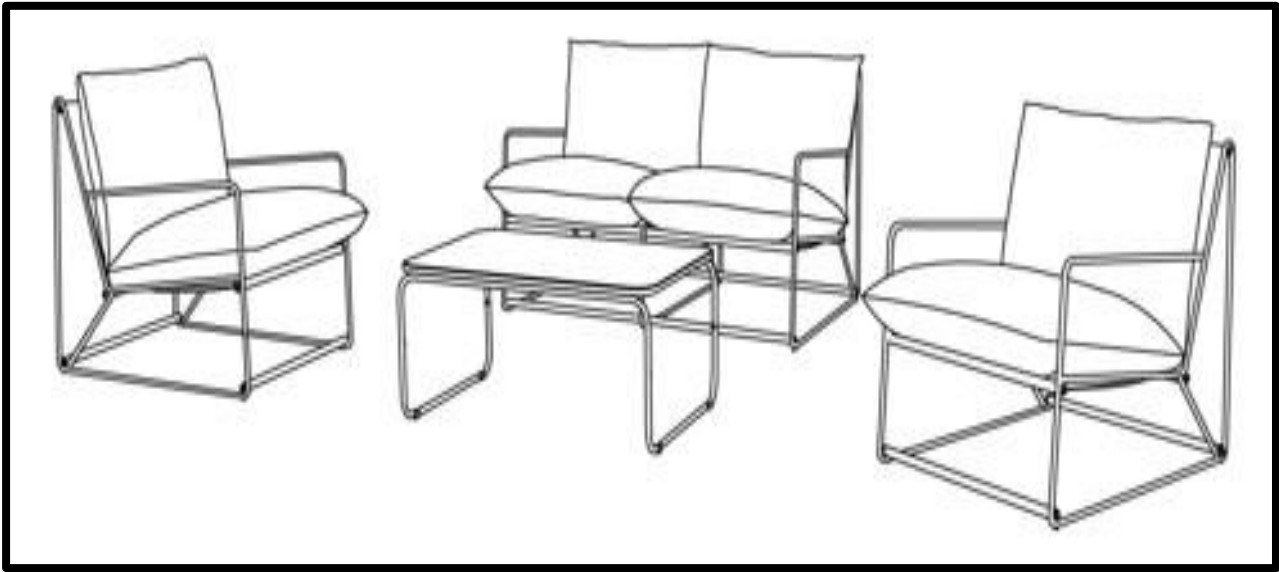


RIVA COFFEE SET  
359307



## BEFORE YOU START



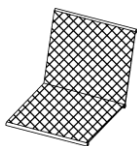
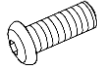
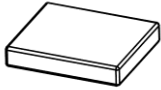


- Retain these instructions for future reference.
- When you are ready to start, make sure that you have the right tools, plenty of space and a clean, dry area for assembly.
- Unwrap all packaging materials and place the components on top of the carton box or on a clean floor to prevent it from scratching.
- Check the pack and make sure you have all the parts listed.
- Ensure that this product is fully assembled as illustrated before use.

## WARNINGS

- Do not stand on the product.
- Do not sit on the table.
- Do not overtighten screws.
- Do not tighten screws until fully assembled.
- Do not use this product if parts are missing, damaged or worn.
- Keep small parts out of reach of children.
- This product should only be used on firm, level ground.
- Make sure the legs remain in contact with the ground.
- This product is for domestic use only.
- Periodically, inspect and tighten all fixings to ensure the product remains secure.
- Each chair and each seat on the sofa is intended for a maximum weight of 110kg. Do not exceed this weight.

## ASSEMBLY INSTRUCTIONS

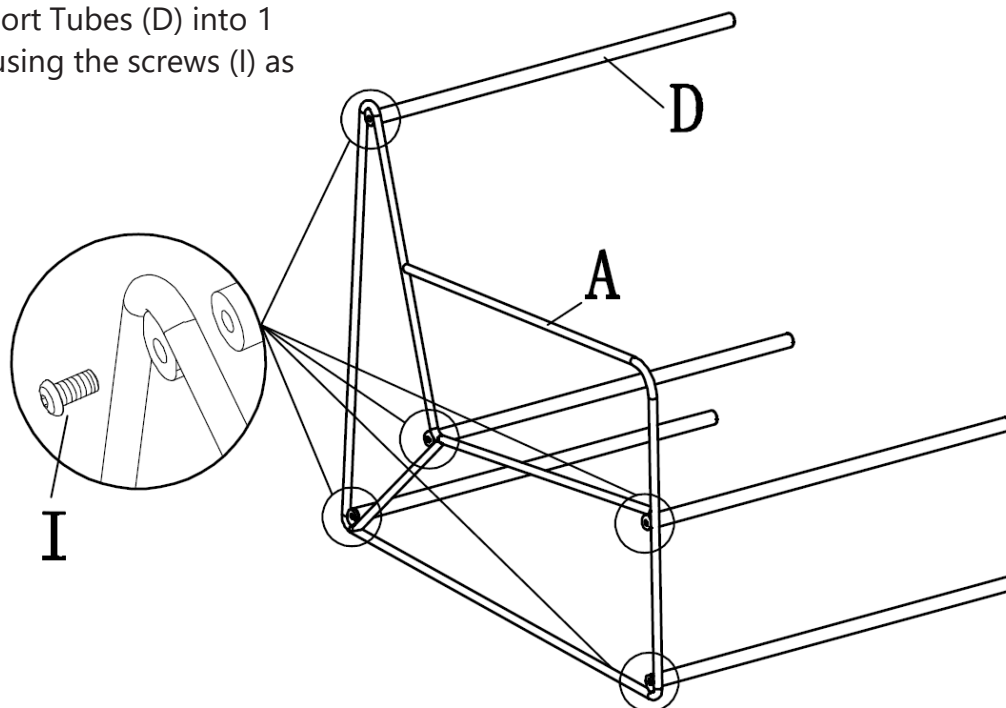
## CHAIRS - PARTS SUPPLIED (PER CHAIR)

REF	DESCRIPTION	QUANTITY	ILLUSTRATION
A	Leg Frame	x2	
D	Support tube	x5	
H	Seat/back part	x1	
I	Screw – M8*60	x10	
L	Seat Cushion	x1	
M	Back Cushion	x1	
O	Allen key	x1	

## CHAIRS – ASSEMBLY &amp; IMAGES STEPS

## Step 1

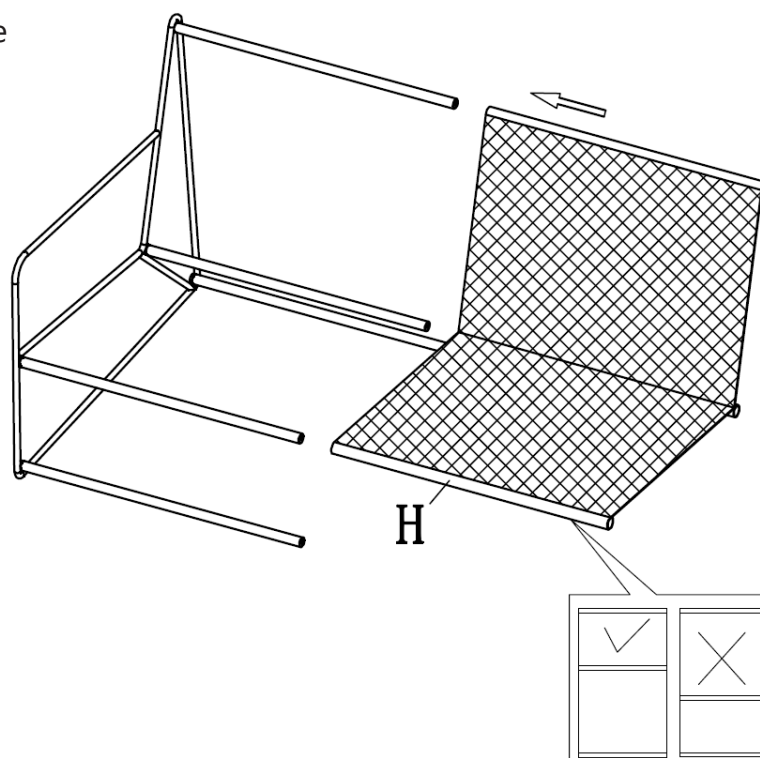
Insert the Support Tubes (D) into 1 Leg Frame (A) using the screws (I) as shown.



## Step 2

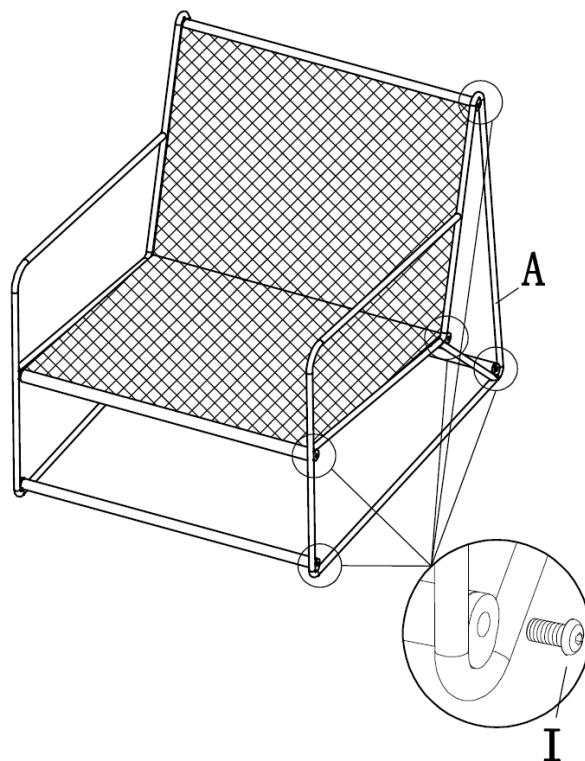
Slide the Seat/Body Part (H) onto the Support Tubes (D) as shown.

Please ensure it is the correct orientation to avoid damaging the product or injury.



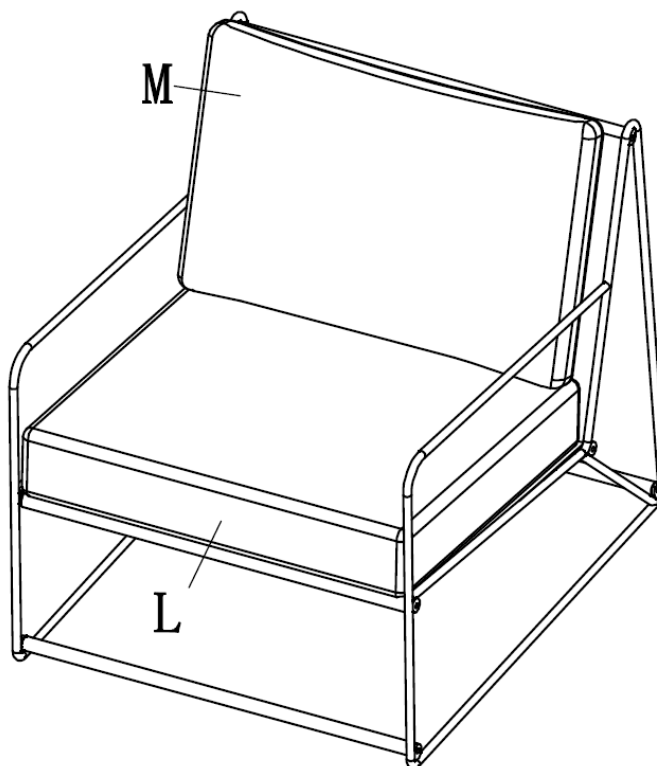
## Step 3

Attach the 2nd Leg Frame (A) to the end of the Support Tubes (D) using the screws (I) as shown.






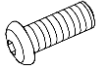
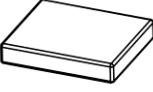




## Step 4

Place cushions (L and M).



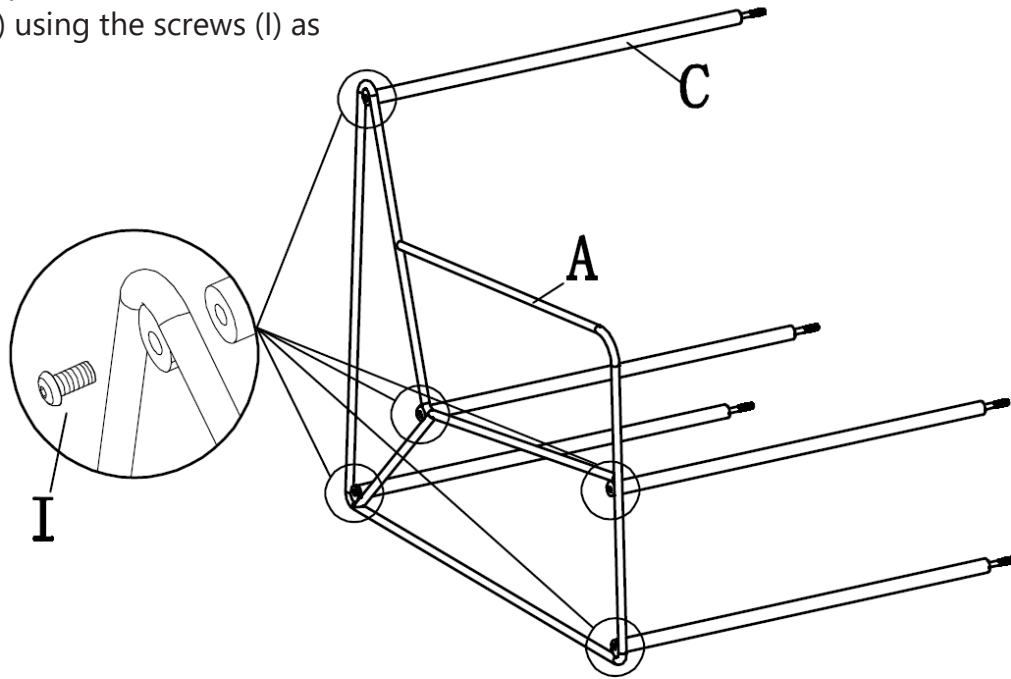
## 2 SEATER – PARTS SUPPLIED

REF	DESCRIPTION	QUANTITY	ILLUSTRATION
A	Leg Frame	X2	
B	Leg Frame	X1	
C	Support tube	X5	
D	Support tube	X5	
H	Seat/back part	X2	
I	Screw – M8*60	X10	
L	Seat Cushion	X2	
M	Back Cushion	X2	
O	Allen key	x1	

## 2 SEATER - ASSEMBLY IMAGES AND STEPS

### Step 1

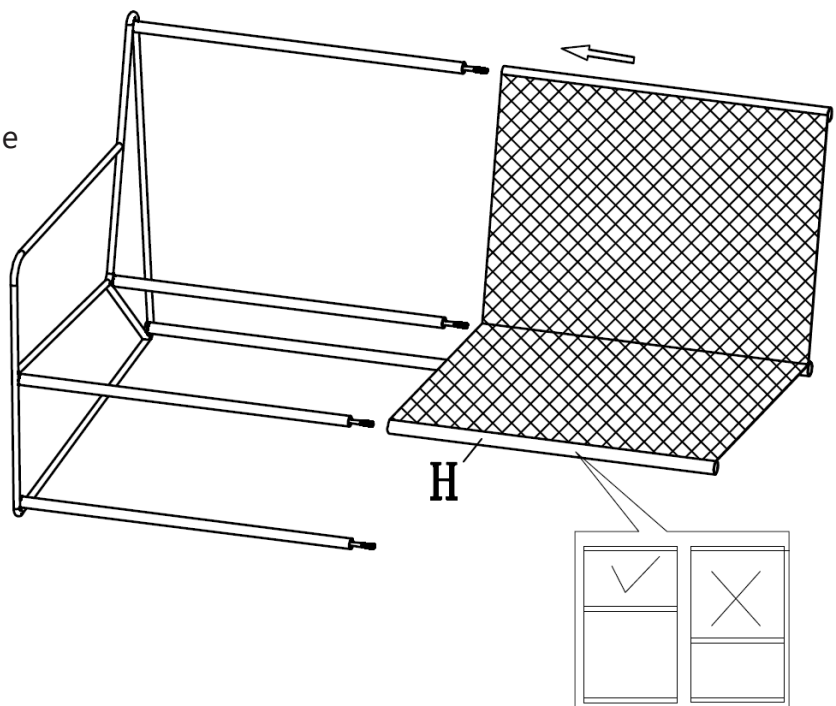
Insert the Support Tubes (C) into 1 Leg Frame (A) using the screws (I) as shown.



### Step 2

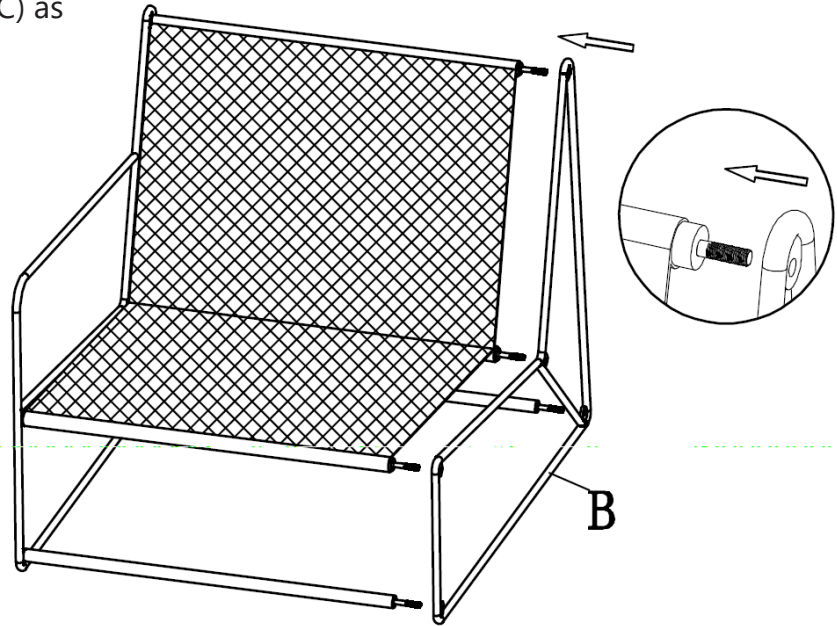
Slide the Seat/Body Part (H) onto the Support Tubes (C) as shown.

Please ensure it is the correct orientation to avoid damaging the product or injury.



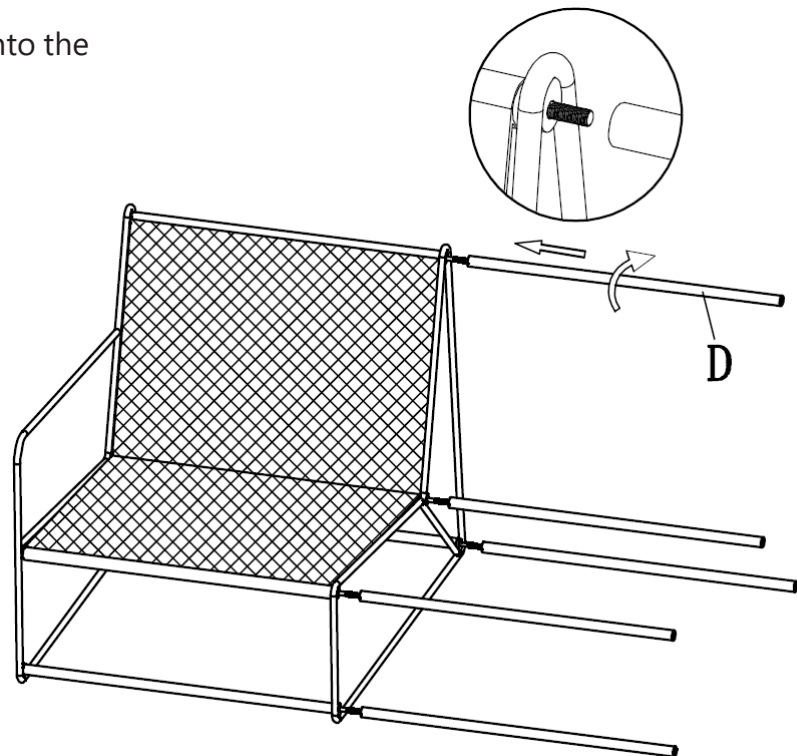
## Step 3

Attach the middle Leg Frame (B) to the end of the Support Tubes (C) as shown.



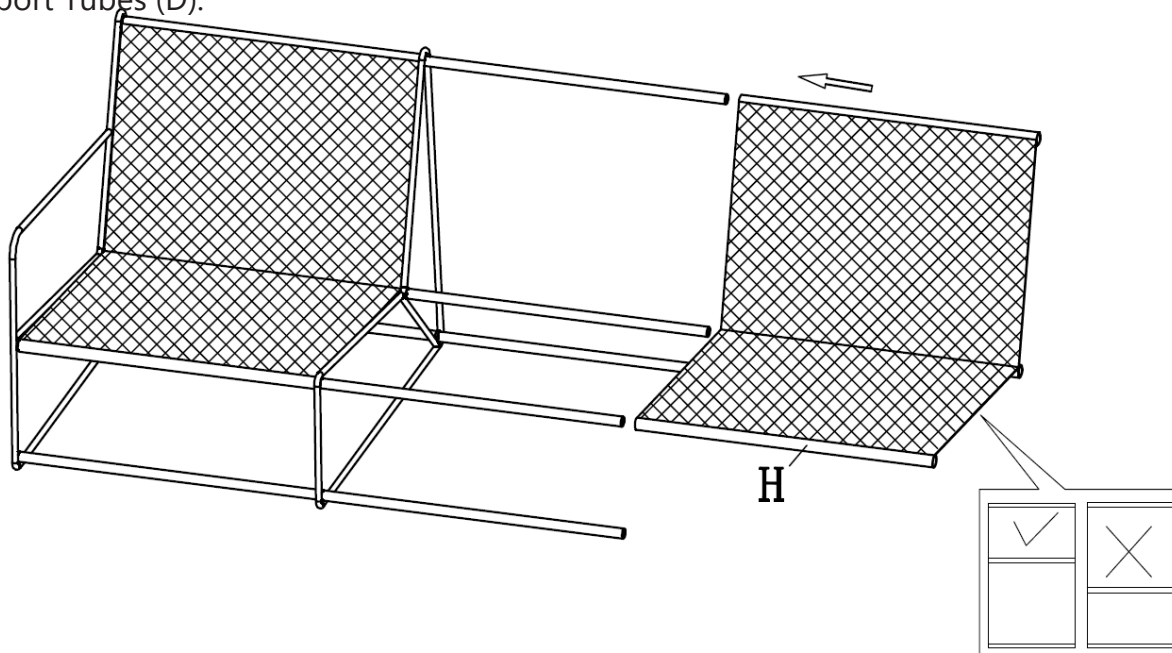
## Step 4

Screw the Support Tubes (D) onto the ends of Support Tubes (C)



## Step 5

Attach the Seat/Body part (H) onto the Support Tubes (D).



## Step 6

Screw the last leg frame (A) onto the Support Tubes (D) using the screws (I).

Place cushions (L and M)

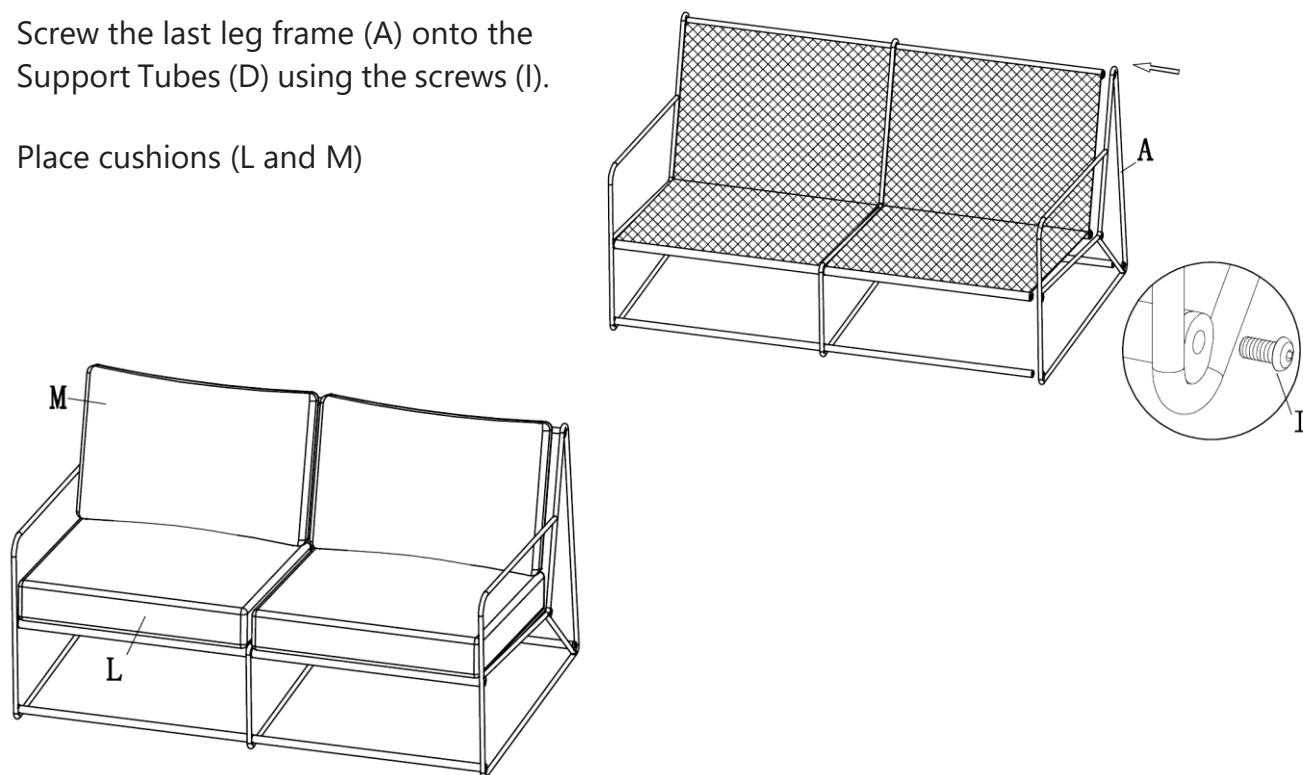
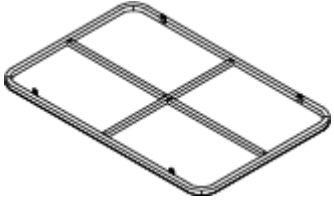
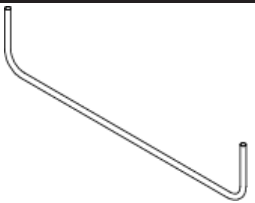
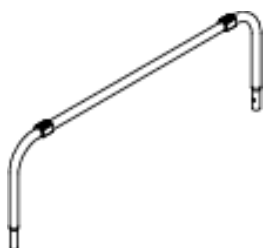





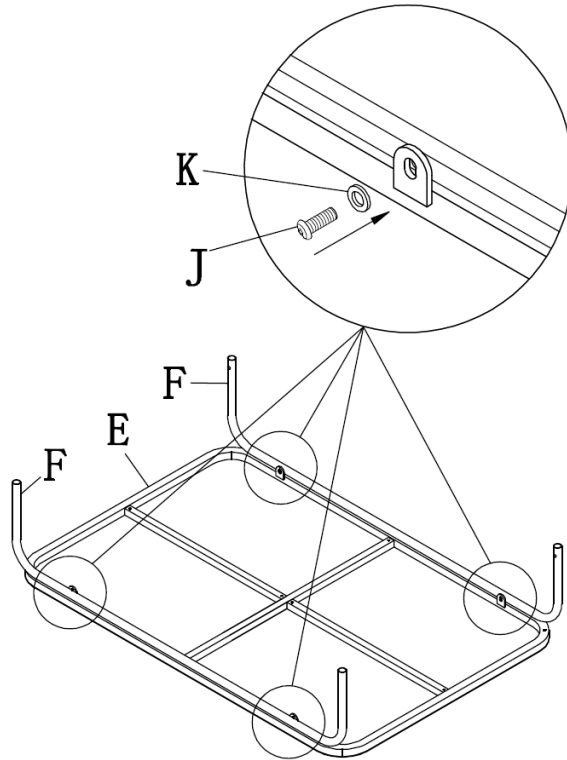
TABLE – PARTS SUPPLIED

REF	DESCRIPTION	QUANTITY	ILLUSTRATION
E	Table Top	X1	
F	Leg Frame	X2	
G	Leg Frame	X2	
J	Screw – M8*12	X8	
K	Washers	X4	
N	Allen key	x1	

## TABLE - ASSEMBLY IMAGES AND STEPS

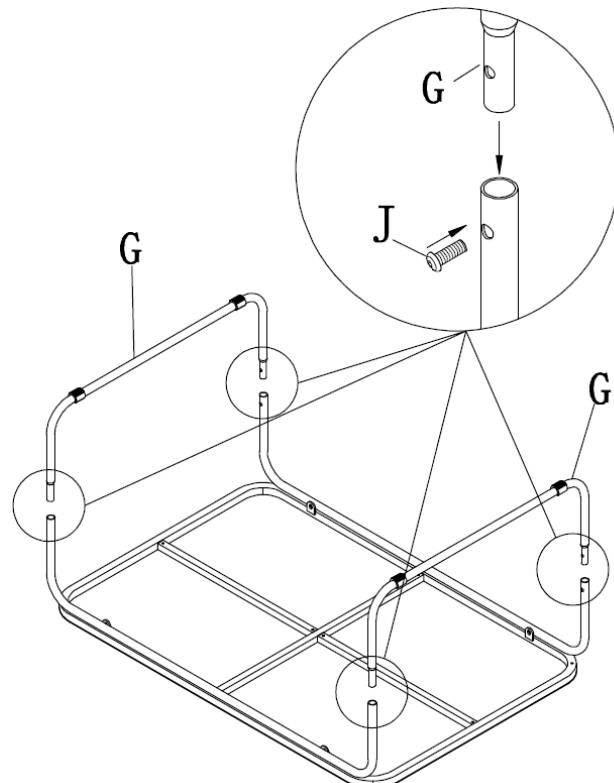
## Step 1

Screw the top of the Leg Frames (F) into the base of the Table Top (E) using the washers (K) and screws (J) as shown.



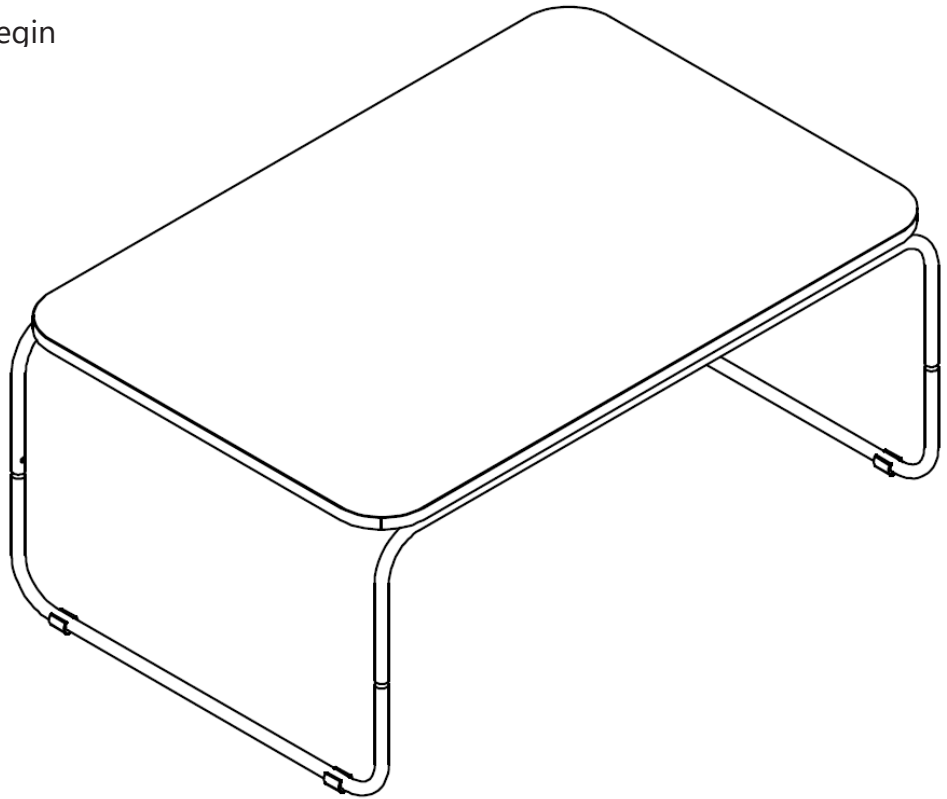
## Step 2

Fit the bottom of the Leg Frames (G) into (F), ensuring the holes line up. Screw into place with (J) as shown.



## Step 3

Flip the product over to begin



## CARE INSTRUCTIONS

- To clean, wipe with a sponge and warm, soapy water, then wipe with a dry, clean cloth. Do not use solvent-based cleaners or detergents as these will damage the look of the product.
- Never use a pressure hose or washer to clean the product. Never use scourers, abrasives or chemical cleaners.
- The metal is powder coated. Do not use a wire brush when removing dirt from this item as it may damage the paint leaving the surface open to corrosion.
- Store the furniture in a cool, dry place. Ensure that the furniture is clean and dry before putting into storage.
- We recommend the use of furniture covers to protect your product when not in use.
- Please note, the cushions are not waterproof and should not be left out in the rain. Please store the cushions in a cool, dry place when not in use.
- During bad weather and winter months, the product should be stored in a cool, dry place.
- Periodically check all fixings to ensure none have come loose and re-tighten when necessary.
- Please keep away from sources of extreme heat and naked flames.
- The warranty does not cover accidental damage/neglect or general wear and tear.