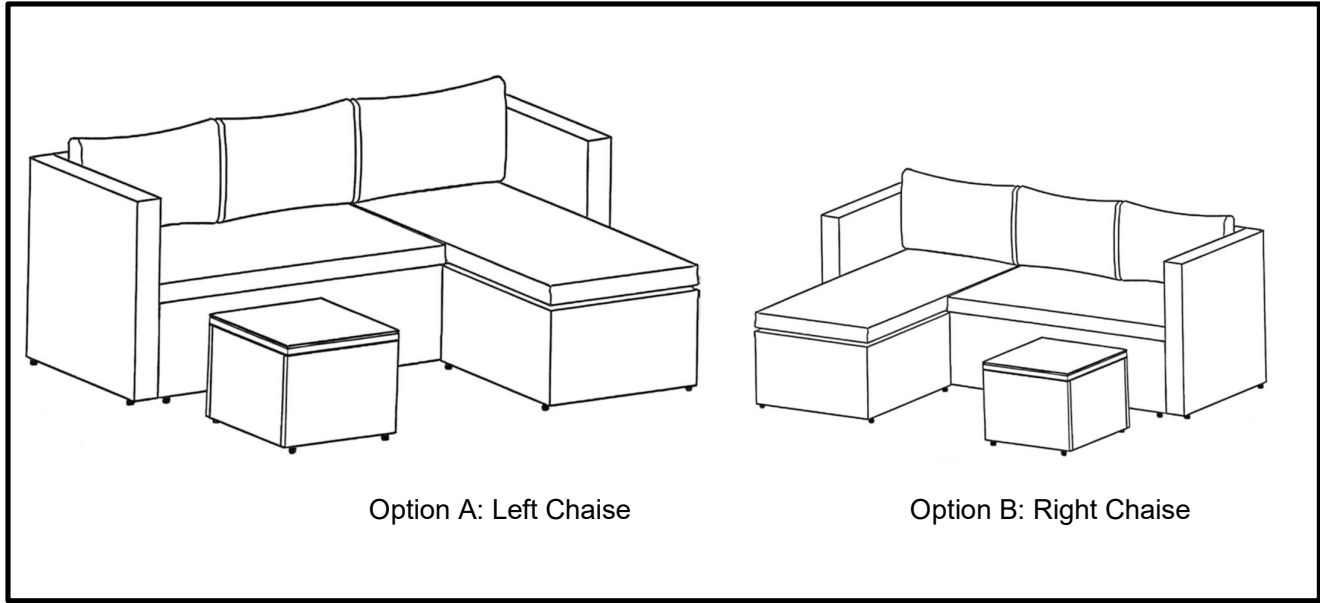


## MILO SOFA SET

360344



Option A: Left Chaise

Option B: Right Chaise

## BEFORE YOU START

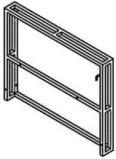
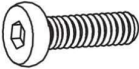


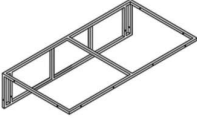

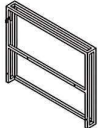











- Retain these instructions for future reference.
- When you are ready to start, make sure that you have plenty of space and a clean, dry area for assembly.
- Unwrap all packaging materials and place the components on top of the carton box or on a clean floor to prevent it from scratching.
- Check the pack and make sure you have all the parts listed.
- Ensure that this product is fully assembled as illustrated before use.

## WARNINGS

- This product should only be used on firm, level ground.
- Do not sit or stand on the table. Do not stand on the sofa.
- Make sure the legs remain in contact with the ground. Adjust the feet levellers as required to ensure the item doesn't move in case of un-even surface.
- Keep small parts out of reach of children.
- This product is for domestic use only.
- This product is intended for a maximum weight of 110Kg per seat. Do not exceed this weight.
- Do not tighten screws until fully assembled.
- Do not use this product if parts are missing, damaged or worn.
- Check all screws or bolts are tightened and inspect regularly.
- Do not overtighten screws or bolts.




## ASSEMBLY INSTRUCTIONS

### PARTS SUPPLIED

REF	DESCRIPTION	ILLUSTRATION	QTY	REF	DESCRIPTION	ILLUSTRATION	QTY
<b>A</b>	2 Seat Arm		1	<b>J</b>	Bolts M6 x 30		12
<b>B</b>	2 Seat Back		1	<b>K</b>	Bolts M6 x 60		17
<b>C</b>	2 Seat		1	<b>L</b>	Washer		46
<b>D</b>	Chaise Arm		1	<b>M</b>	Nuts M6		17
<b>E</b>	Chaise Back		1	<b>N</b>	Spanner		1
<b>F</b>	Chaise Seat		1	<b>O</b>	Allen Key		1
<b>G</b>	Table Side		2	<b>P</b>	Back Cushion		3
<b>H</b>	Table Side		2	<b>Q</b>	Seat Cushion		2
<b>I</b>	Tabletop		1	<b>R</b>	Glass		1

## ASSEMBLY IMAGES & STEPS

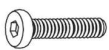


### Step 1

		
M6 x 60 K x 7	L x 14	M x 7

1a - left side chaise

1b - right side chaise

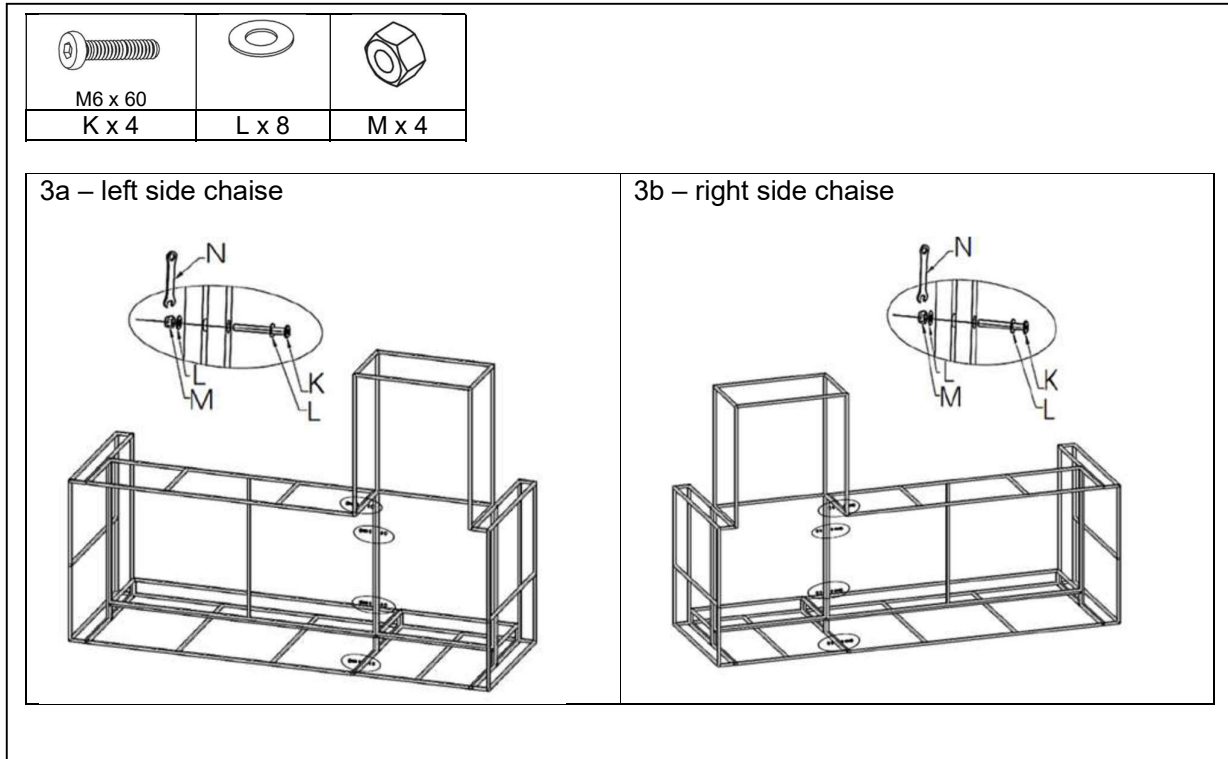
### Step 2

		
M6 x 60 K x 6	L x 12	M x 6

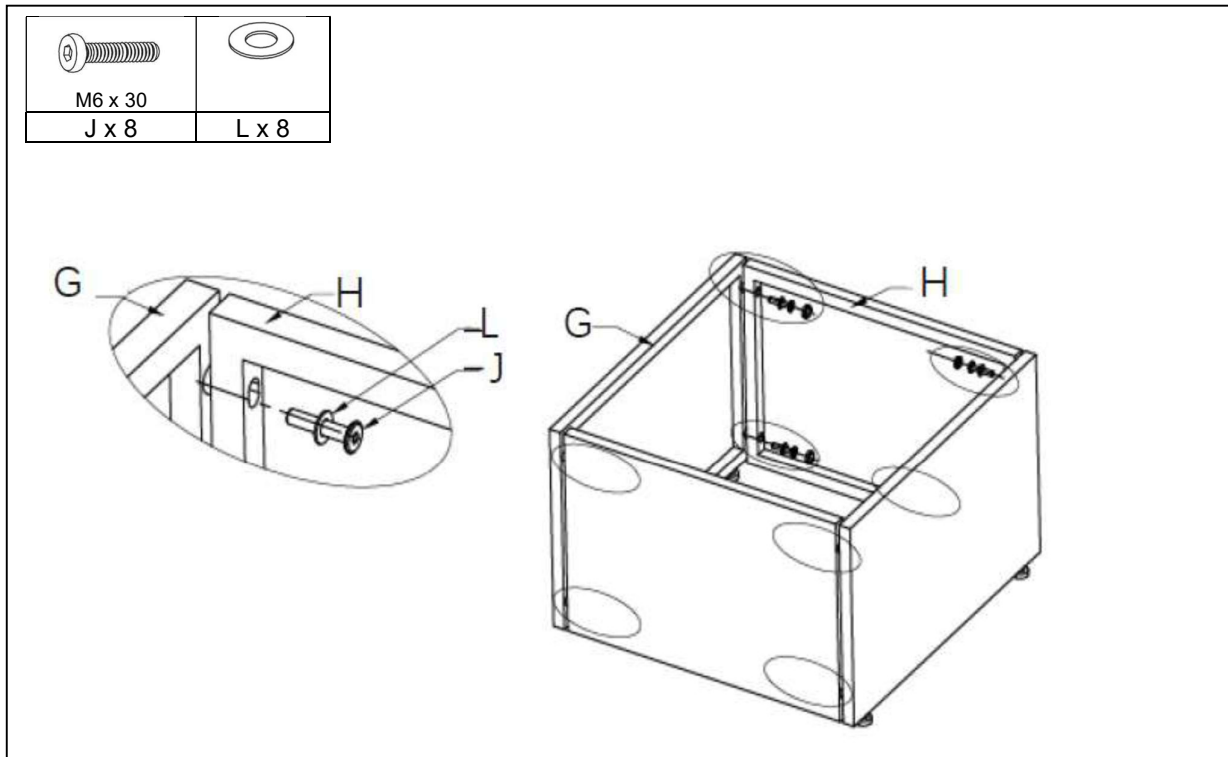
2a - left side chaise

2b - right side chaise

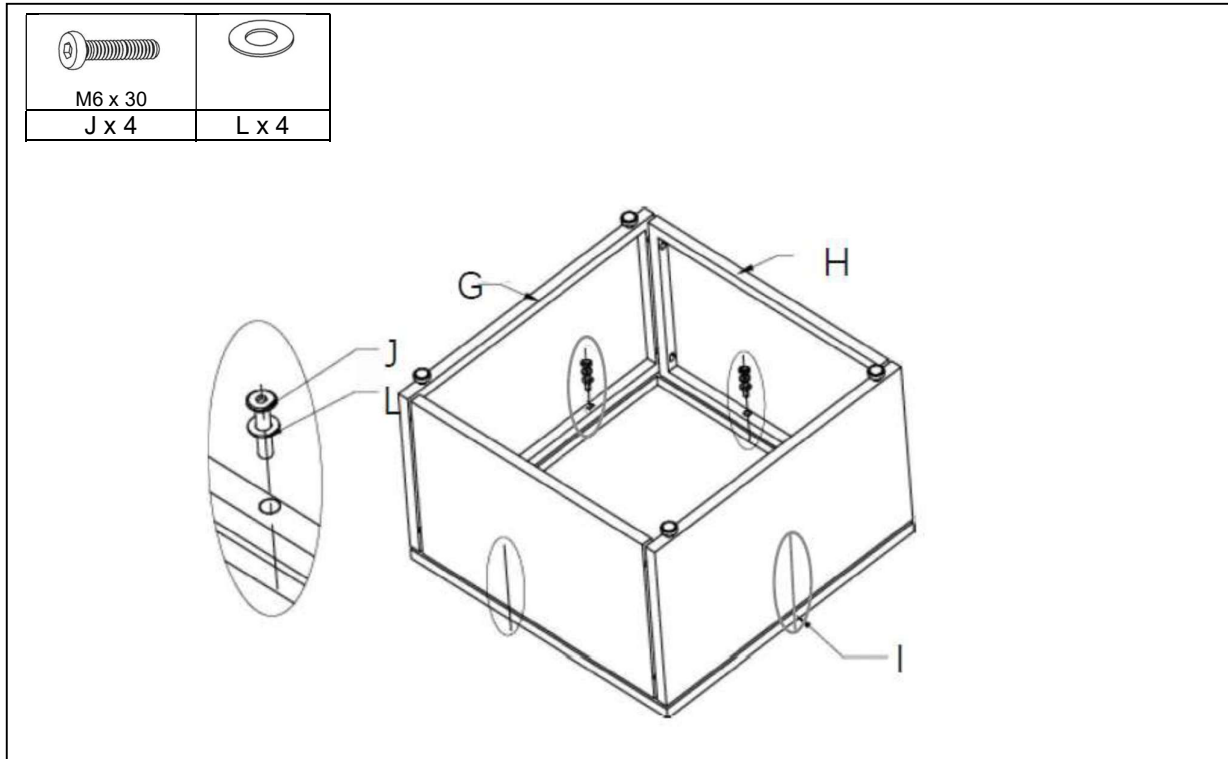
## Step 3



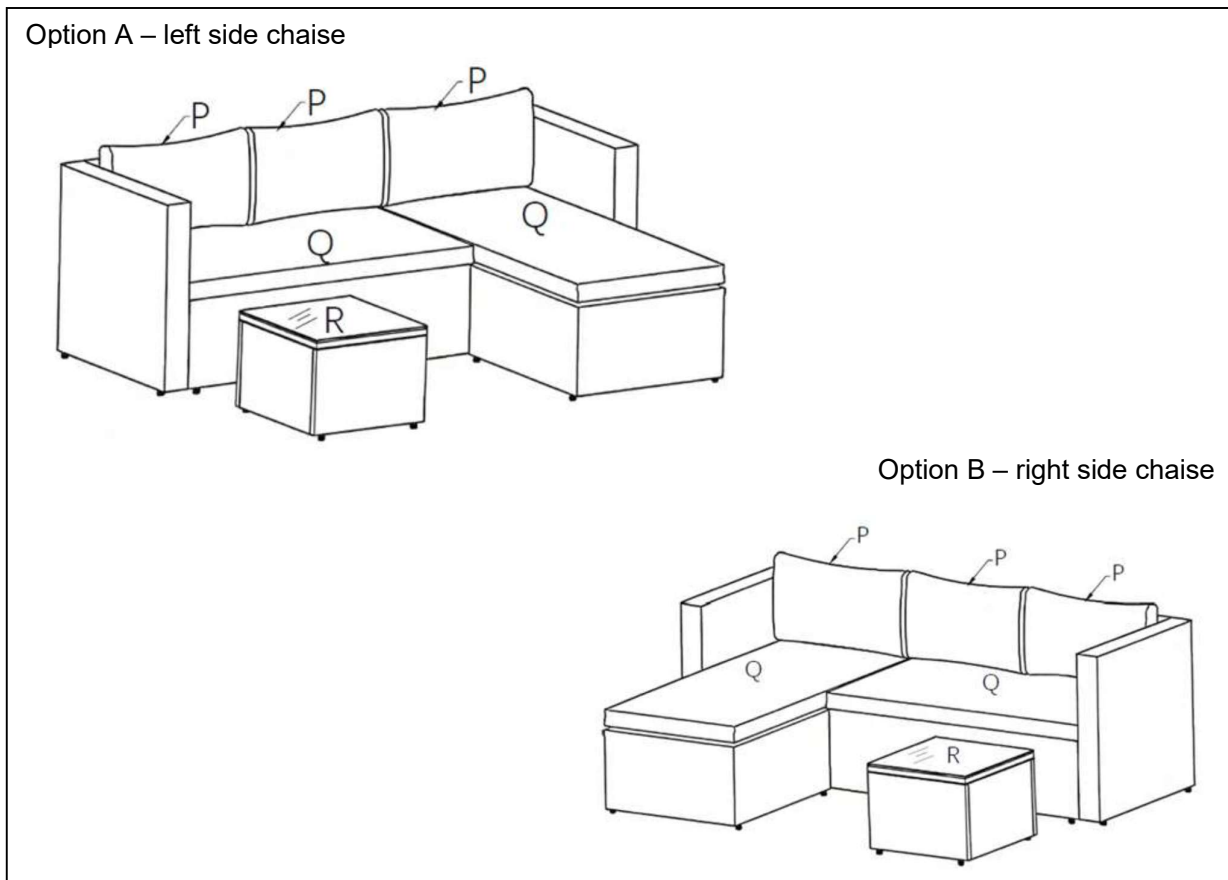
## Step 4



## Step 5



## Step 6



## CARE INSTRUCTIONS

- To clean wipe with a sponge and warm soapy water then wipe with a dry, clean cloth. Do not use solvent-based cleaners or detergents as they can bleach or damage the product.
- Never use a pressure hose or washer to clean the product. Never use scourers, abrasives or chemical cleaners.
- Store the product in a cool, dry place. Before storage ensure that the product is clean and dry. We recommend the use of furniture covers to protect your product when not in use.
- Please note, the cushions are not waterproof and should not be left out in the rain.
- Please store the cushions in a cool, dry place when not in use.
- Please keep away from sources of extreme heat and naked flames.
- Periodically check all fixings to ensure none have come loose and re-tighten when necessary.
- Avoid sharp objects as these can damage or scratch the product.
- During bad weather and winter months, bring product indoors where possible or use a breathable furniture cover