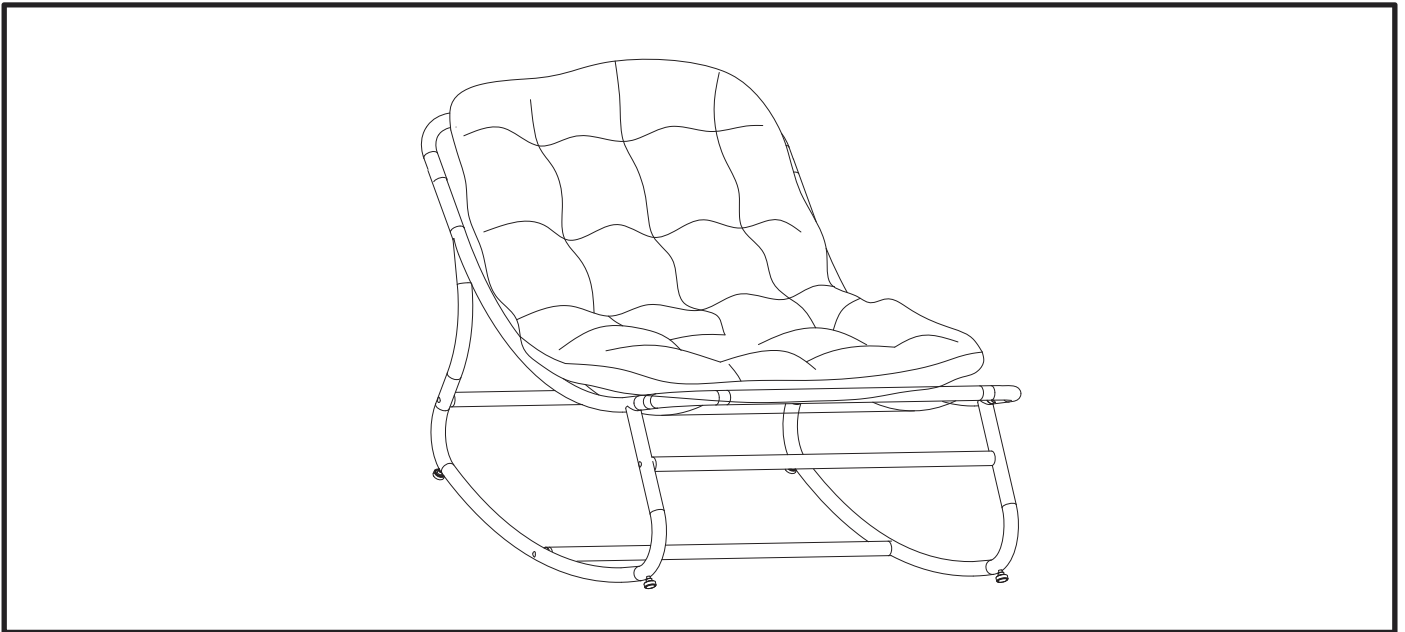


SAMBA ROCKING CHAIR 980194



BEFORE YOU START

- Retain these instructions for future reference.
- Unwrap all packaging materials and place the components on top of the carton box or on a clean floor to prevent it from scratching.
- Check the pack and make sure you have all the parts listed.
- Do not use power tools to construct this product.
- Ensure that this product is fully assembled as illustrated before use.

WARNINGS

- Do not stand on the chair.
- This product should only be used on firm, level ground.
- Make sure the legs remain in contact with the ground.
- Before using the product, make sure all fastenings are tightly in place and that everything is in order, and checked periodically.
- Do not use this product if parts are missing, damaged or worn.
- This product is for domestic use only.
- This chair is intended for a maximum weight of 110kg. Do not exceed this weight.

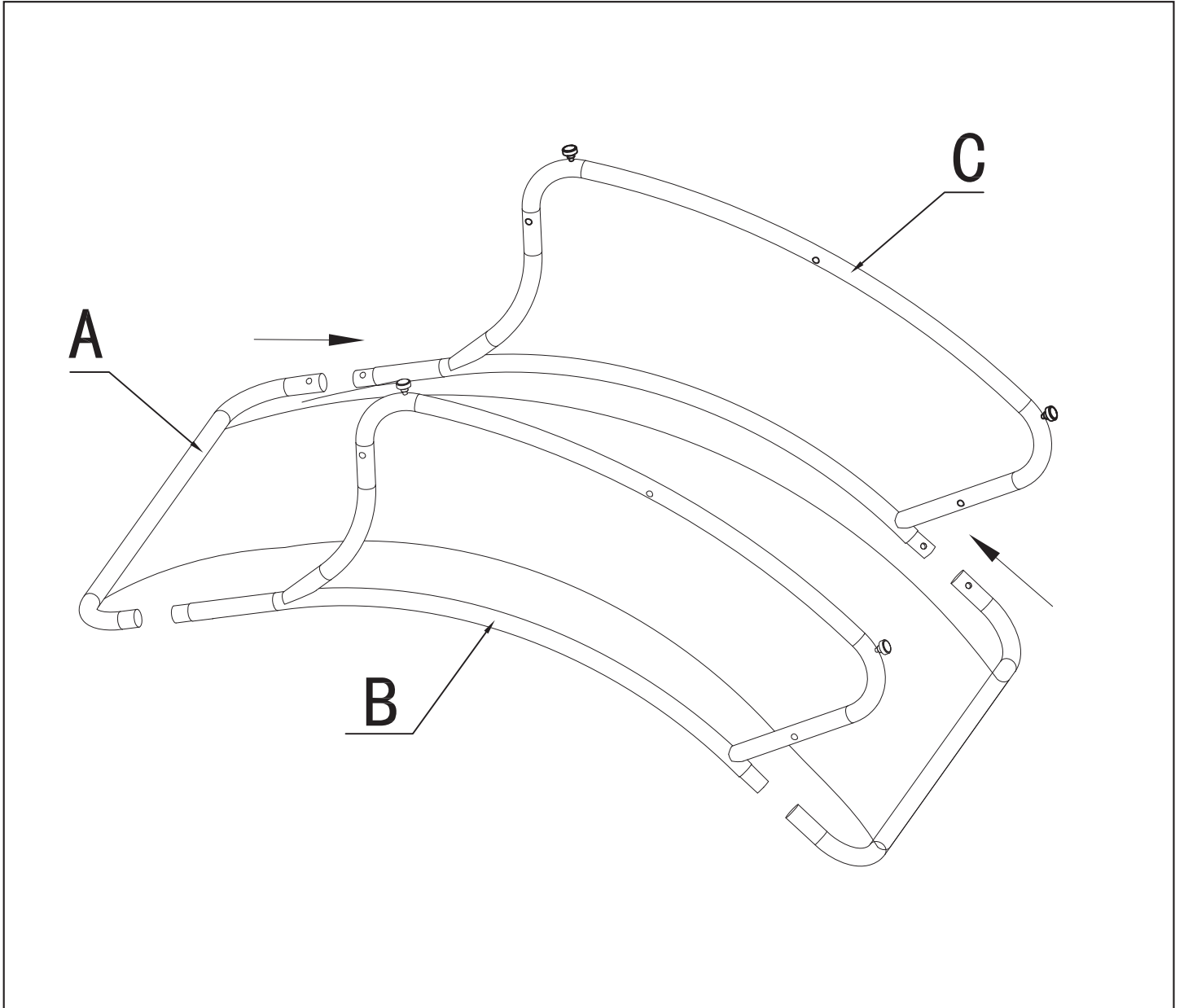
ASSEMBLY INSTRUCTIONS PARTS SUPPLIED



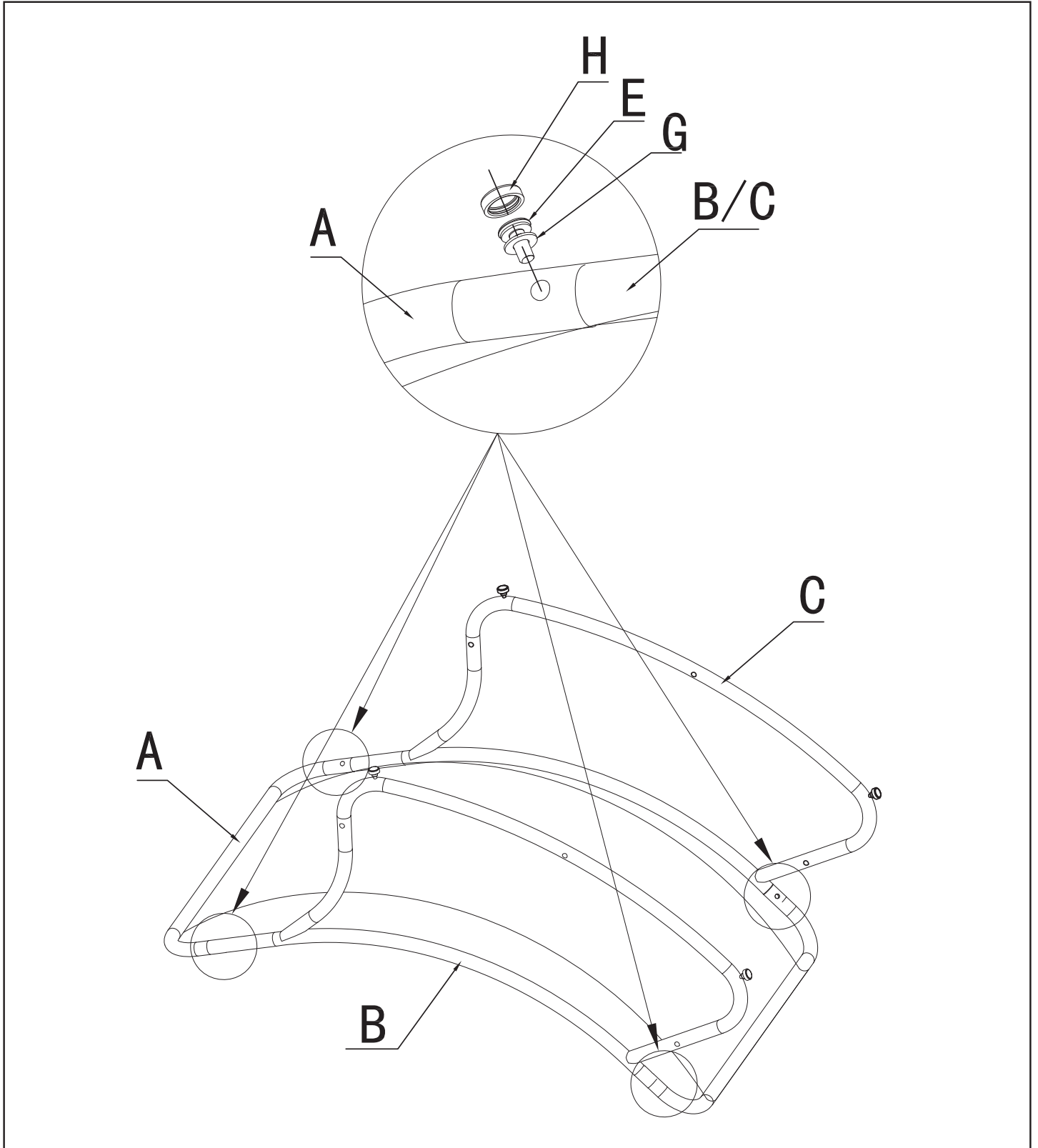
Ref	Description	Illustration	QTY
A	Seat tube assembly		1
B	Left leg frame		1
C	Right leg frame		1
D	Leg connecting tube		3
E	Screw	 M6*15	4
F	Screw	 M6*40	6
G	Washer	 Φ 13*Φ 6.5*1.0mm	4
H	Nut cover		4
I	Allen key		1
J	Cushion		1

ASSEMBLY IMAGES & STEPS
CHAIR

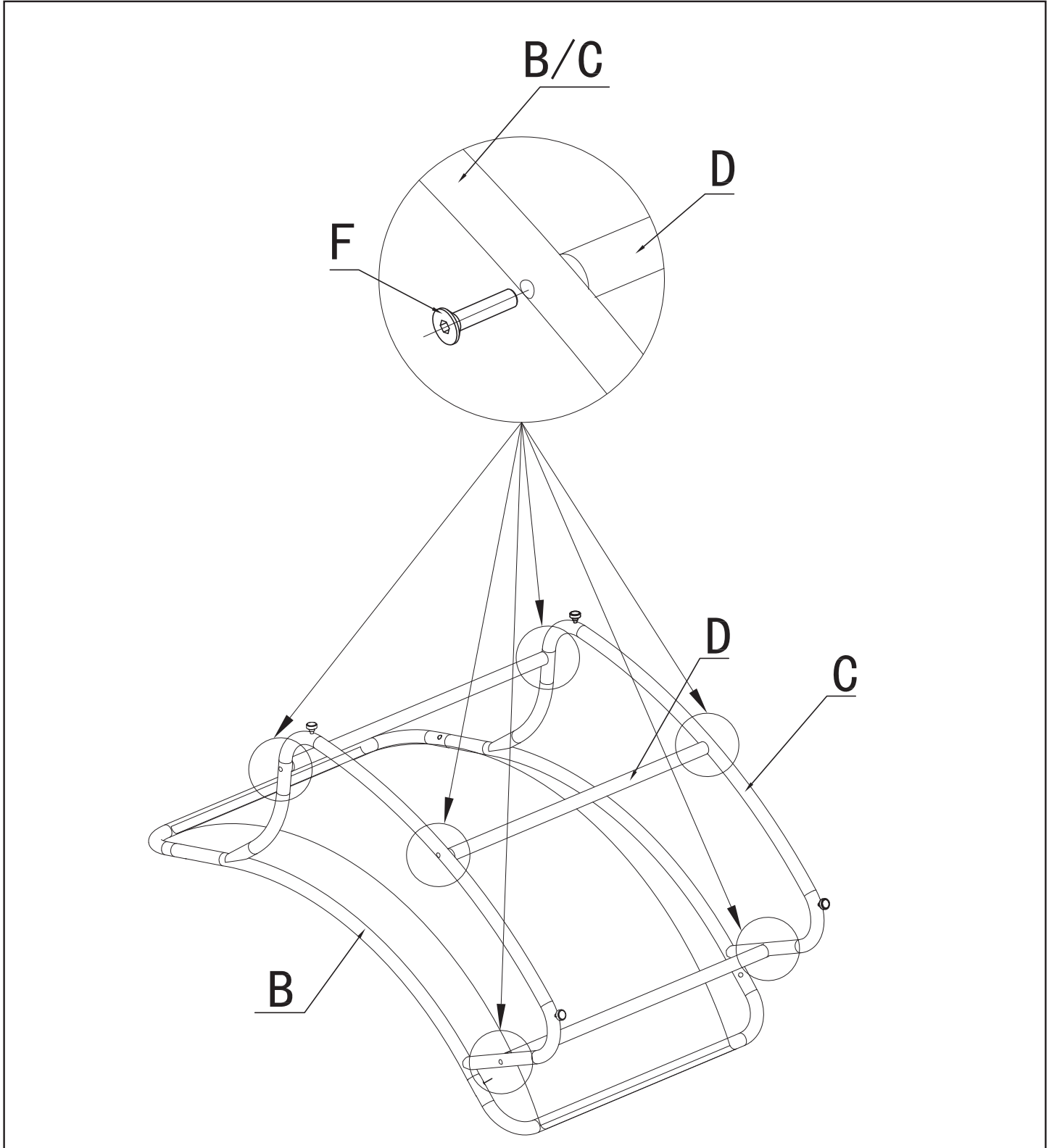
Step 1:



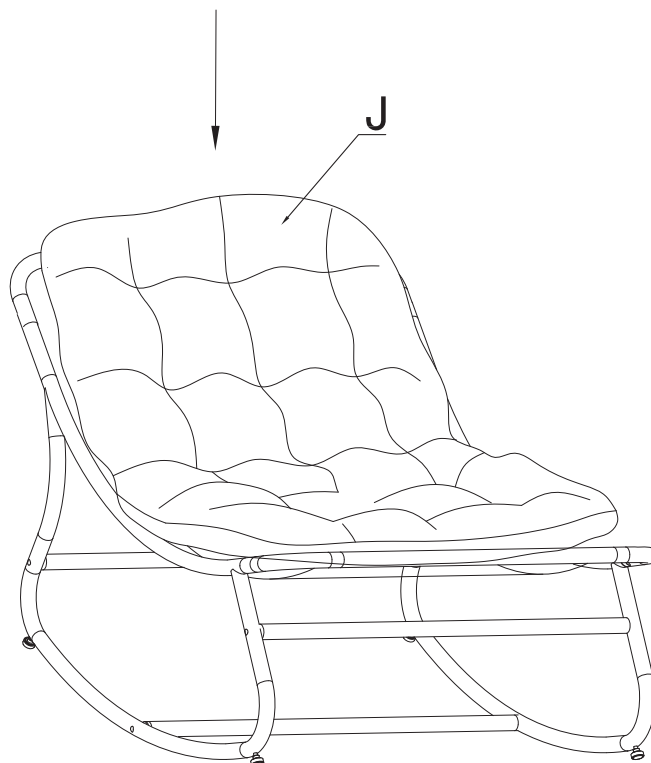
Step 2:



Step 3:



Step 4:



CARE INSTRUCTIONS

- To clean, wipe with a sponge and warm soapy water then wipe with a dry, clean cloth. Do not use solvent based cleaners or detergents as these will damage the look of the product.
- Never use a pressure hose or washer to clean the product. Never use scourers, abrasives or chemical cleaners.
- Store the product in a cool, dry place. Before storage ensure that the product is clean and dry.
- Please note, the cushions are not waterproof and should not be left out in the rain.
- Please store the cushions in a cool, dry place when not in use.
- Please keep away from sources of extreme heat and naked flames.
- Avoid sharp objects as these can damage or scratch the product.
- Leaving the product exposed to weather, especially direct sun, rain and salt air, will speed the weathering process. This can be slowed by removing the product from these conditions or covering it with a suitable cover.

CONTACT

CUSTOMER SERVICES - EMAIL: CUSTOMER.SERVICE@DOBBIES.COM. TELEPHONE NUMBER: 0131 561 6406 OR CONTACT YOUR LOCAL STORE.
DOBBIES GARDEN CENTRES LTD, MELVILLE NURSERY, LASSWADE, MIDLOTHIAN, EH18 1AZ