



# Alexander Rose

## Alexander Rose Assurance of Quality

Thank you for choosing to buy Alexander Rose Garden Furniture. We are confident that you will be pleased with the quality of the product. To ensure that the highest standards are maintained, please let us know if you have any questions or problems with your purchase.

For more information  
please visit our website: [www.alexander-rose.co.uk](http://www.alexander-rose.co.uk)  
or email: [sales@alexander-rose.co.uk](mailto:sales@alexander-rose.co.uk)

### Please retain these instructions for further use.

## Assembly Instructions

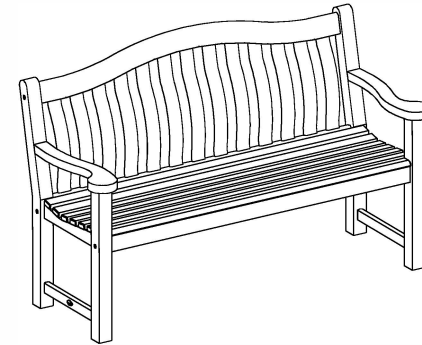
ARL 132 & 114

Roble Turnberry Bench 5ft

493433



## Alexander Rose



Document Ref: ARL- 114&132 (08/03/2023)

### Please retain these instructions for further use.

#### Product Information

Your furniture is manufactured using **roble**. This is a  **durable hardwood**, able to resist the most inclement weather. This product has a life span in excess of two or more if properly looked after. Due to timber being a natural material, joints will become slightly offset and surface cracks will occur. Depending on the climactic conditions when your furniture is outside, this can happen within only a few hours and will not compromise the strength of the furniture. Timber, even from the same tree, will vary in many aspects. The variation in colour is just one distinguishing feature of this product.

#### Maintenance

Your furniture can be cleaned using soapy water and a stiff brush. Allow it to dry fully before the application of any timber treatment. More severe stains such as spillages, bird droppings and mildew can be removed using our cleaner, which is available from Alexander Rose stockists. From time to time it is necessary to check and if required, re-tighten all bolts.

#### Treatment Options

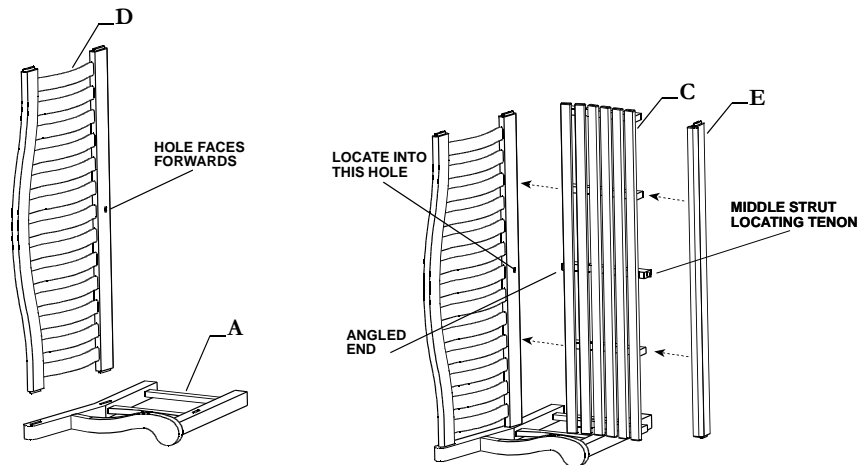
Untreated, your furniture will eventually mellow to an attractive soft silver grey. The time span for this will vary depending on weather conditions and its location in the garden. You can also treat your furniture with the Alexander Rose range of timber care products. Timber Cleaner will clean & brighten weathered timber. Timber Treatment protects the natural look of the timber by enhancing its appearance. Timber Sealer will ensure the best possible protection against grime and weathering. A light sanding after the application of Timber Cleaner will ensure a silky smooth finish to the timber. These products are all available from your local Alexander Rose stockist and are suitable for hardwoods. A fact sheet is also available upon request.

Code	Description	Qty
A	Left Hand End	1
B	Right Hand End	1
C	Seat	1
D	Back Rest	1
E	Front Rail	1
F	M6x80mm Allen Bolts	6
G	Screws (M4x40)	4
H	Allen Key	1

Please identify and count components as shown in the table. In the unlikely event that any components are missing or damaged, please contact the retailer where you purchased this product.

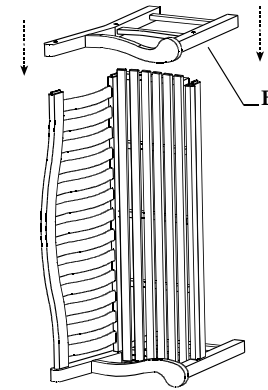
1. Attach the left hand end to the back assembly.

2. Locate the front rail with the locating tenon & fix into place with the 80mm Allen Bolts.

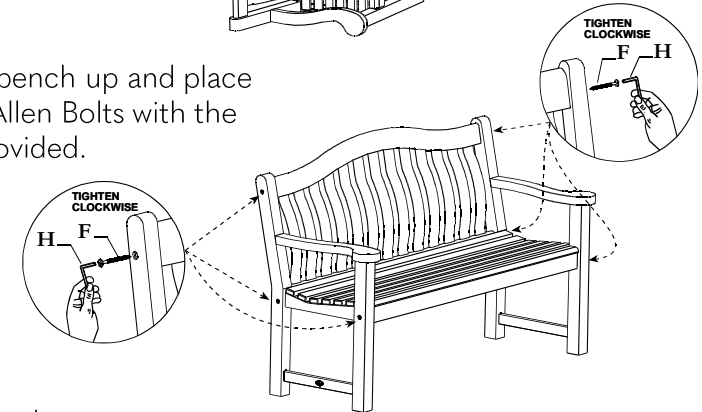


**IMPORTANT: DO NOT TIGHTEN ALL BOLTS UNTIL FRONT RAIL HAS BEEN LOCATED.**

3. Attach the right hand end.



4. Stand the bench up and place the 80mm. Allen Bolts with the Allen Key provided.



5. Flip the bench over. Tighten all Allen bolts to bring the side Frame tight to the Seat & Back assembly. Tilt the Bench on end for easier locating for the 40mm Screws.

