



## Alexander Rose

Alexander Rose Assurance of Quality

Thank you for choosing to buy Alexander Rose Garden Furniture.

We are confident that you will be pleased with the quality of the product. To ensure that the highest standards are maintained, please let us know if you have any questions or problems with your purchase.

For more information  
please visit our website: [www.alexander-rose.co.uk](http://www.alexander-rose.co.uk)  
or email: [sales@alexander-rose.co.uk](mailto:sales@alexander-rose.co.uk).

**Please retain these instructions for further use.**

### Assembly Instructions

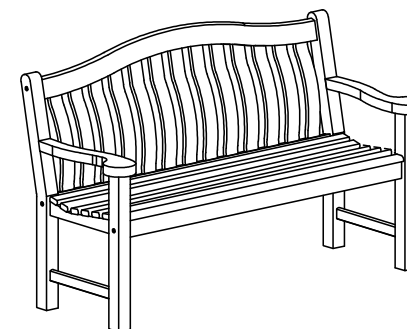
360353 | 332R/322R

Redcliffe Turnberry

Bench 5ft



Alexander Rose



**This product is heavy, take care when lifting.**

**Please read before using this product.**

The Forest Stewardship Council was established in 1993 as a response to concerns over global deforestation, FSC is widely regarded as one of the most important initiatives of the last decade to promote responsible forest management worldwide. FSC has a certification system that provides internationally recognized standard-setting, trademark assurance and accreditation services to companies, organizations, and communicators.

#### Product Information

Your furniture is manufactured using plantation grown Acacia from South East Asia. Acacia is a moderately durable hardwood able to resist the most inclement weather, giving a life span in excess of ten years plus if properly looked after. It is therefore well suited for garden furniture. Due to the weathering process and timber being a natural material, joints will become slightly offset and surface cracks will appear especially on exposed end grain where even larger splits will occur. Depending on the climatic conditions when your furniture is put outside, this can happen within only a few hours and will not compromise the strength of the furniture, which is designed with this in mind. Your furniture is treated with an ultra-violet sealer to give added protection against the harmful rays of the sun and the general weathering process. We recommend the storage of your furniture in a dry area during winter months.

**Please Note:** Colour variation is one of the natural characteristics of Acacia. Due to the small diameter of the raw material some components within this product will be made up from laminations, this will not affect the strength or durability of the furniture.

#### Maintenance

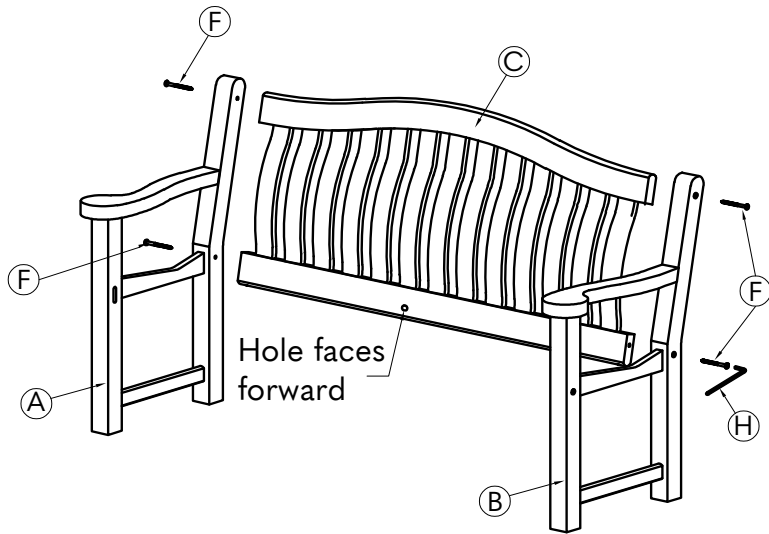
Your furniture is supplied pre-treated with oils and a sealer, this can be cleaned using soapy water and a stiff brush. Untreated it will eventually mellow to an attractive soft silver grey. The time span for this will vary depending on weather conditions and its location within the garden. Should you wish, renovation can be carried out by cleaning with ARL cleaner and lightly sanding, any lifting grain or cracks can be glued using a damp cloth. The area should be sanded once the glue is dry. To bring your furniture back to its original appearance treatment with ARL timber treatment and sealer will be required, these products are available from your local stockist along with a range of other after care products.

**From time to time it is necessary to check and if required, re-tighten all screws.**

Code	Description	Qty
A	Left Side Frame	1
B	Right Side Frame	1
C	Back Assembly	1
D	Seat Assembly	1
E	Front Rail	1
F	Allen Screw (M7x90mm)	6
G	Wood Screw (No.4x35mm)	4
H	Allen Key 4mm	1

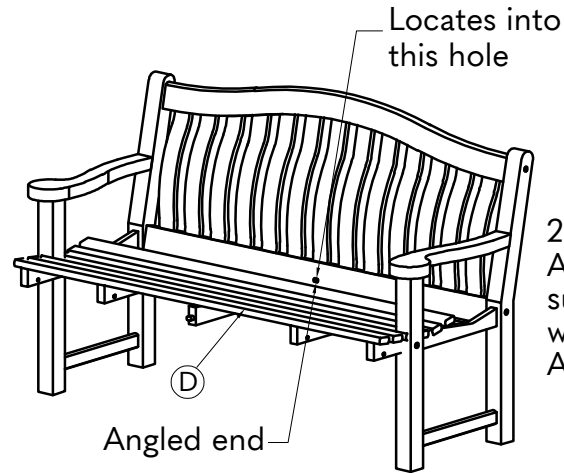
Please identify and count components as shown in the table. In the unlikely event that any components are missing or damaged, please contact the retailer where you purchased this product.

1. Attach the Side Frames (A, B) to the Back Assembly (C) using the 90mm Allen Screws (F) & the Allen Key (H) provided. Make sure that the hole in the centre of the Back Assembly is facing forward.



**IMPORTANT: DO NOT TIGHTEN ALL SCREWS UNTIL FRONT RAIL HAS BEEN LOCATED**

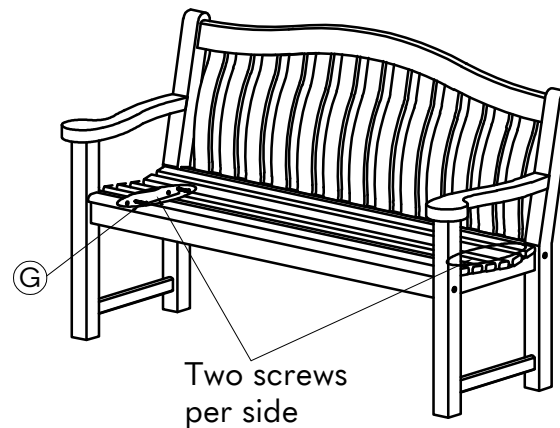
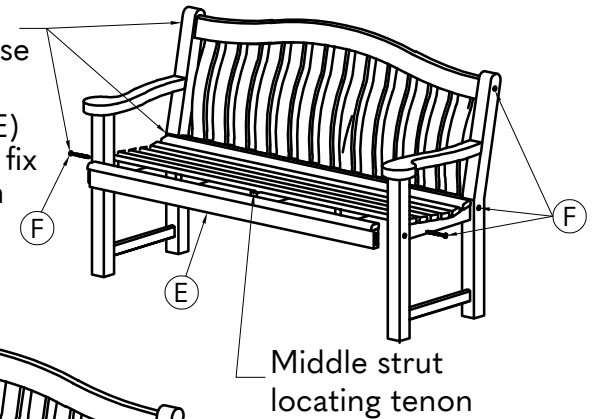
If allen screws are hard to insert, use a little candle wax on the thread of the allen screws for easier tightening.



2. When fixing the Seat Assembly (D) in place, make sure the angled side locates with the hole in the Back Assembly.

Tighten clockwise

3. Locate the Front Rail (E) with the locating tenon & fix into place with the 90mm Allen Screws.



4. Tighten all Allen Screws to bring the Side Frame tight to Seat & Back Assembly. Tilt the Bench on end for easier locating for the 35mm Wood screws (G).