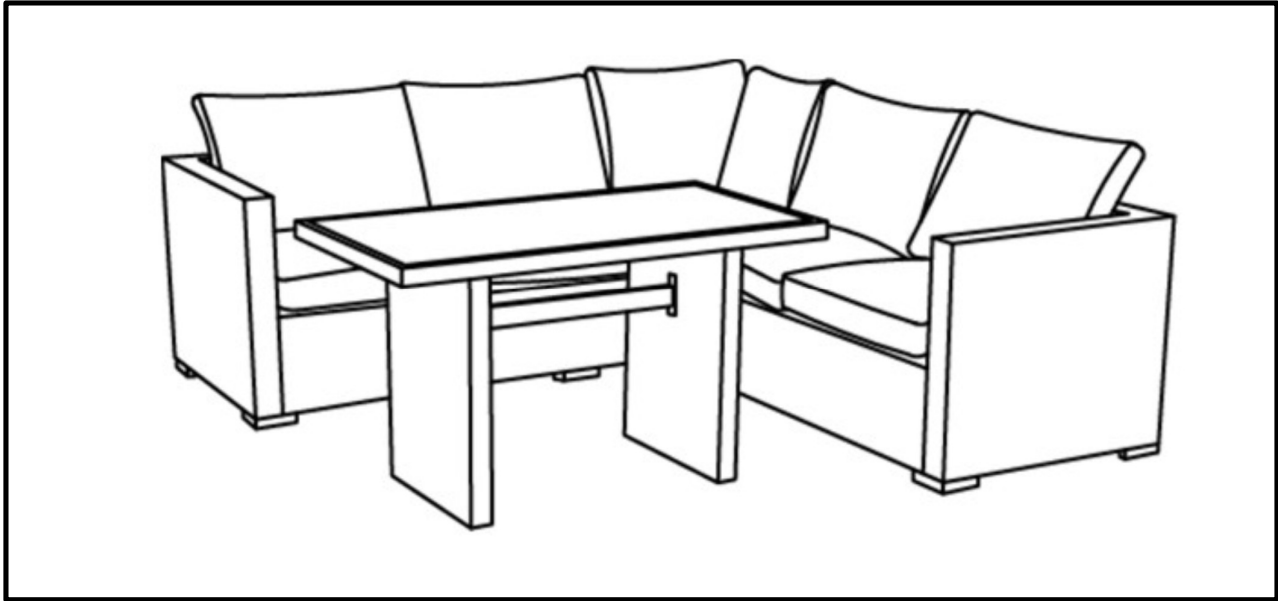


MILO SOFA SET LARGE

360345



BEFORE YOU START




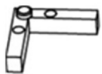

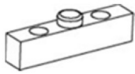



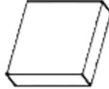
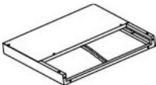
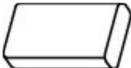
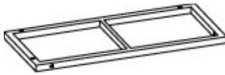



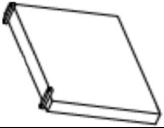
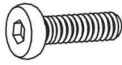


- Retain these instructions for future reference.
- When you are ready to start, make sure that you have plenty of space and a clean, dry area for assembly.
- Unwrap all packaging materials and place the components on top of the carton box or on a clean floor to prevent it from scratching.
- Check the pack and make sure you have all the parts listed.
- Ensure that this product is fully assembled as illustrated before use.

WARNINGS

- This product should only be used on firm, level ground.
- Do not sit or stand on the table. Do not stand on the sofa.
- Make sure the legs remain in contact with the ground. Adjust the feet levellers as required to ensure the item doesn't move in case of un-even surface.
- Keep small parts out of reach of children.
- This product is for domestic use only.
- This product is intended for a maximum weight of 110Kg per seat. Do not exceed this weight.
- Do not tighten screws until fully assembled.
- Do not use this product if parts are missing, damaged or worn.
- Check all screws or bolts are tightened and inspect regularly.
- Do not overtighten screws or bolts.

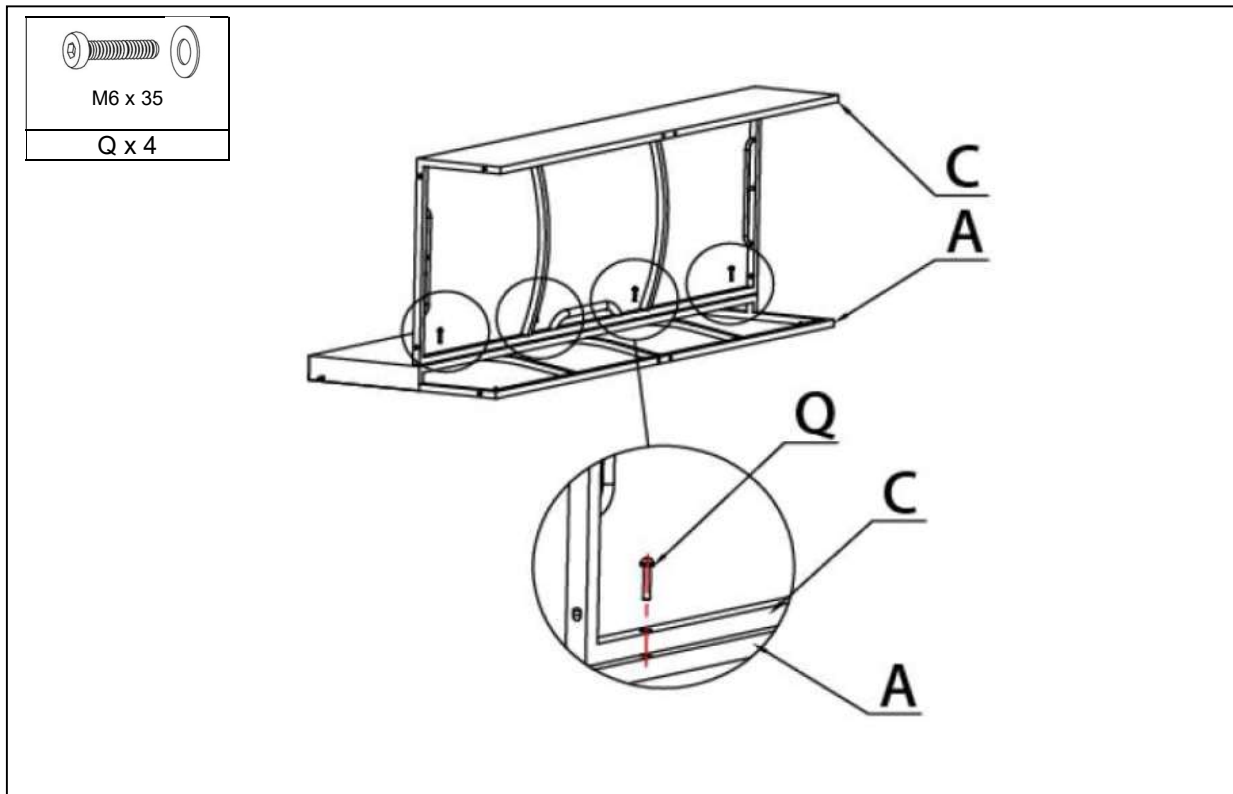
ASSEMBLY INSTRUCTIONS

PARTS SUPPLIED

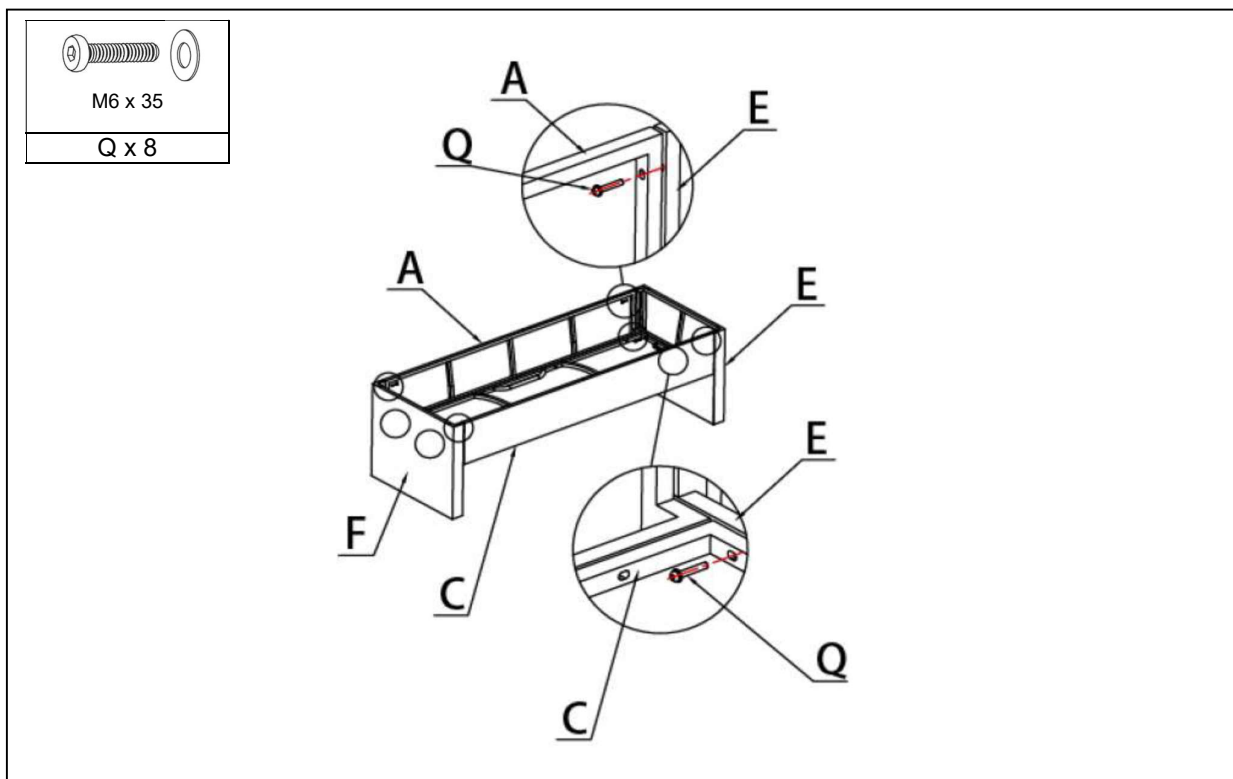
REF	DESCRIPTION	ILLUSTRATION	QTY	REF	DESCRIPTION	ILLUSTRATION	QTY
A	3 Seat Back		1	K	Glass		1
B	2 Seat Back		1	L	Foot Pad		8
C	3 Seat		1	M	Foot Pad		2
D	2 Seat		1	N	Corner Back Cushion		1
E	3 Seat Arm		1	O	Seat Cushion		5
F	2 Seat Arm		2	P	Back Cushion		5
G	2 Seat Side		1	Q	Bolts M6x35 + Washer		24
H	Tabletop		1	R	Bolts M6x15 + Washer		12
I	Table Leg		2	S	Bolts M6x25		20
J	Table support		1	T	Allen Key		1

ASSEMBLY IMAGES & STEPS

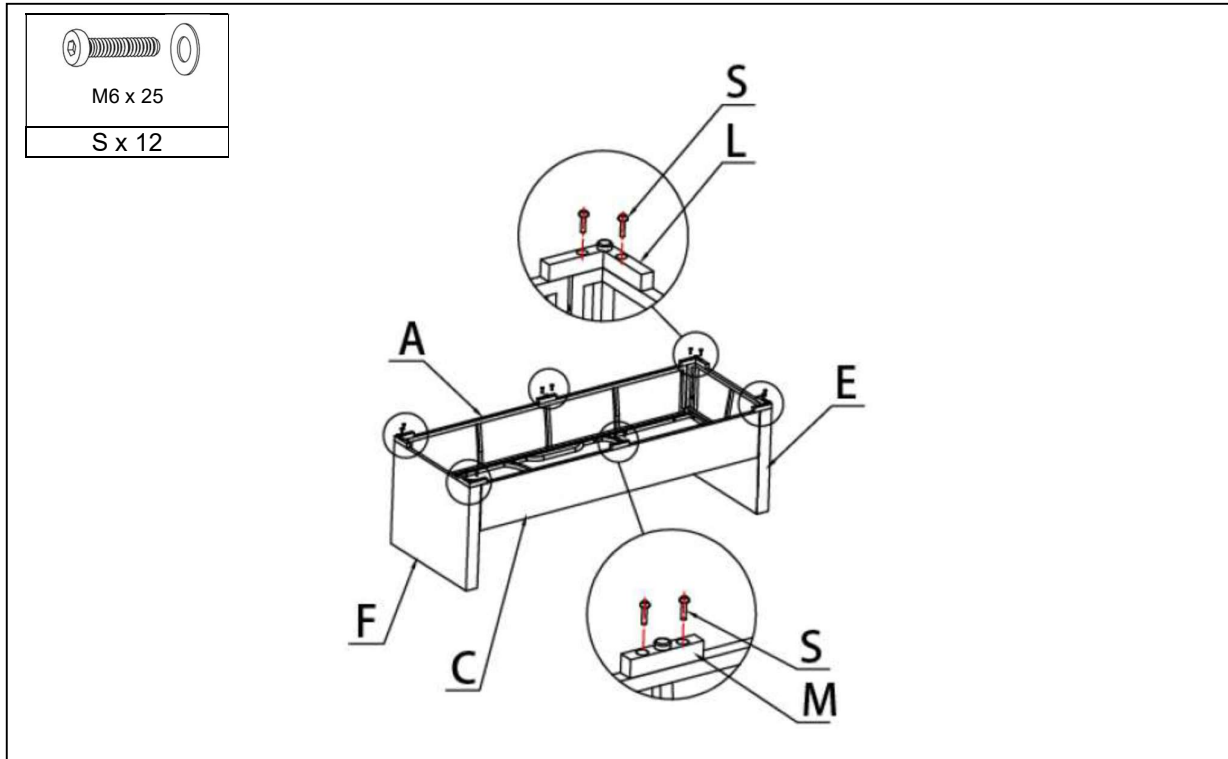
Step 1



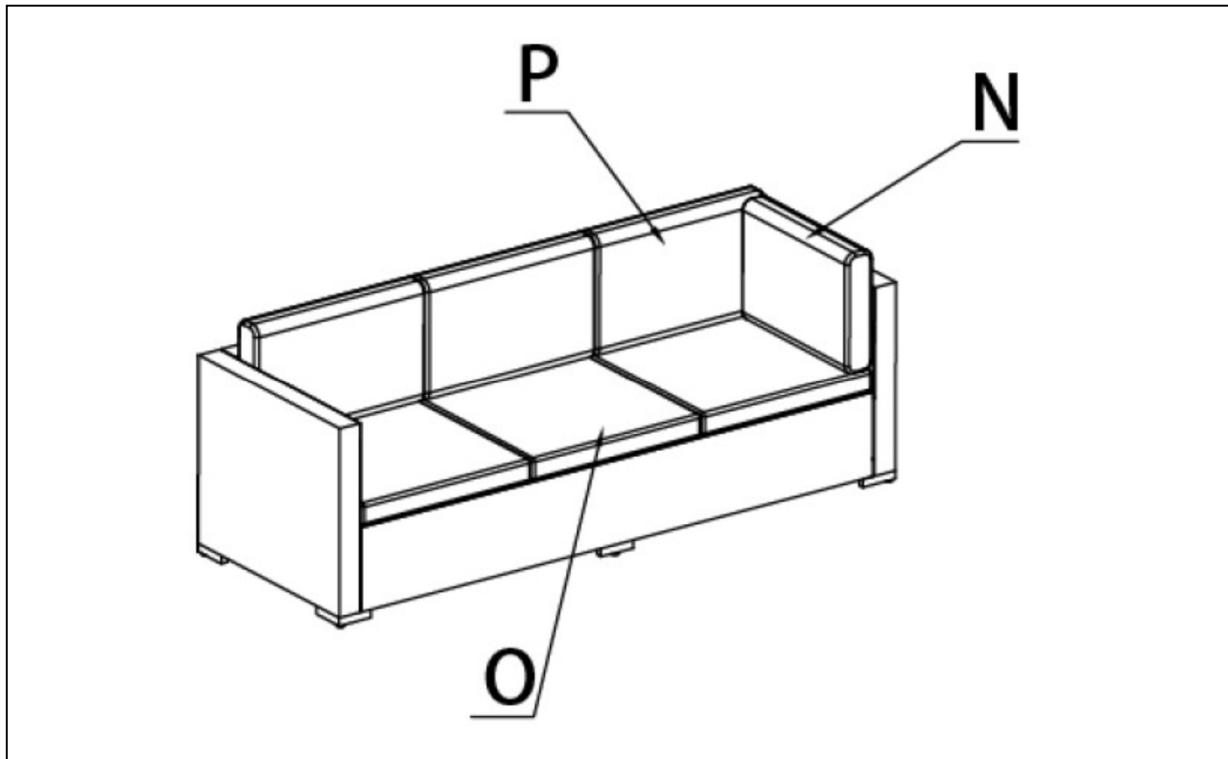
Step 2



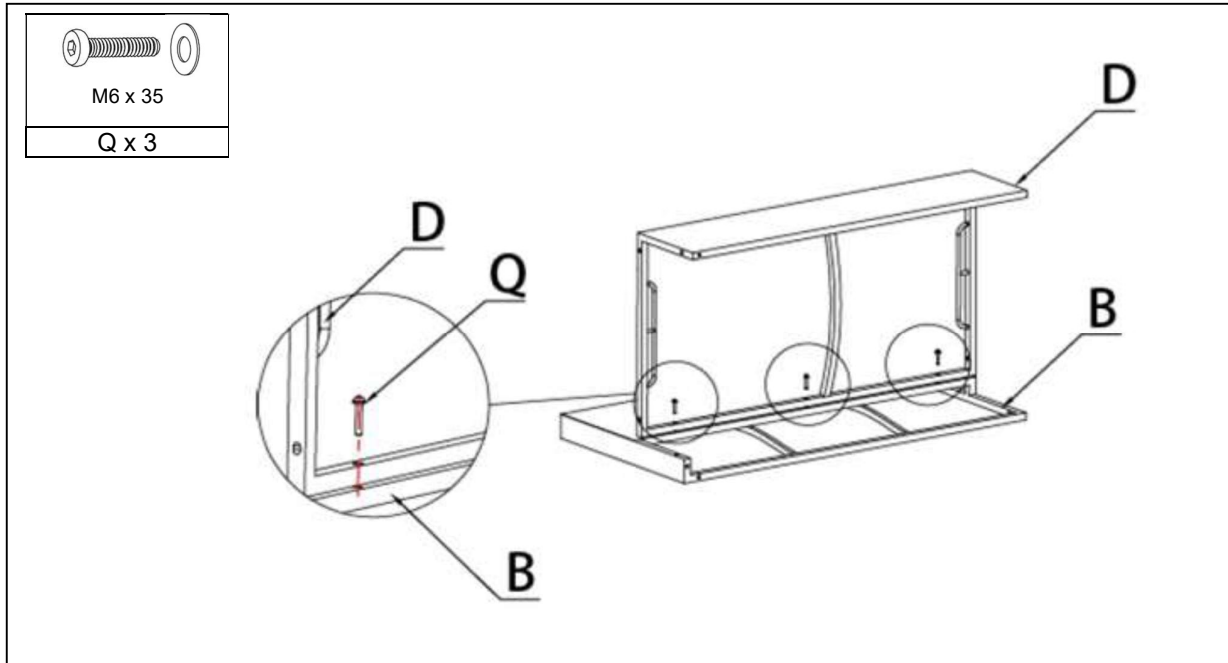
Step 3



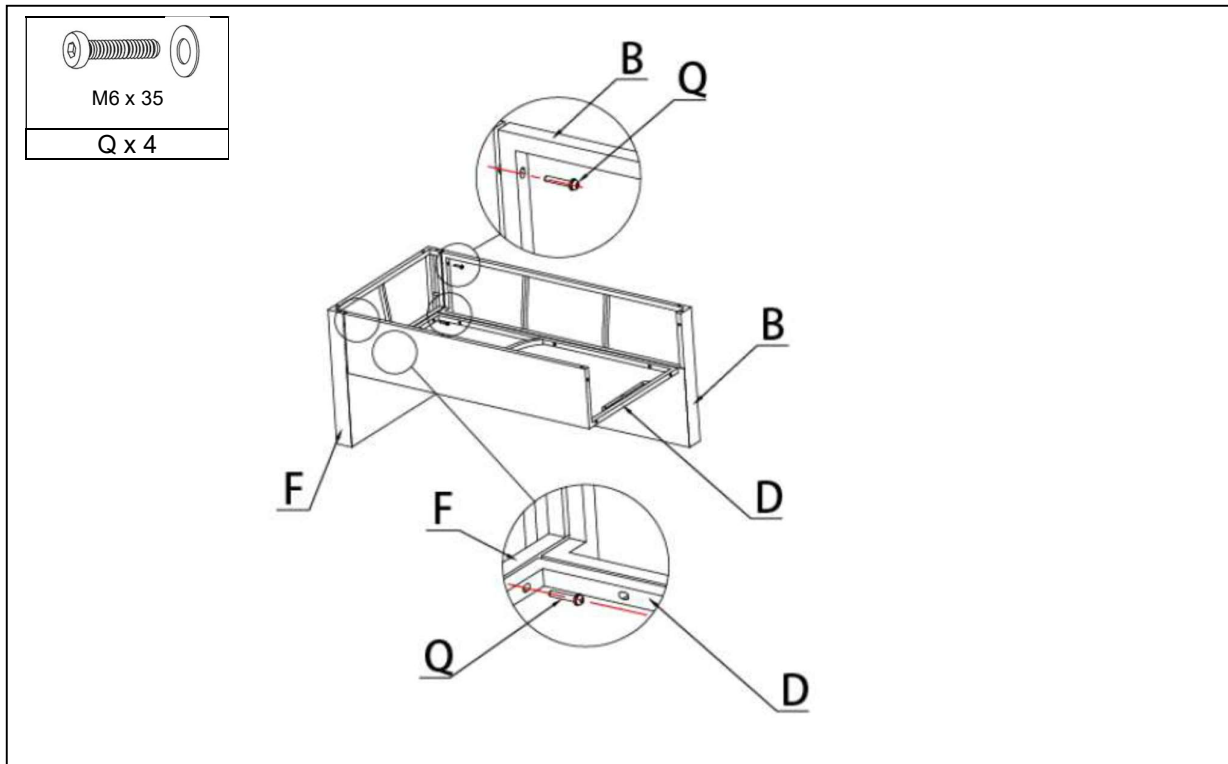
Step 4



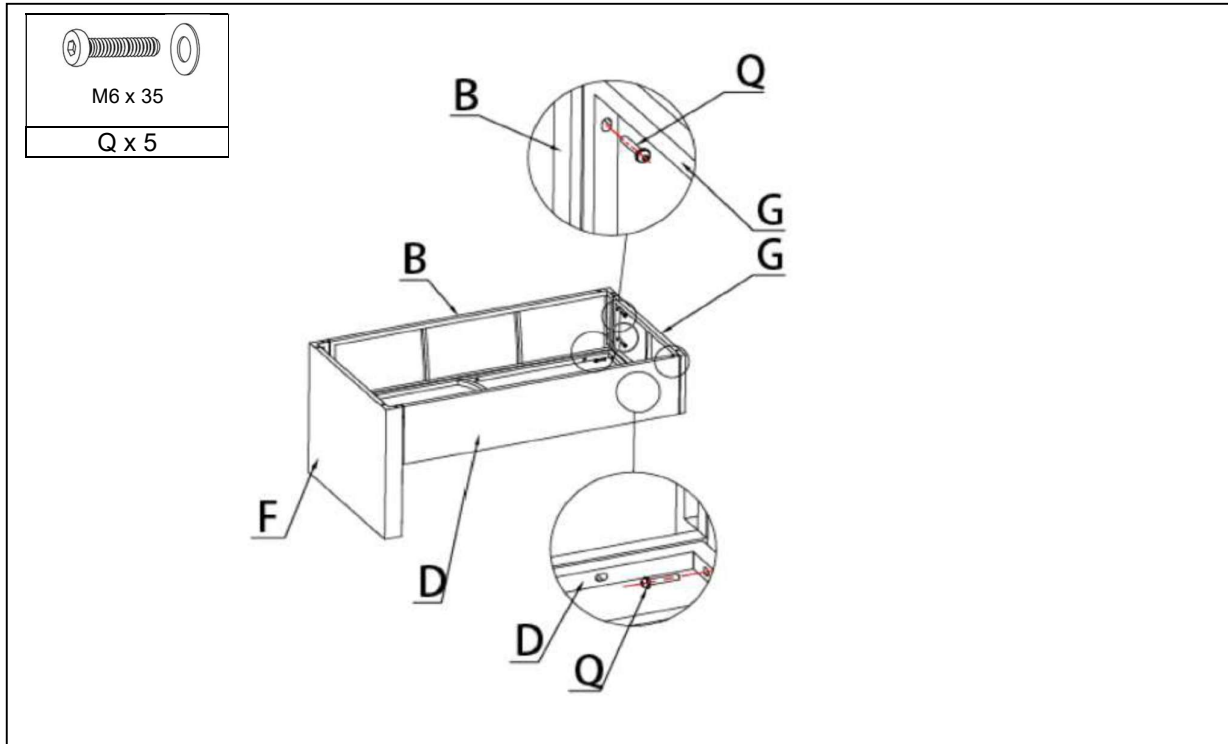
Step 5



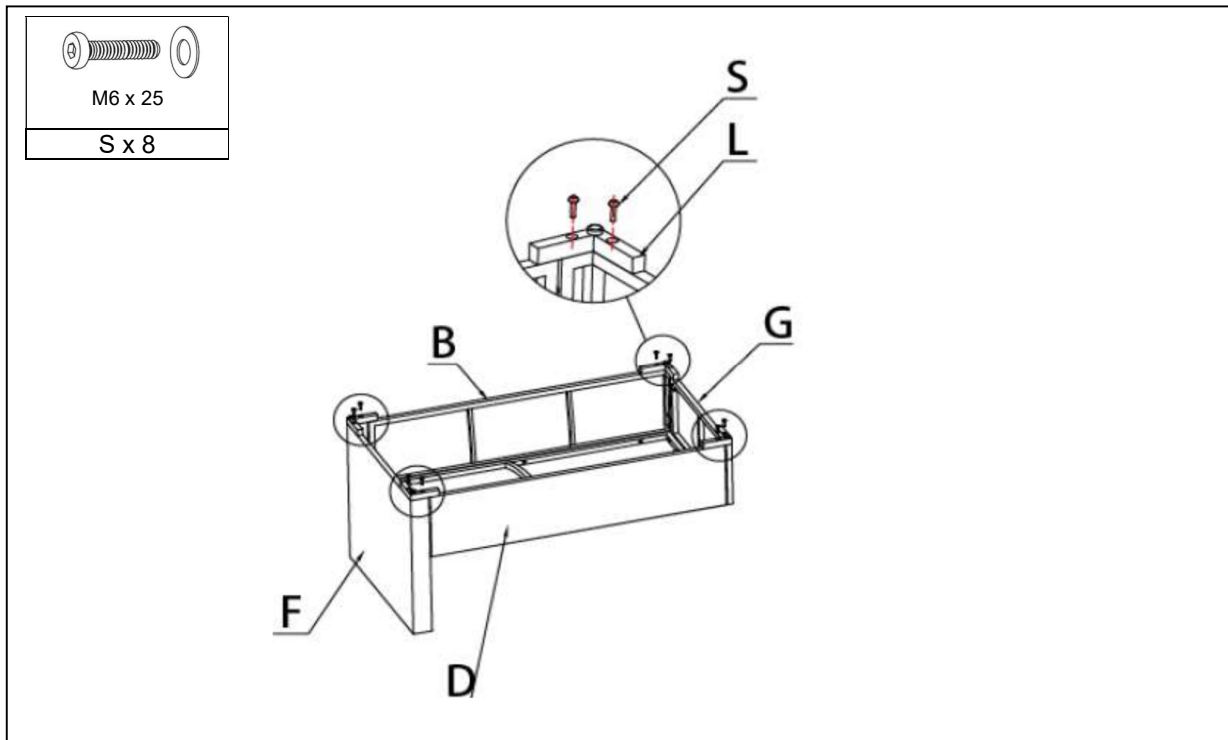
Step 6



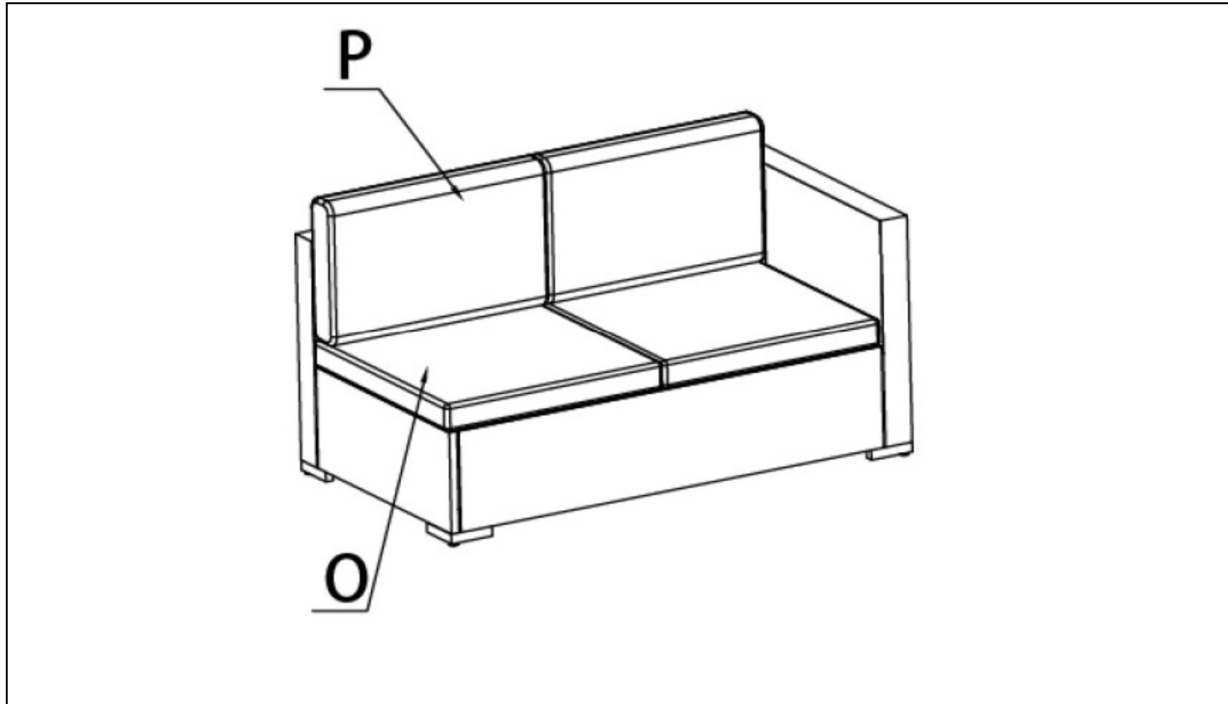
Step 7



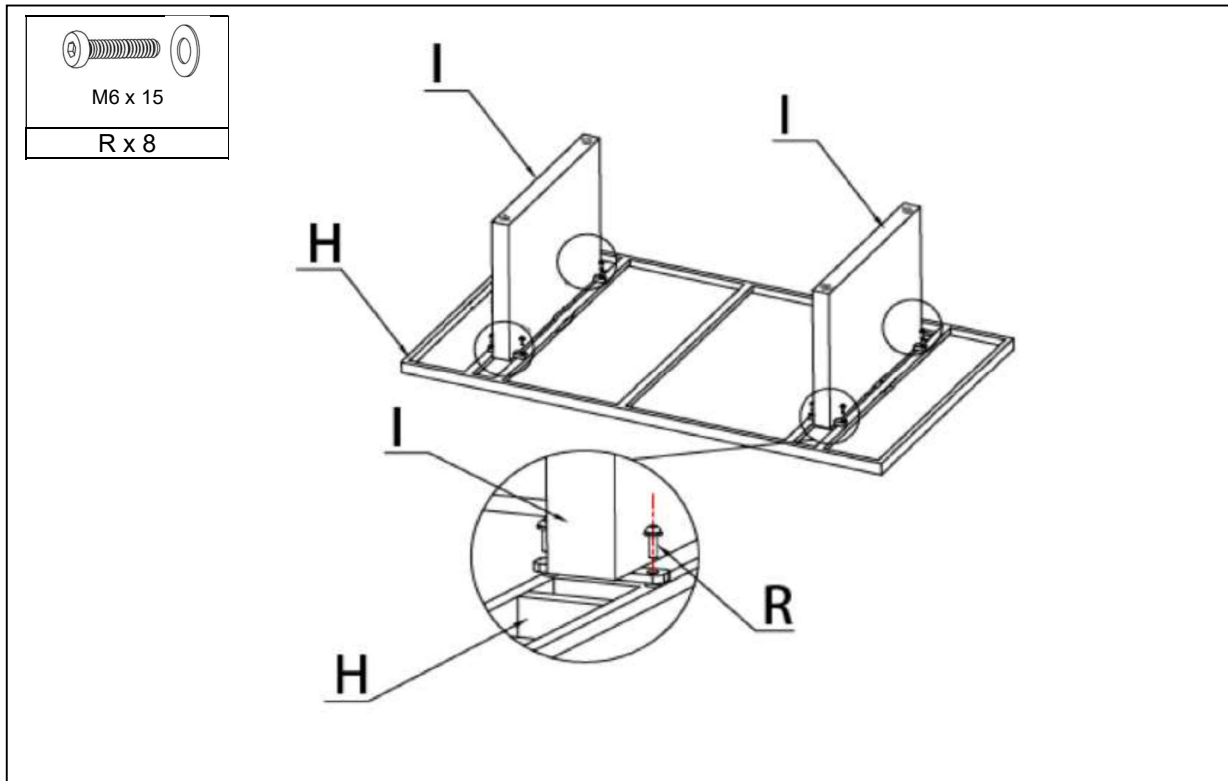
Step 8



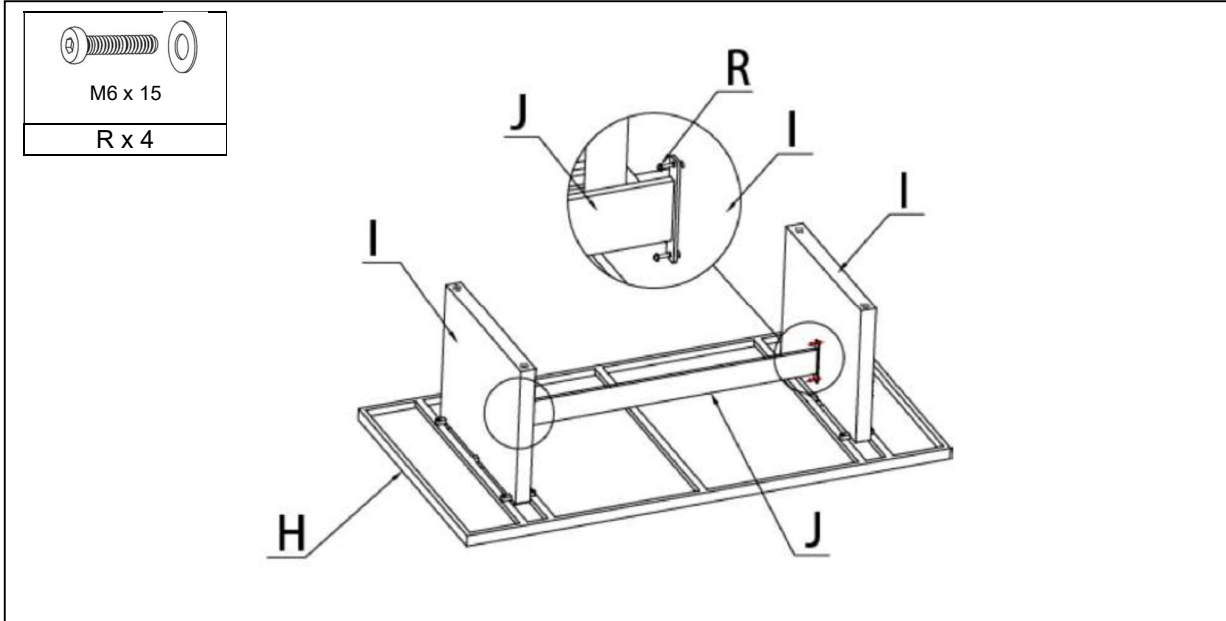
Step 9



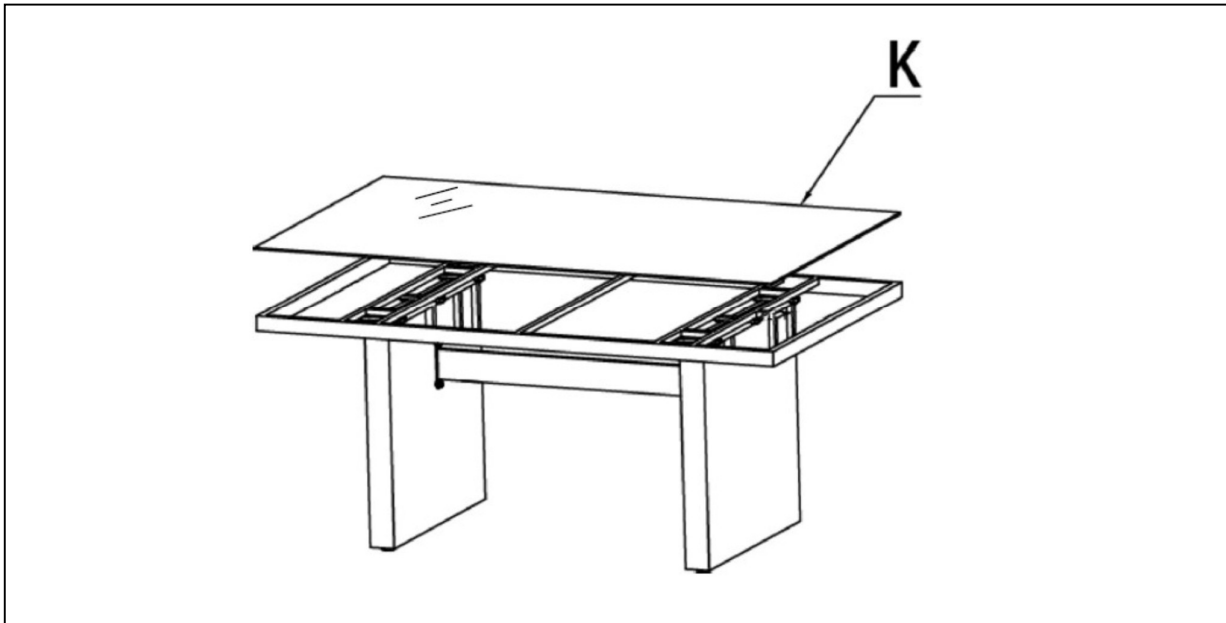
Step 10



Step 11



Step 12



CARE INSTRUCTIONS

- To clean wipe with a sponge and warm soapy water then wipe with a dry, clean cloth. Do not use solvent-based cleaners or detergents as they can bleach or damage the product.
- Never use a pressure hose or washer to clean the product. Never use scourers, abrasives or chemical cleaners.
- Store the product in a cool, dry place. Before storage ensure that the product is clean and dry. We recommend the use of furniture covers to protect your product when not in use.
- Please note, the cushions are not waterproof and should not be left out in the rain.
- Please store the cushions in a cool, dry place when not in use.
- Please keep away from sources of extreme heat and naked flames.
- Periodically check all fixings to ensure none have come loose and re-tighten when necessary.
- Avoid sharp objects as these can damage or scratch the product.
- During bad weather and winter months, bring product indoors where possible or use a breathable furniture cover