

### Alexander Rose Assurance of Quality

Thank you for choosing to buy Alexander Rose Garden Furniture. We are confident that you will be pleased with the quality of the product. To ensure that the highest standards are maintained, please let us know if you have any questions or problems with your purchase.

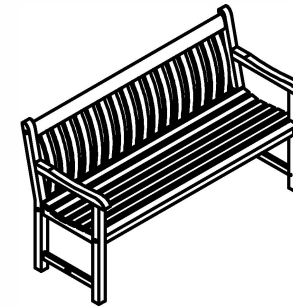
For more information  
please visit our website: [www.alexander-rose.co.uk](http://www.alexander-rose.co.uk)  
or email: [sales@alexander-rose.co.uk](mailto:sales@alexander-rose.co.uk).

**PLEASE RETAIN THESE ASSEMBLY INSTRUCTIONS  
FOR FURTHER REFERENCE**

Assembly Instructions  
Cornis: ARL 334B/335B  
Broadfield Bench 4FT  
988681



ALEXANDER ROSE



This product is heavy, take care when lifting



Document Ref ARL- 334B/335B 25-03-16

**READ IN FULL BEFORE USING THIS PRODUCT**

#### **Product Information**

Your furniture is manufactured using a durable hardwood, able to resist the most inclement weather. Giving it a long life span of ten years if properly treated, and therefore suited for garden furniture.

#### **Maintenance**

Due to the weathering process & timber being a natural material, joints will become slightly offset & surface cracks will occur. Depending on the climatic conditions when your furniture is outside, this can happen within only a few hours & will not compromise the strength of the furniture, which is designed with this in mind. Using Alexander Rose timber care products will to an extent, reduce the cracks & splits. Timber, even from the same tree, will vary in many aspects. Lifting grain or cracks can be glued using a waterproof adhesive suitable for timber. Clamping may be necessary with excess glue being removed using a damp cloth. The area should be sanded once the glue is dry.

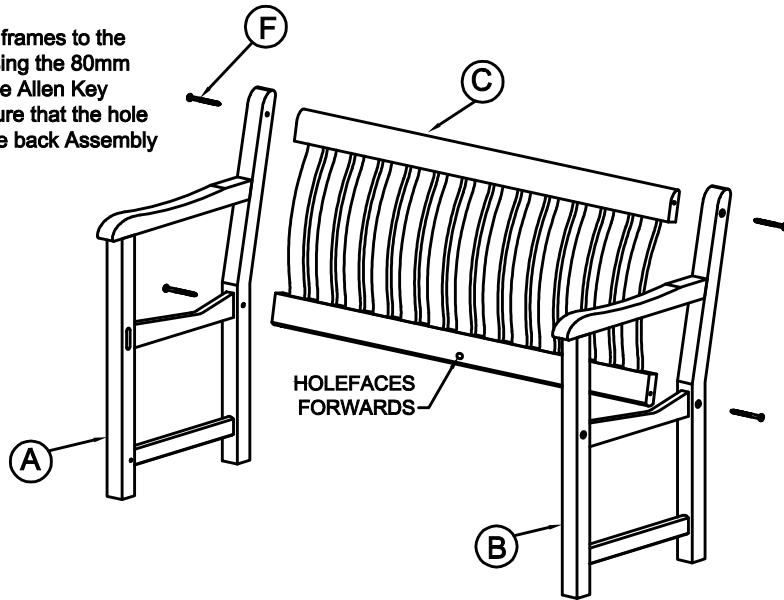
If you wish to treat your Cornis furniture, we recommend using our Cornis Oil, affected areas can be sanded using medium grade sand paper, and the Cornis oil applied, please follow instruction on bottle. Cornis Oil is available from all Alexander Rose Stockists.

From time to time it is necessary to check and if required, re-tighten all bolts.

Code	Description	Qty
A	Left Side Frame	1
B	Right Side Frame	1
C	Back Assembly	1
D	Seat Assembly	1
E	Front Rail	1
F	Allen Screws (7x80mm)	6
G	Woodscrews (4x35mm)	4
H	Allen Key (4mm)	1

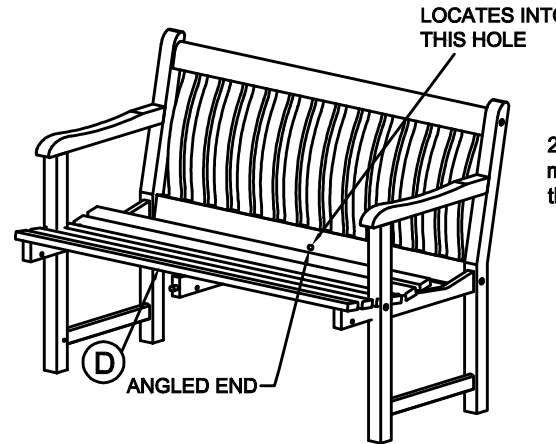
Please identify and count components as shown in the table. In the unlikely event that any components are missing or damaged, please contact the retailer where you purchased this product.

1. Attach the side frames to the back assembly using the 80mm Allen Screws & the Allen Key provided. Make sure that the hole in the centre of the back Assembly is facing forward

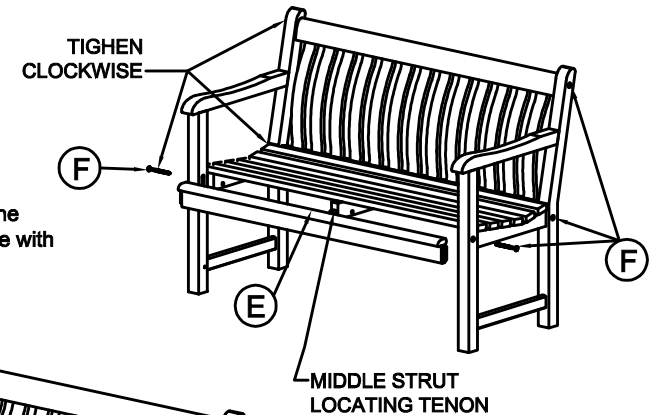


**IMPORTANT; DO NOT TIGHTEN ALL SCREWS UNTIL FRONT RAIL HAS BEEN LOCATED**

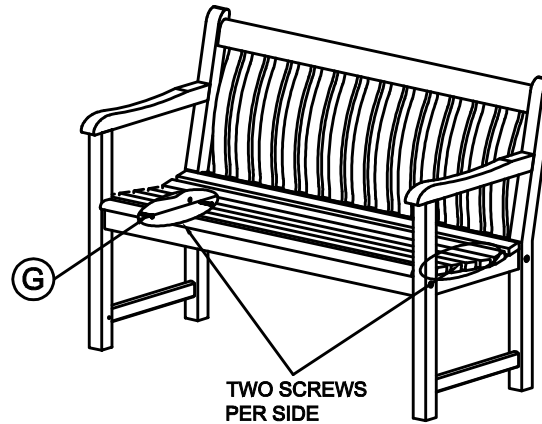
IF ALLEN SCREWS ARE HARD TO INSERT, USE A LITTLE CANDLE WAX ON THE THREAD OF THE ALLEN SCREWS FOR EASIER TIGHTENING



2. When fixing the seat assembly in place, make sure the angled side locates with the hole in the back assembly.



3. Locate the front rail with the locating tenon & fix into place with the 80mm Allen Screws .



4. Tighten all Allen Screws to bring the side Frame tight to Seat & Back assembly. Tilt the Bench on end for easier locating for the 35mm Screws.