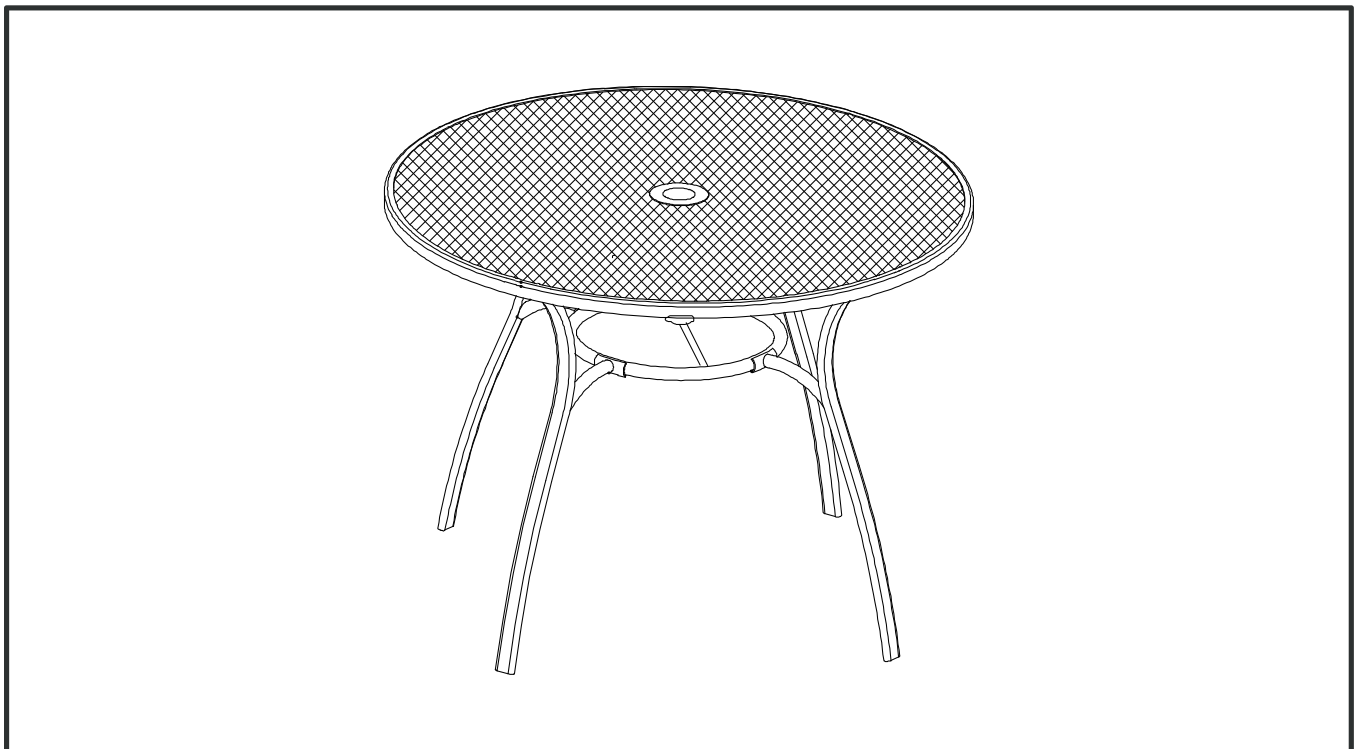
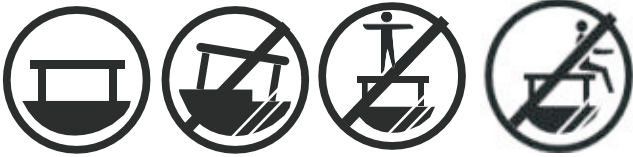


LISBON 4 SEAT SET TABLE GREEN 363492



BEFORE YOU START

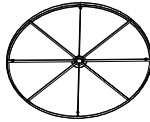

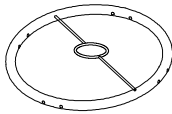
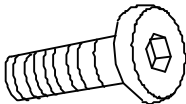
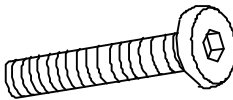
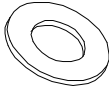

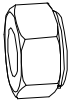

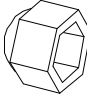
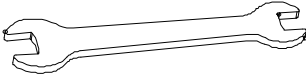

- Retain these instructions for future reference.
- Unwrap all packaging materials and place the components on top of the carton box or on a clean floor to prevent it from scratching.
- Check the pack and make sure you have all the parts listed.
- Do not use power tools to construct this product.
- Ensure that this product is fully assembled as illustrated before use.

WARNINGS

- Do not sit or stand on the table.
- This product should only be used on firm, level ground.
- Make sure the legs remain in contact with the ground.
- Before using the product, make sure all fastenings are tightly in place and that everything is in order, and checked periodically.
- Do not use this product if parts are missing, damaged or worn.
- This product is for domestic use only.
- This table is intended for a maximum weight of 50kg. Do not exceed this weight.

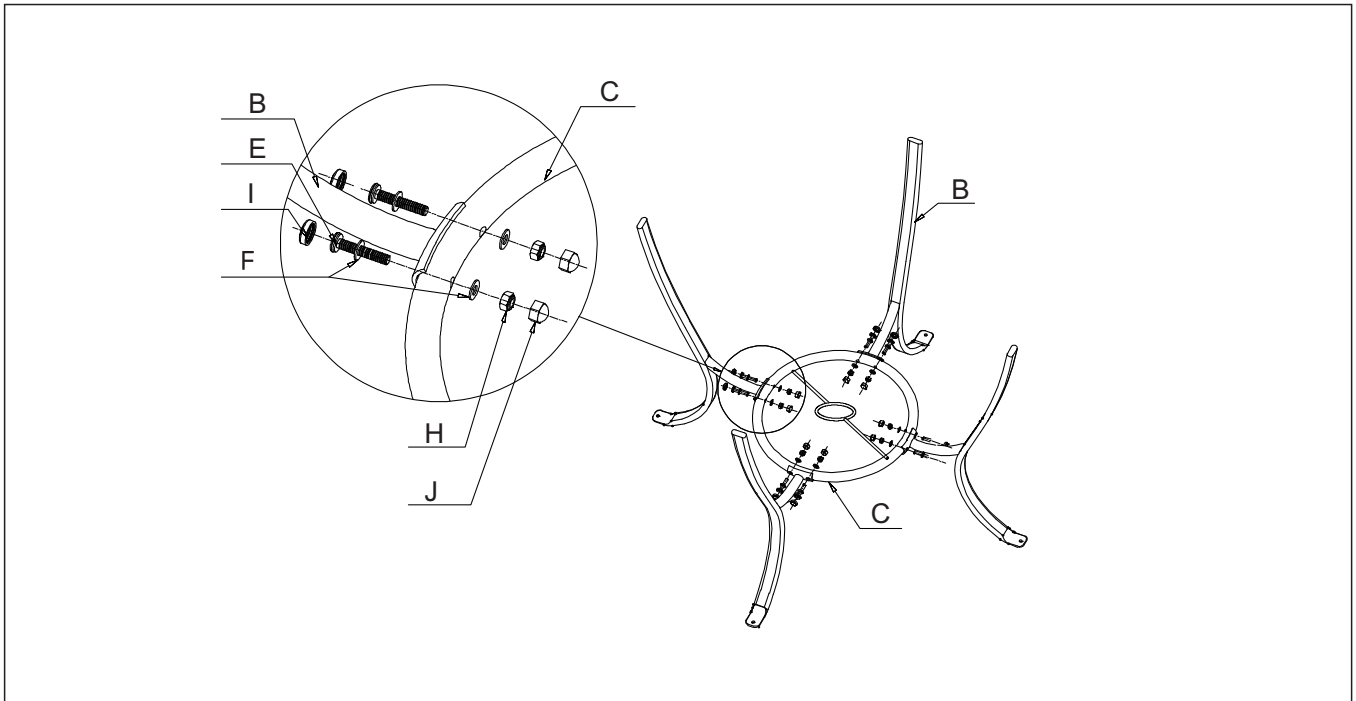
ASSEMBLY INSTRUCTIONS

PARTS SUPPLIED

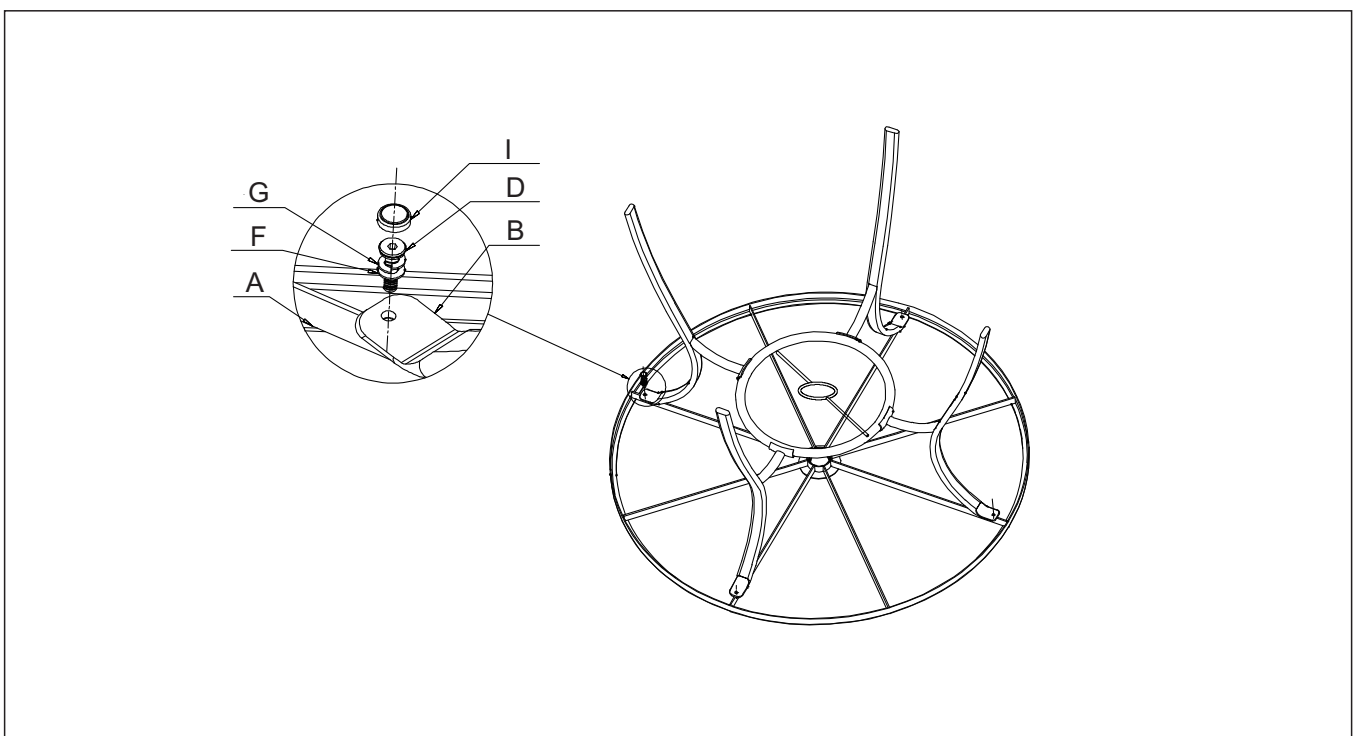
Ref	Description	Illustration	QTY
A	Table top		1
B	Leg		4
C	Support		1
D	M6 x 12mm Bolts		4
E	M6 x 30mm Bolts		8
F	D12 Washers		20
G	D12 Washers		4
H	Nuts		8
I	Plastic cap		12
J	Plastic cap		8
K	Spanner		1
L	Allen key		1

ASSEMBLY IMAGES & STEPS
TABLE

Step 1:



Step 2:



DOBBIES INSTRUCTION MANUAL



Step 3:



CARE INSTRUCTIONS

- To clean, wipe with a sponge and warm soapy water then wipe with a dry, clean cloth. Do not use solvent based cleaners or detergents as these will damage the look of the product.
- Never use a pressure hose or washer to clean the product. Never use scourers, abrasives or chemical cleaners.
- Store the product in a cool, dry place. Before storage ensure that the product is clean and dry.
- Leaving the product exposed to weather, especially direct sun, rain and salt air, will speed the weathering process. This can be slowed by removing the product from these conditions or covering it with a suitable cover.
- Avoid sharp objects as these can damage or scratch the product.
- Please keep away from sources of extreme heat and naked flames.

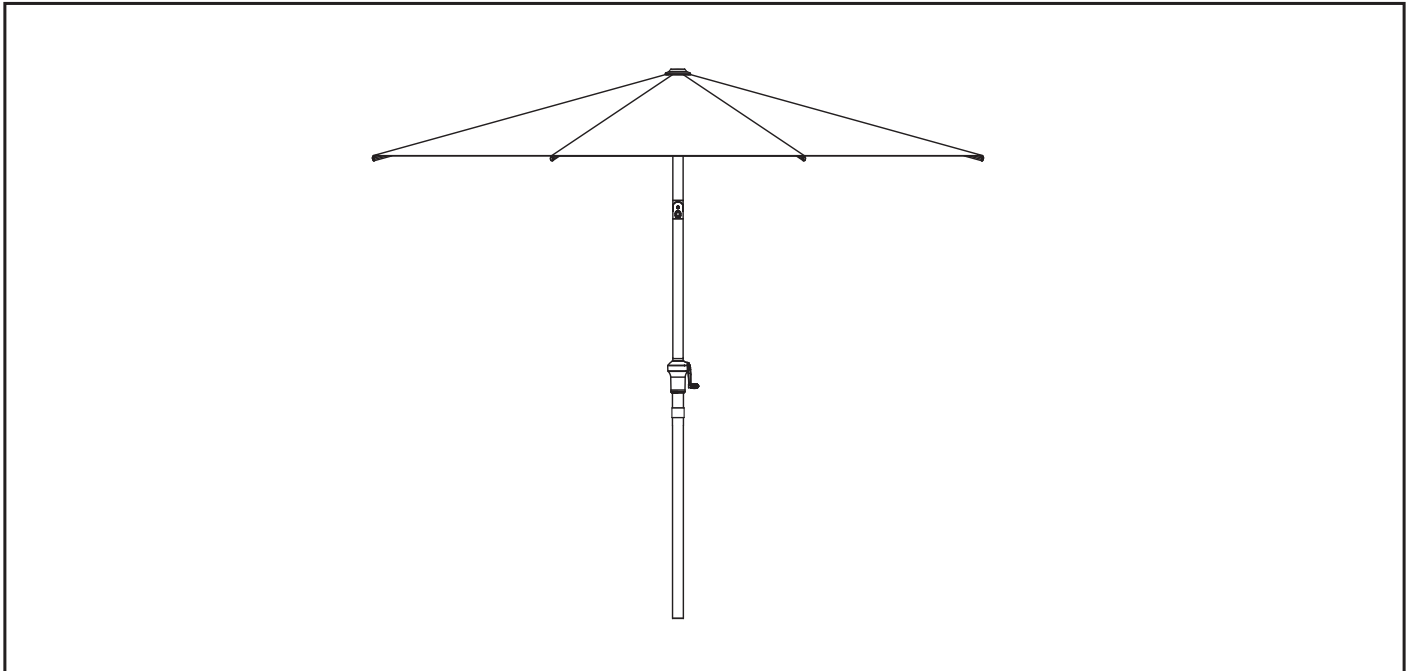
CONTACT

CUSTOMER SERVICES - EMAIL: CUSTOMER.SERVICE@DOBBIES.COM. TELEPHONE NUMBER: 0131 561 6406 OR CONTACT YOUR LOCAL STORE.

DOBBIES GARDEN CENTRES LTD, MELVILLE NURSERY, LASSWADE, MIDLOTHIAN, EH18 1AZ

LISBON 4 SEAT SET PARASOL GREEN

363492



BEFORE YOU START

- Retain these instructions for future reference.
- Unwrap all packaging materials and place the components on top of the carton box or on a clean floor to prevent it from scratching.
- Check the pack and make sure you have all the parts listed.
- Do not use power tools to construct this product.
- Ensure that this product is fully assembled as illustrated before use.

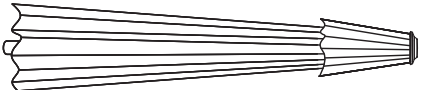
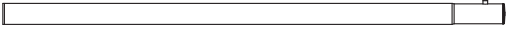
WARNINGS

- This product should only be used on firm, level ground.
- Before using the product, make sure all fastenings are tightly in place and that everything is in order, and checked periodically.
- Do not use this product if parts are missing, damaged or worn.
- This parasol must always be weighed down with a suitable base, even when closed.
- Parasol should not be used in high winds or during inclement weather.
- Do not overtighten the crank handle as this can damage the mechanism.

DOBBIES INSTRUCTION MANUAL



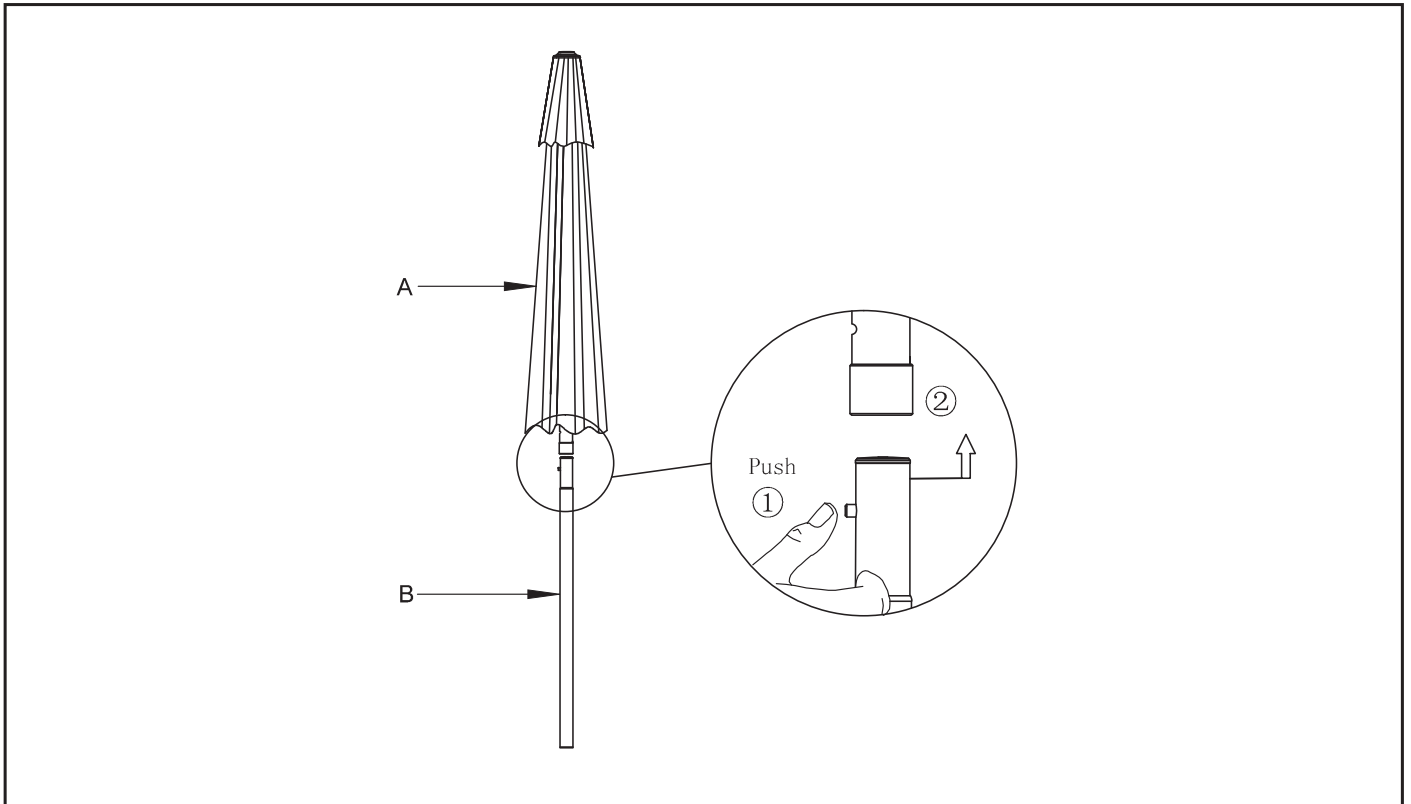
ASSEMBLY INSTRUCTIONS PARTS SUPPLIED

Ref	Description	Illustration	QTY
A		 A technical line drawing of a tapered, multi-bladed component, possibly a fan or a decorative element, with several curved blades radiating from a central point.	1
B		 A technical line drawing of a long, thin cylindrical component, possibly a rod or a pin, with a small detail on one end.	1

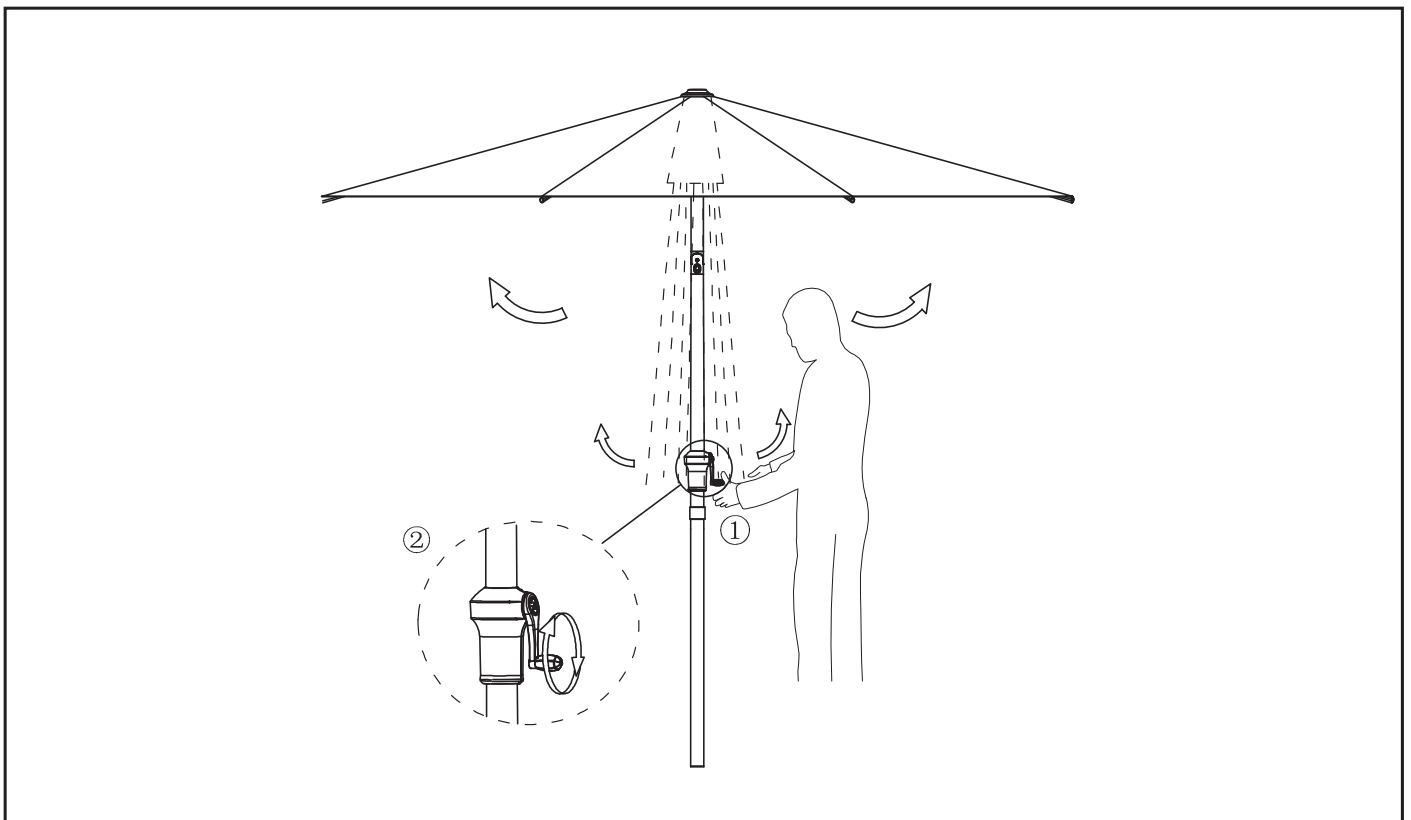
ASSEMBLY IMAGES & STEPS

PARASOL

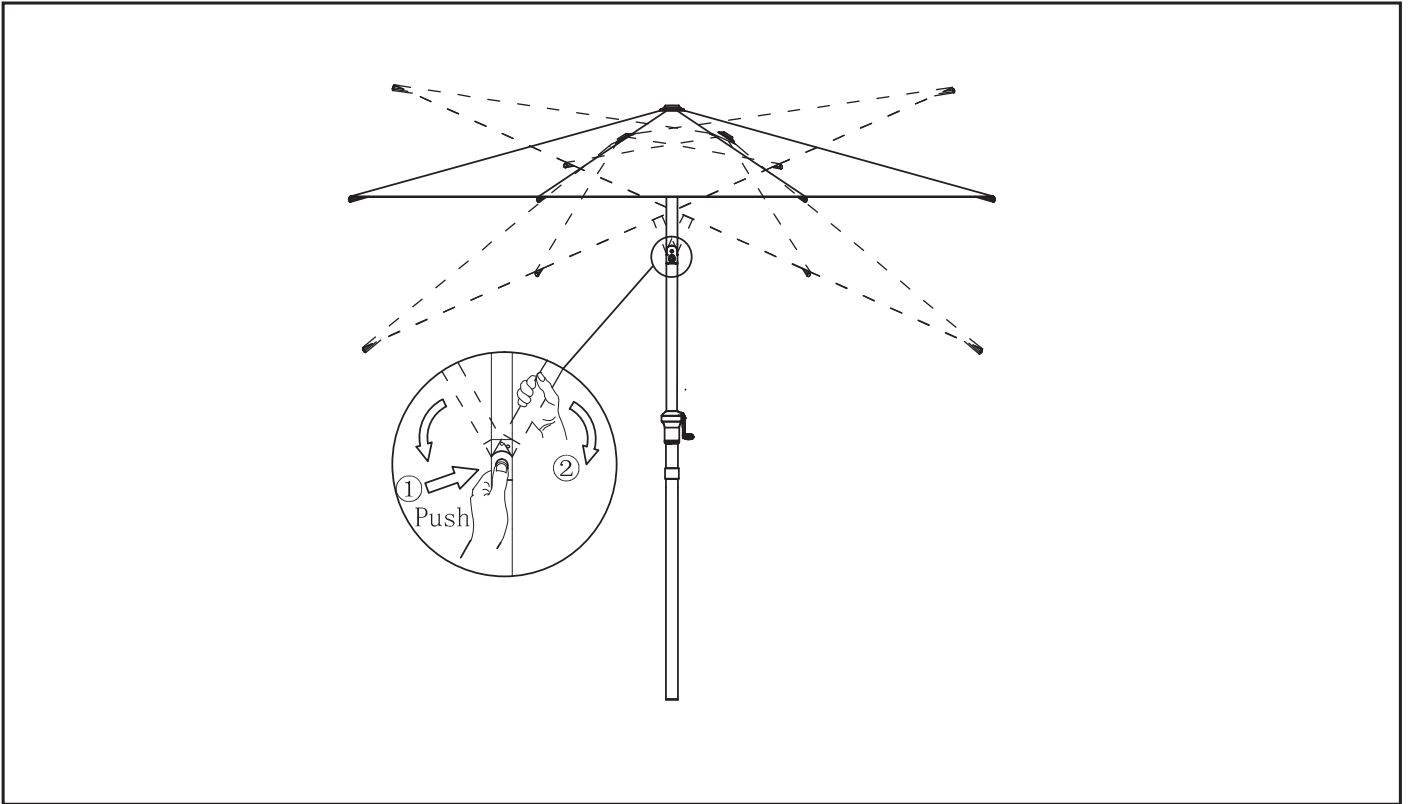
Step 1:



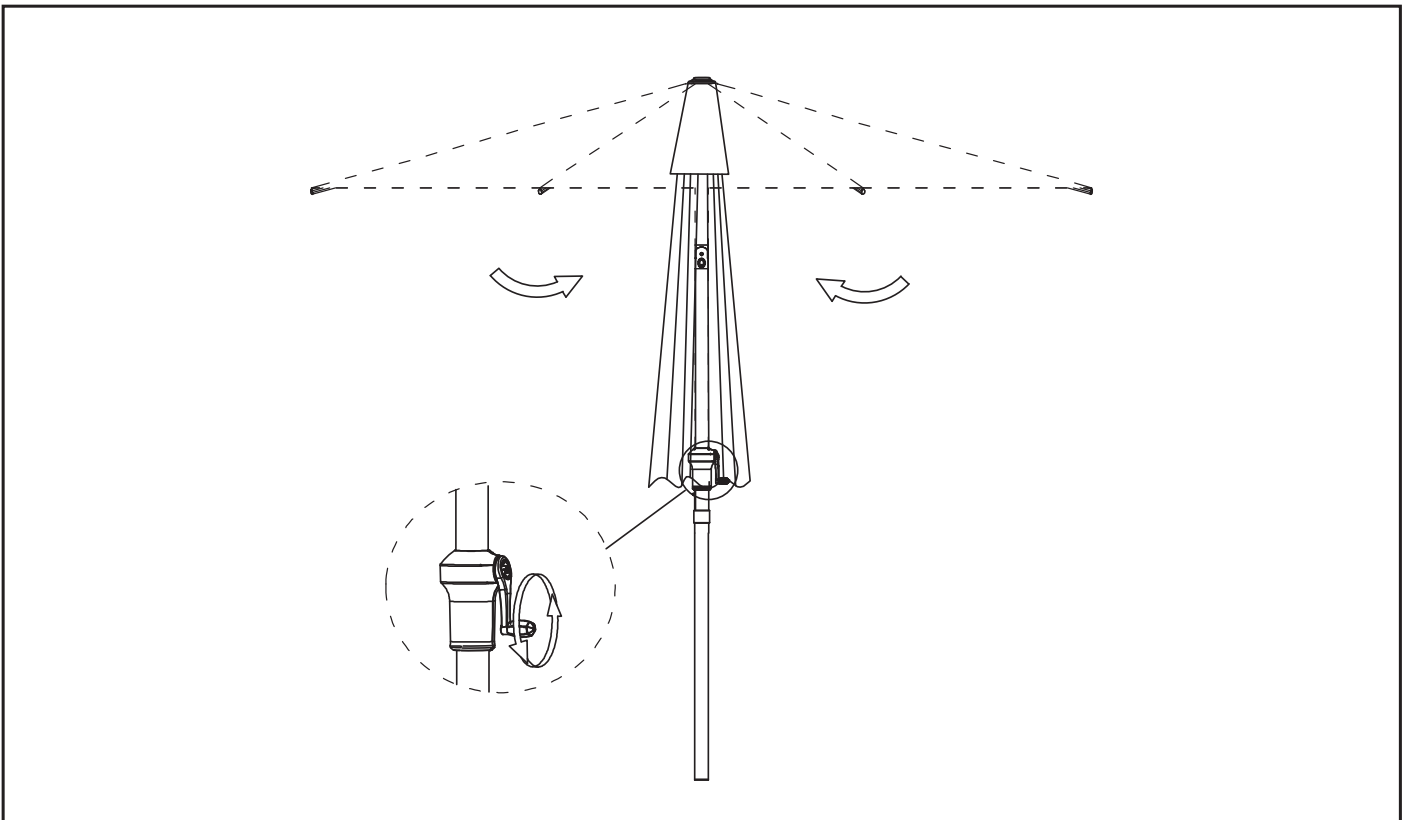
Step 2:



Step 3:



Step 4:



CARE INSTRUCTIONS

- To clean, wipe with a sponge and warm soapy water then wipe with a dry, clean cloth. Do not use solvent based cleaners or detergents as these will damage the look of the product.
- Never use a pressure hose or washer to clean the product. Never use scourers, abrasives or chemical cleaners.
- Store the product in a cool, dry place. Before storage ensure that the product is clean and dry.
- Leaving the product exposed to weather, especially direct sun, rain and salt air, will speed the weathering process. This can be slowed by removing the product from these conditions or covering it with a suitable cover.
- Avoid sharp objects as these can damage or scratch the product.
- Please keep away from sources of extreme heat and naked flames.

CONTACT

CUSTOMER SERVICES - EMAIL: CUSTOMER.SERVICE@DOBBIES.COM. TELEPHONE NUMBER: 0131 561 6406 OR CONTACT YOUR LOCAL STORE.
DOBBIES GARDEN CENTRES LTD, MELVILLE NURSERY, LASSWADE, MIDLOTHIAN, EH18 1AZ