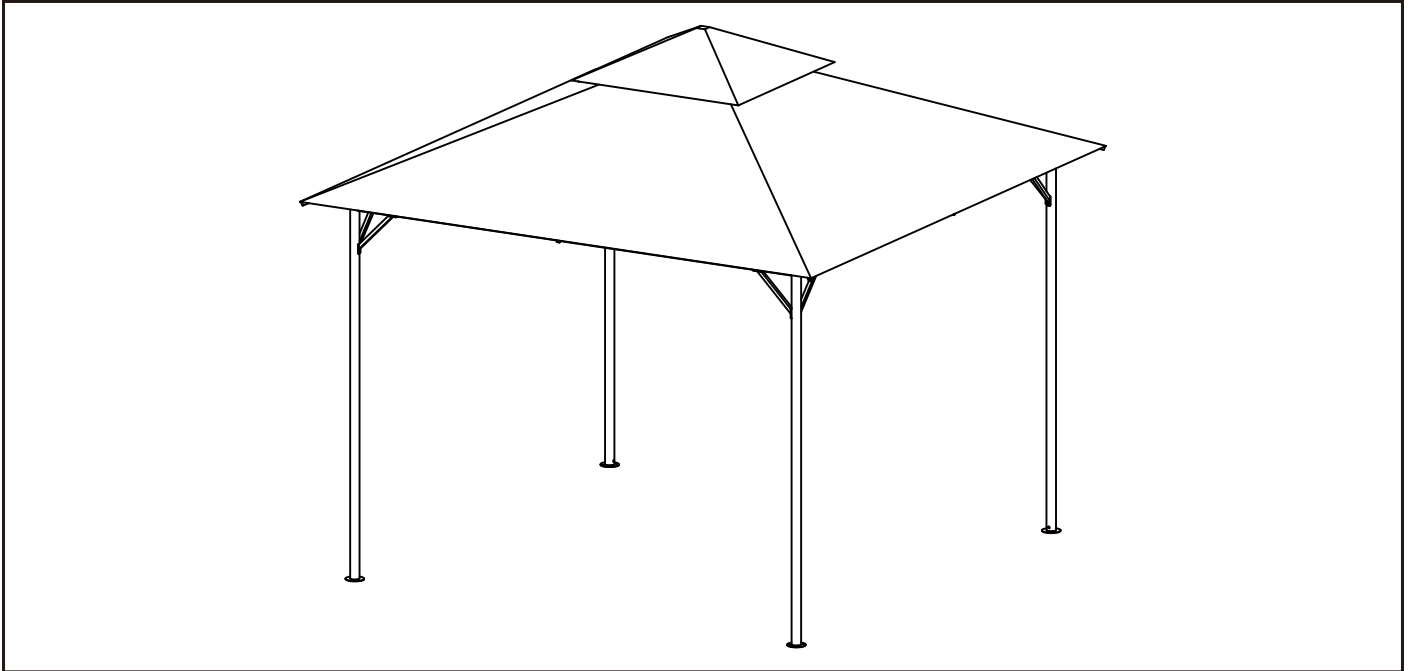


3 X 3 METAL GAZEBO GREY 363303



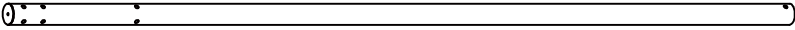





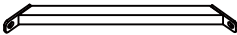
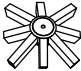


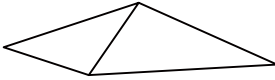
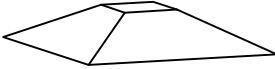
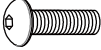
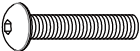
BEFORE YOU START






- Retain these instructions for future reference.
- Unwrap all packaging materials and place the components on top of the carton box or on a clean floor to prevent it from scratching.
- Check the pack and make sure you have all the parts listed.
- Do not use power tools to construct this product.
- Ensure that this product is fully assembled as illustrated before use.

WARNINGS


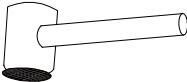
- Two people are required to assemble this product.
- This product should only be used on firm, level ground.
- Make sure the legs remain in contact with the ground.
- Before using the product, make sure all fastenings are tightly in place and that everything is in order, and checked periodically.
- Do not use this product if parts are missing, damaged or worn.
- This product is for domestic use only.
- Gazebo should not be used in high winds or during inclement weather.
- Disassemble and store product during windy weather.
- Do not sit or stand on the product.

PARTS & FITTINGS SUPPLIED GAZEBO

PARTS	PCE	PIECE	QTY
Leg Pole	A		4
Horizontal beam	B		4
Horizontal beam	C		4
Upper roof corner pole	D		4
Lower roof corner pole	E		4
Roof middle pole	F		4
Support	G		8
Top piece	H		1
U-shaped piece	I		8
Foot disk	J		4
Small top cloth	K		1
Large top cloth	L		1
Screw	M	 M6*15	48
Screw	N	 M6*30	8

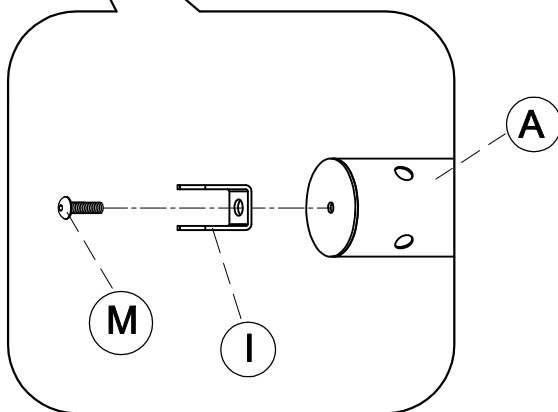
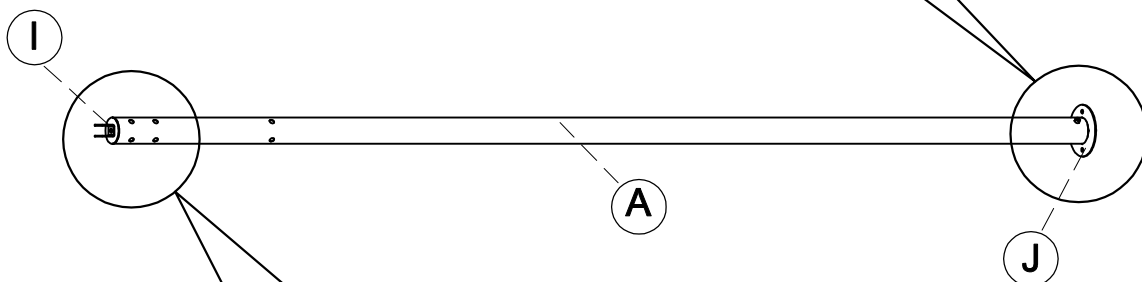
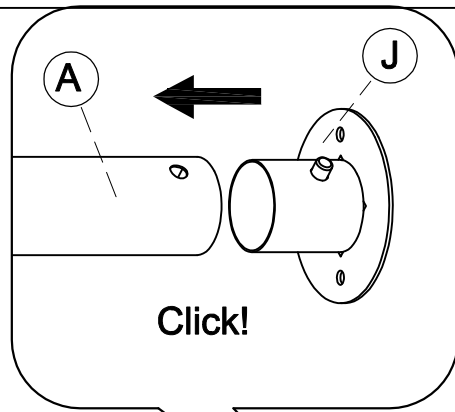
PARTS	PCE	PIECE	QTY
Hex nut	O	 M6	16
Nut cover	P	 M6	16
Ground peg	Q		8
Spanner	R		1
Hex key	S		2

ALSO REQUIRED (NOT INCLUDED)

PARTS	PCE	PIECE	QTY
Ladder			2
Mallet			1

ASSEMBLY IMAGES & STEPS
GAZEBO

Step 1:



X 4



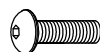
A x4



I x4



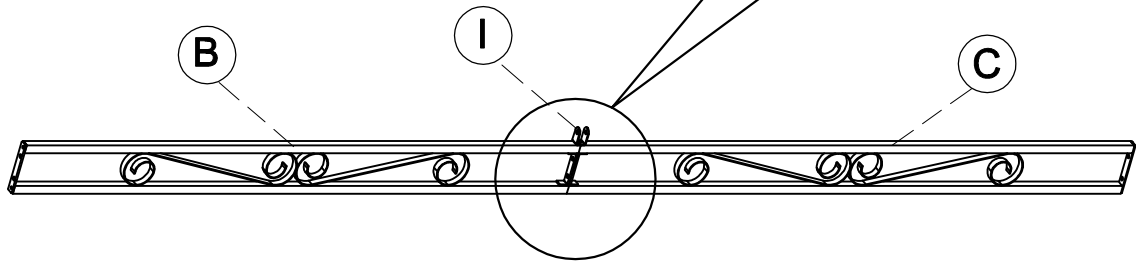
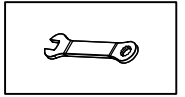
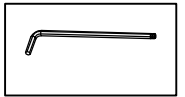
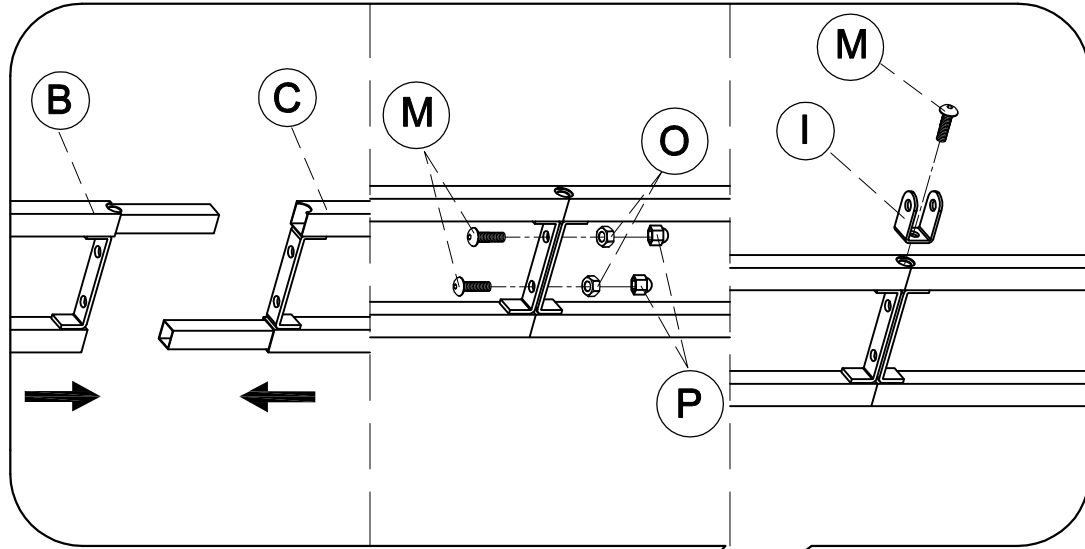
J x4



M6*15

M x4

Step 2:



X 4



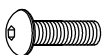
B x4



I x4



C x4



M6*15

M x12



M6

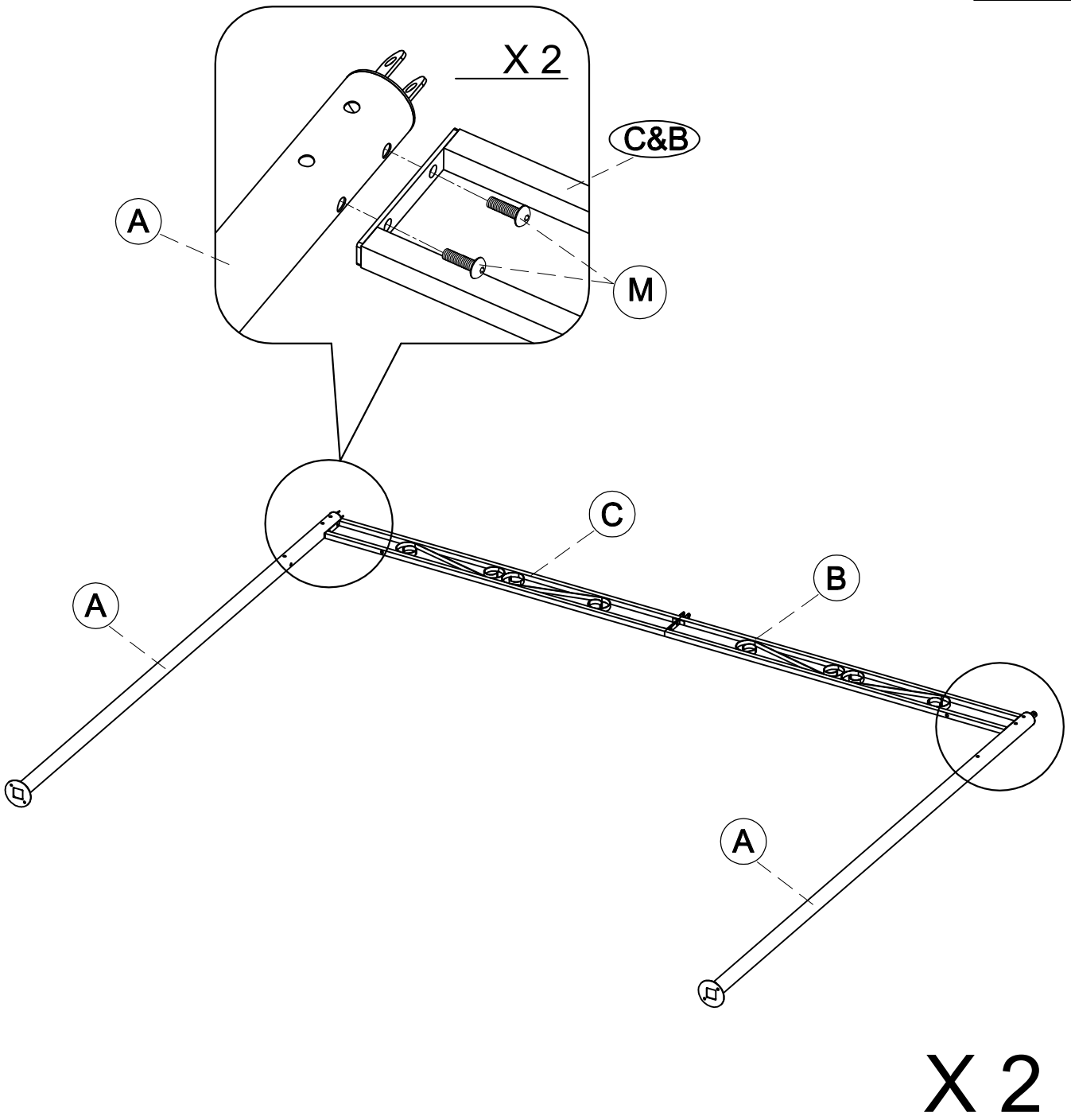
O x8

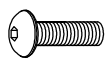


M6

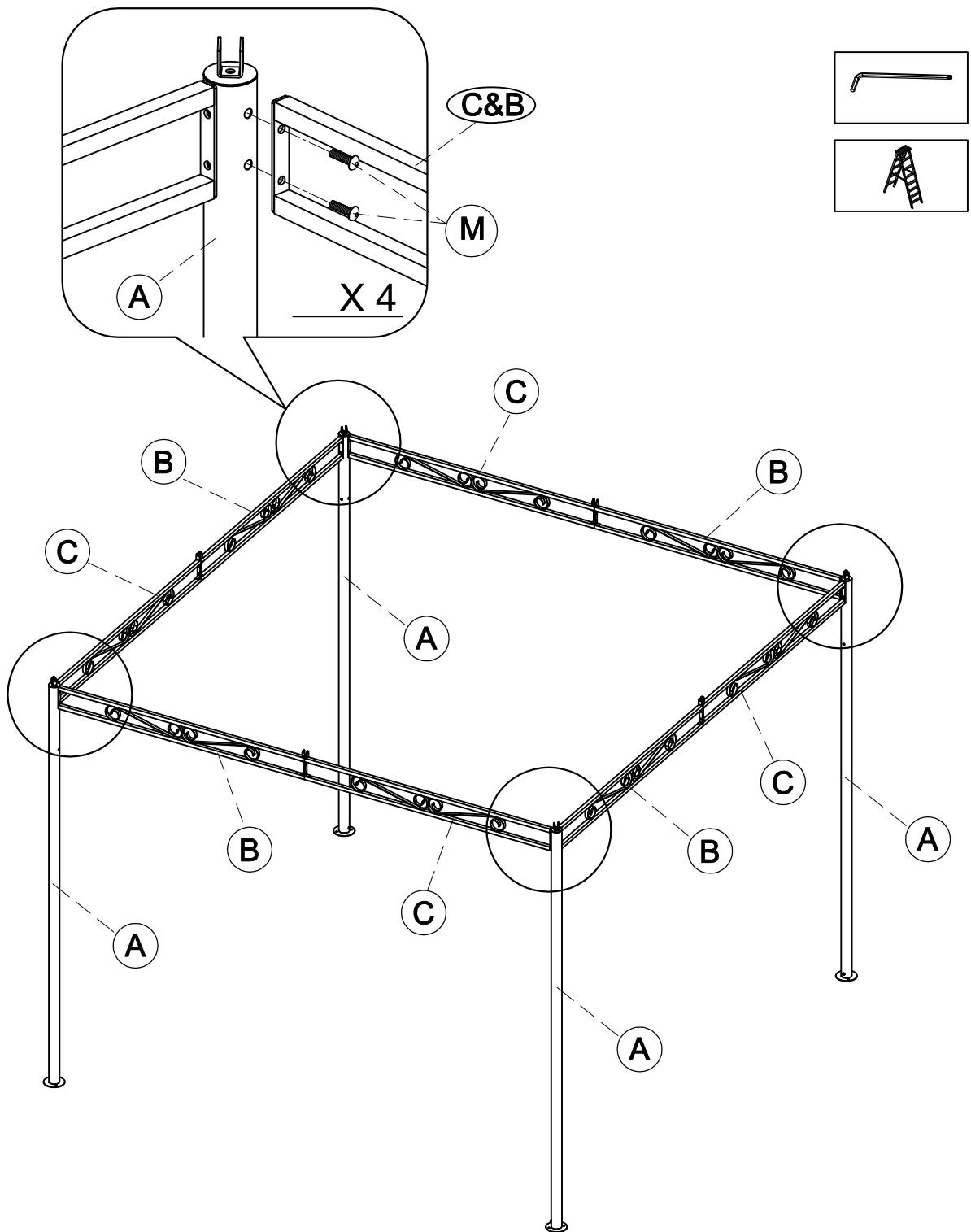
P x8

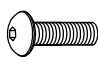
Step 3:



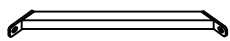
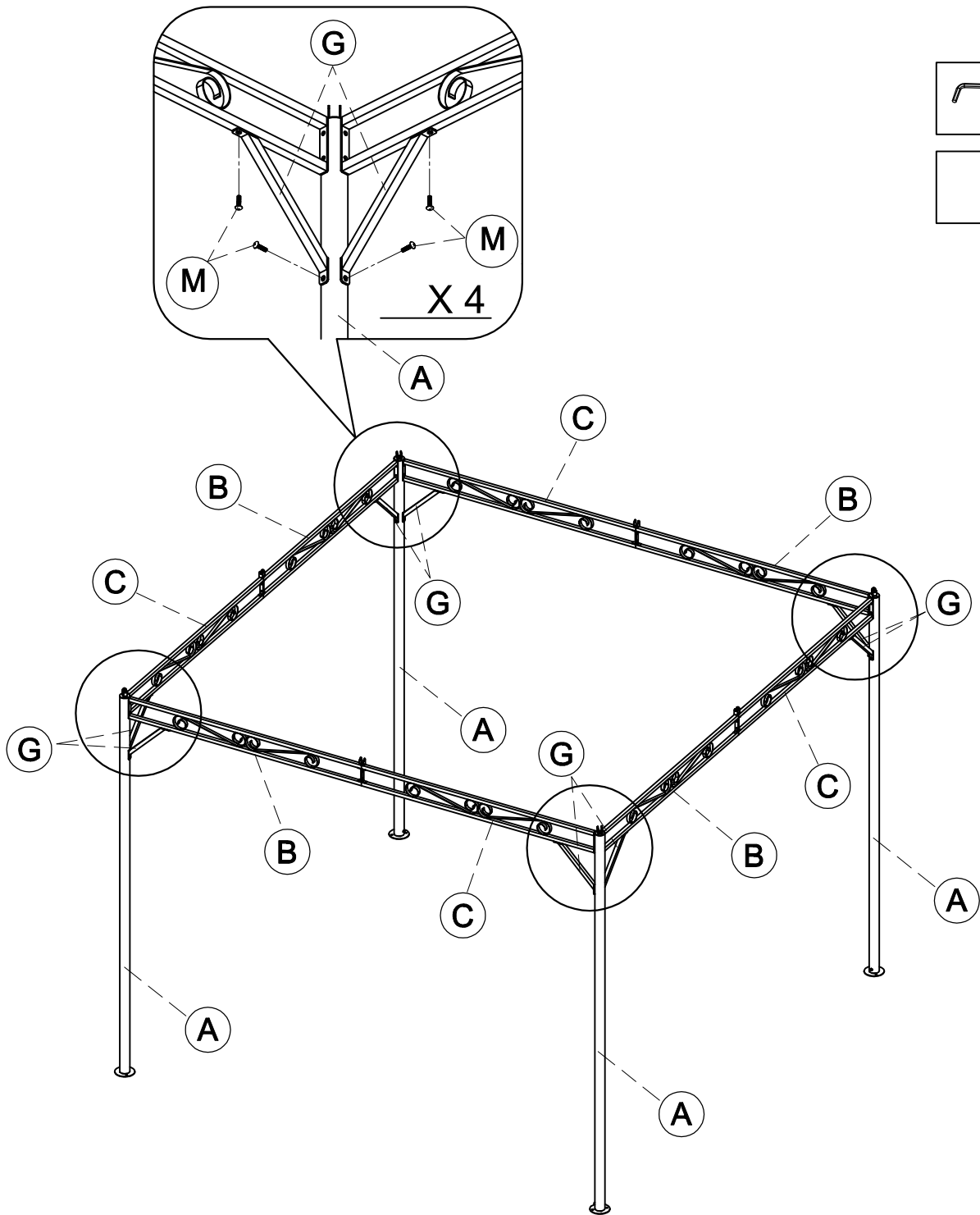
 M6*15 M x8

Step 4:

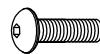


 M6*15 M x8

Step 5:



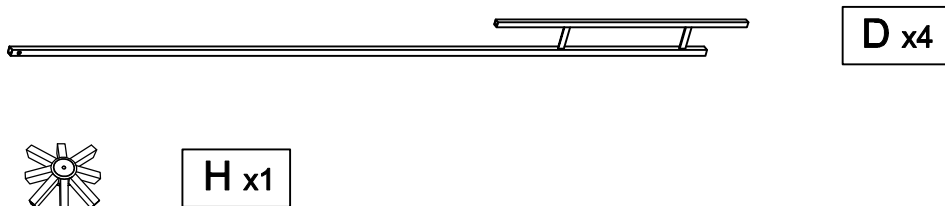
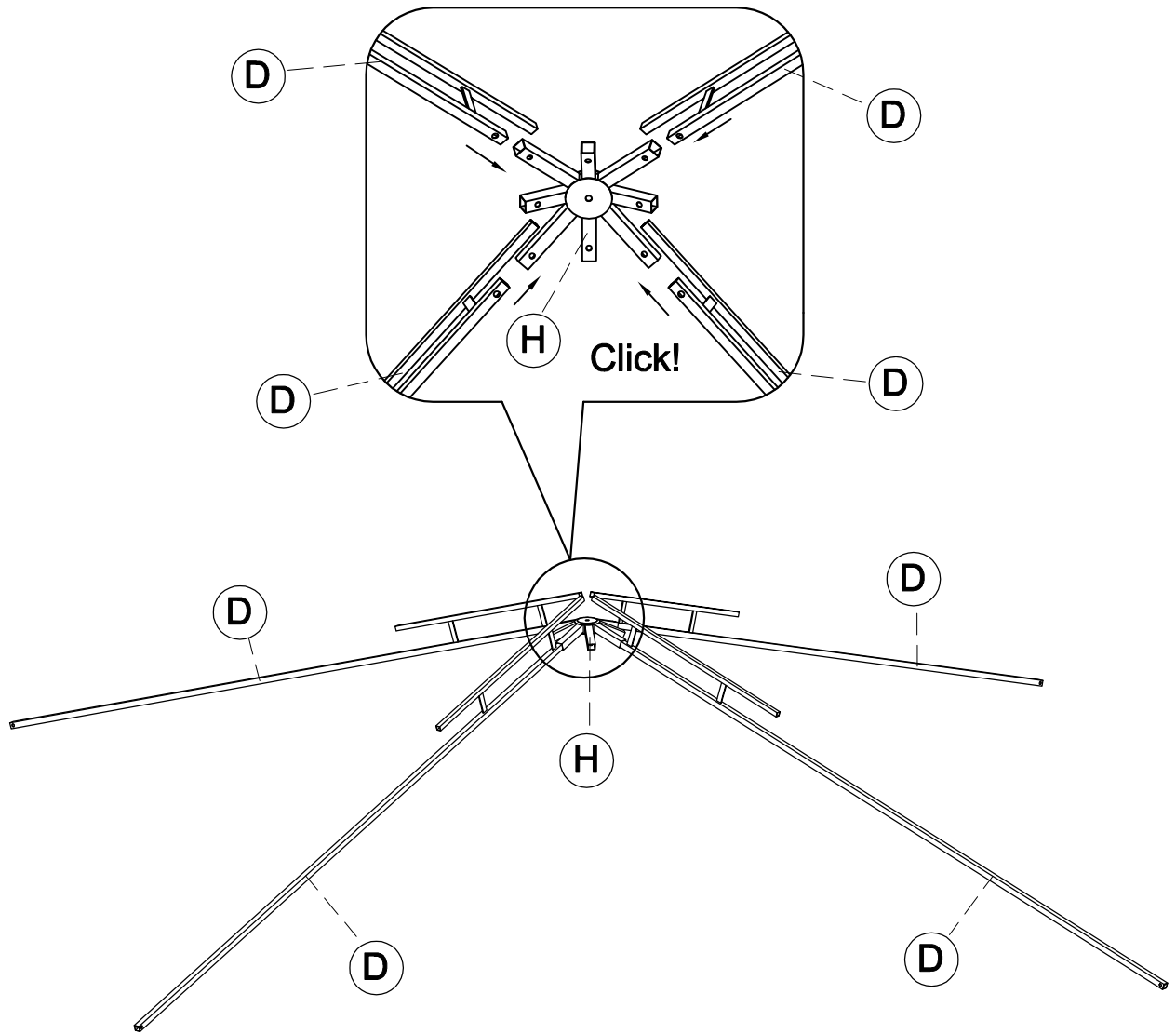
G x8



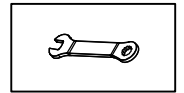
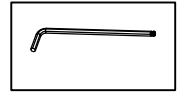
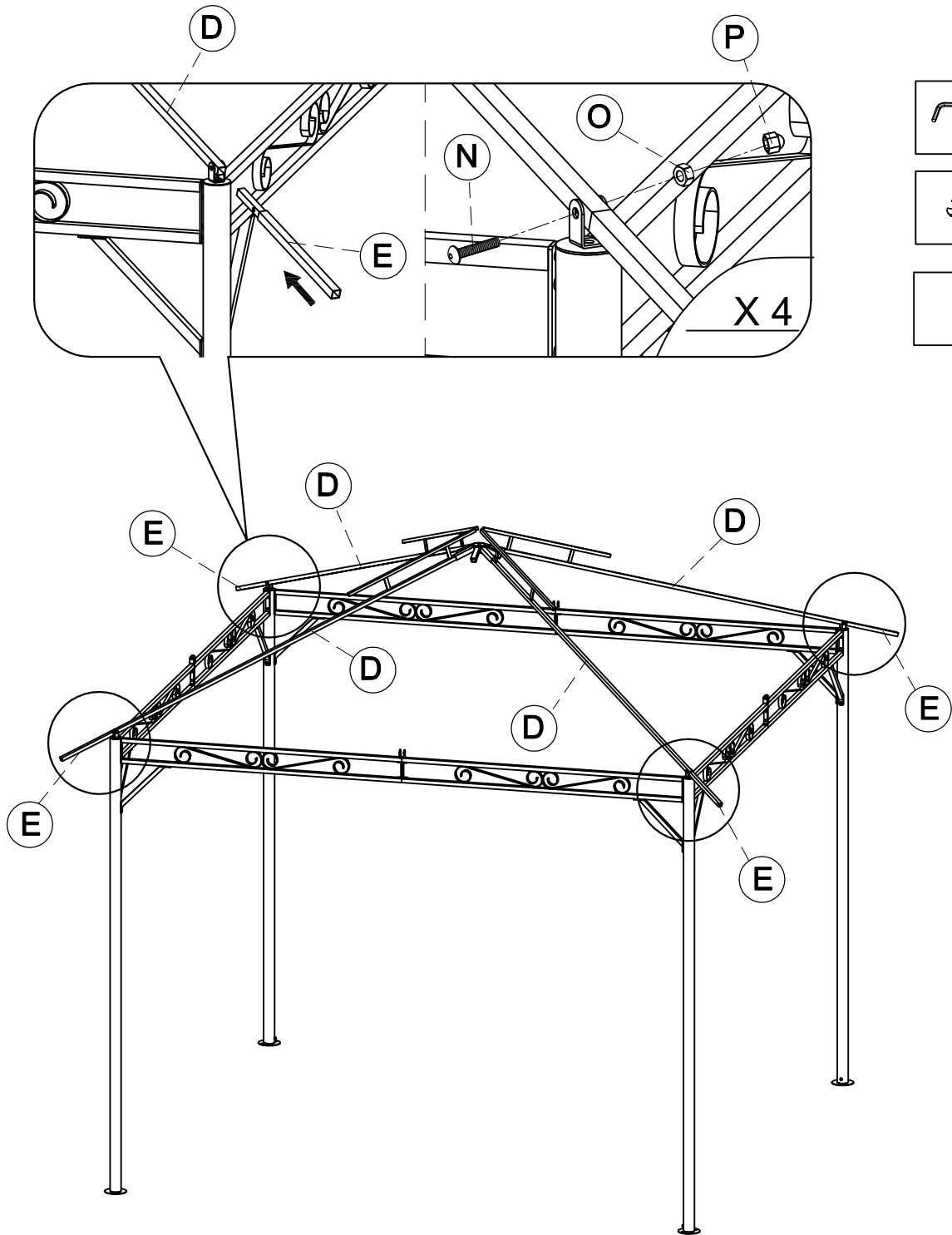
M6*15

M x16

Step 6:



Step 7:



E x4



M6*30

N x4



M6

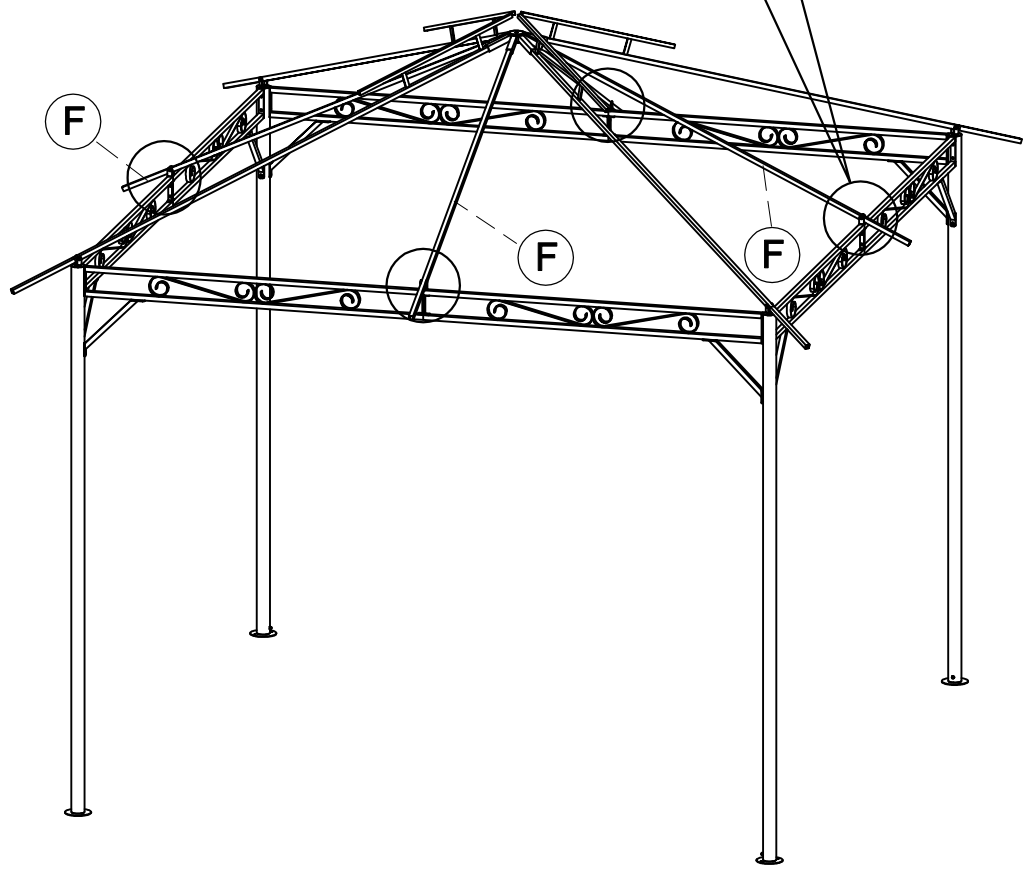
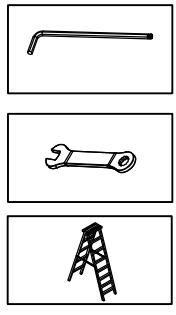
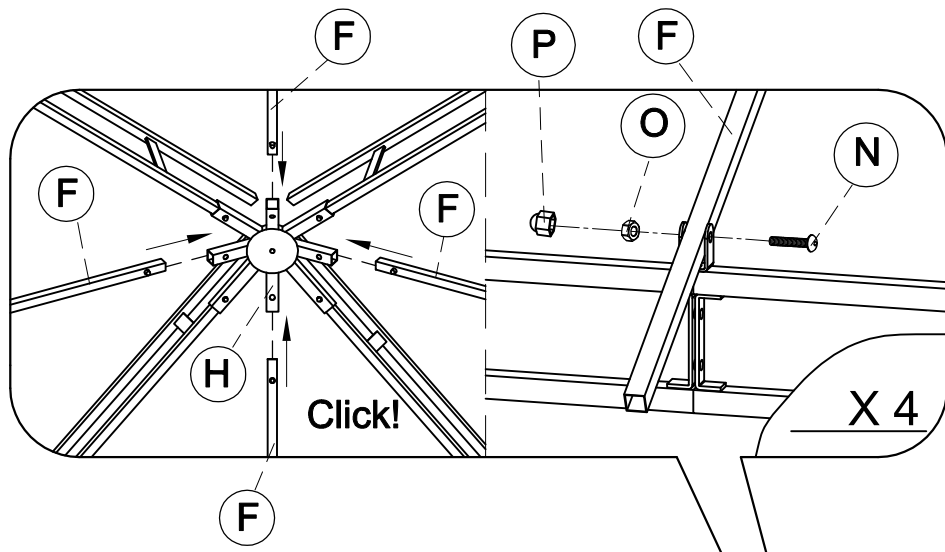
O x4


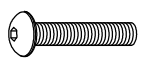

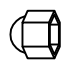


M6

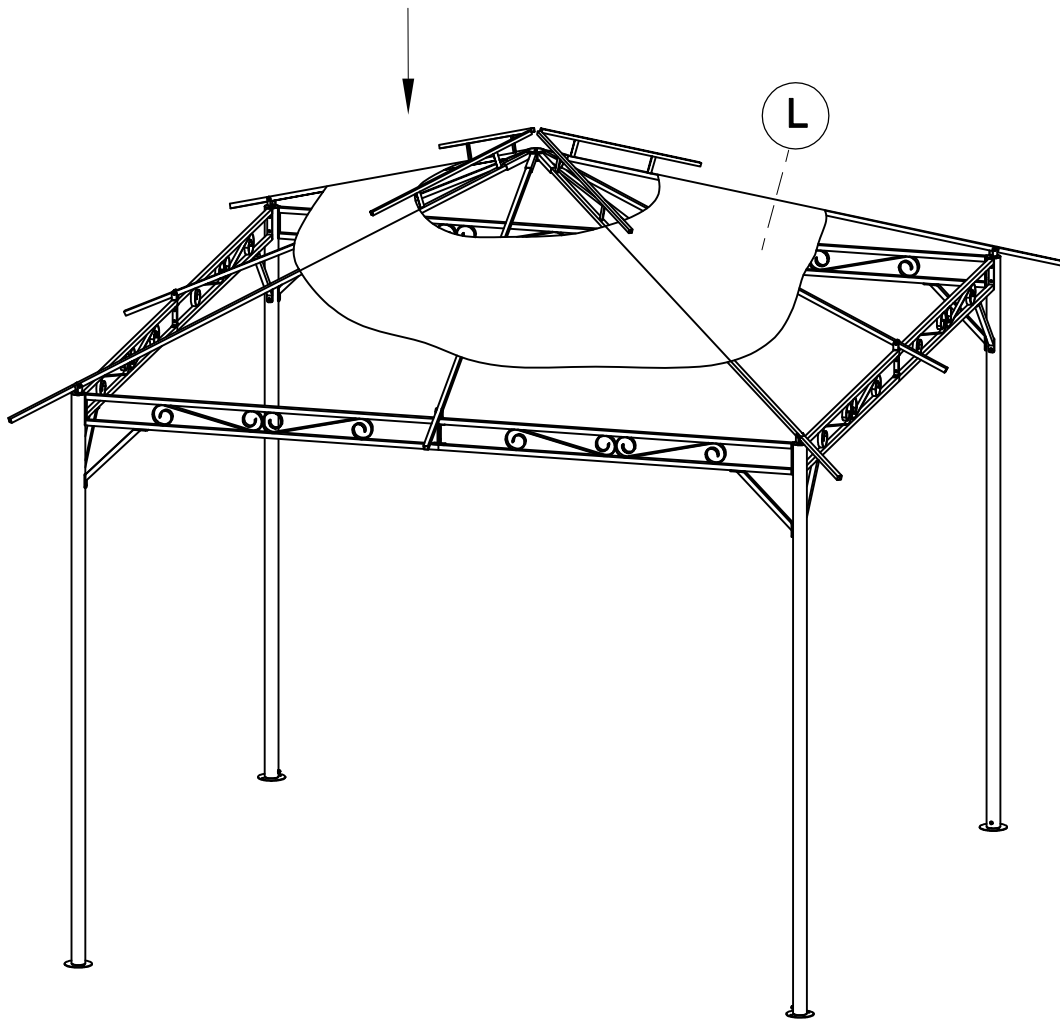
P x4

Step 8:



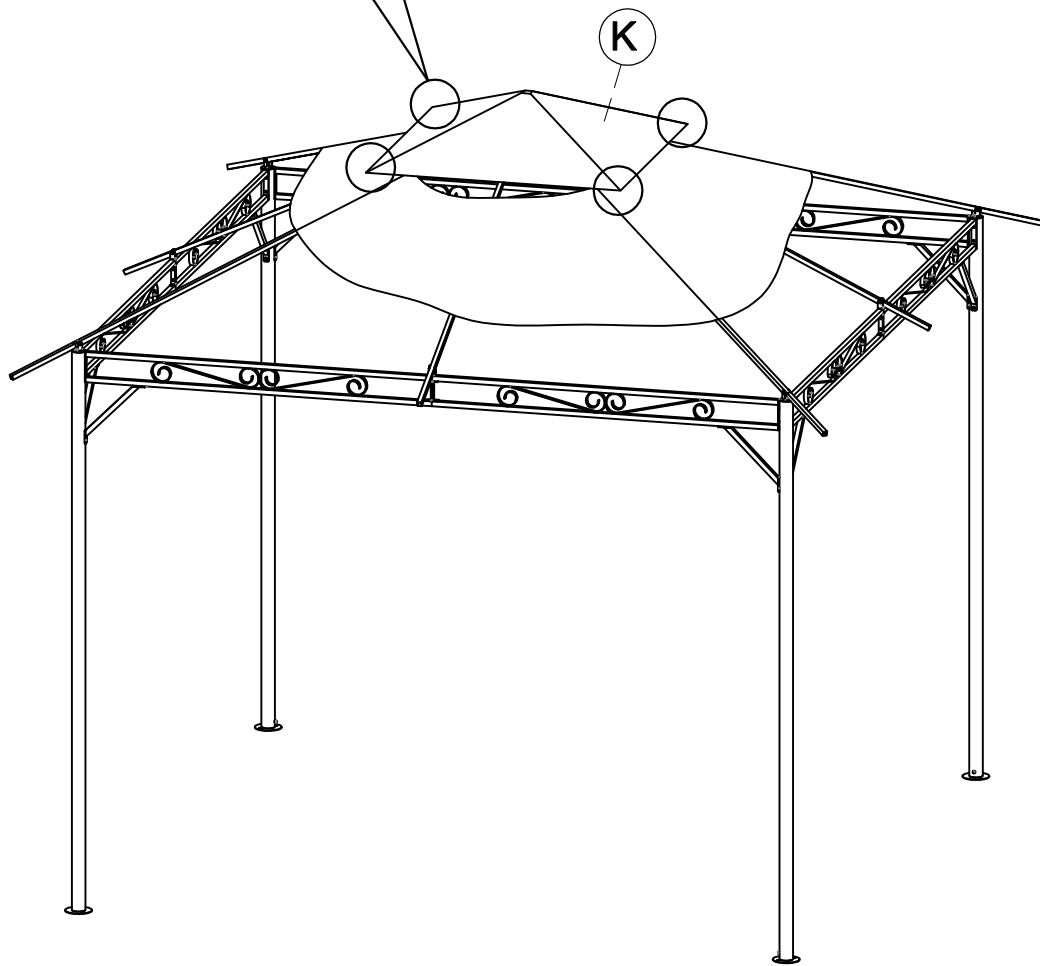
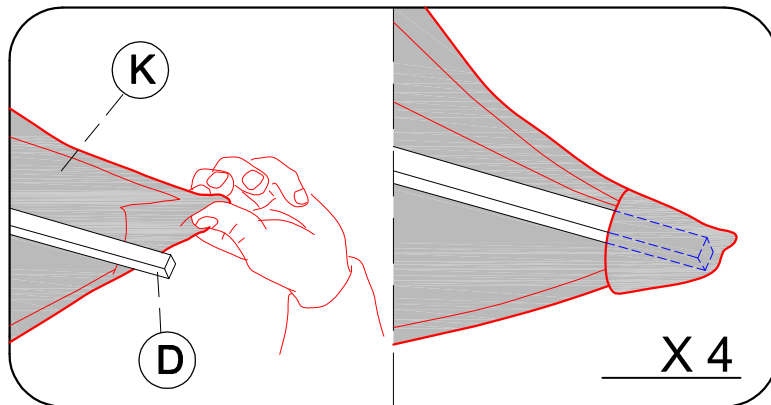
- | | | | | | |
|--|-------------|---|-------------|---|-------------|
|  | F x4 | | | | |
|  M6*30 | N x4 |  M6 | O x4 |  M6 | P x4 |

Step 9:



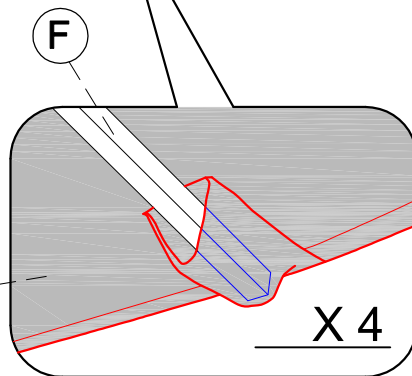
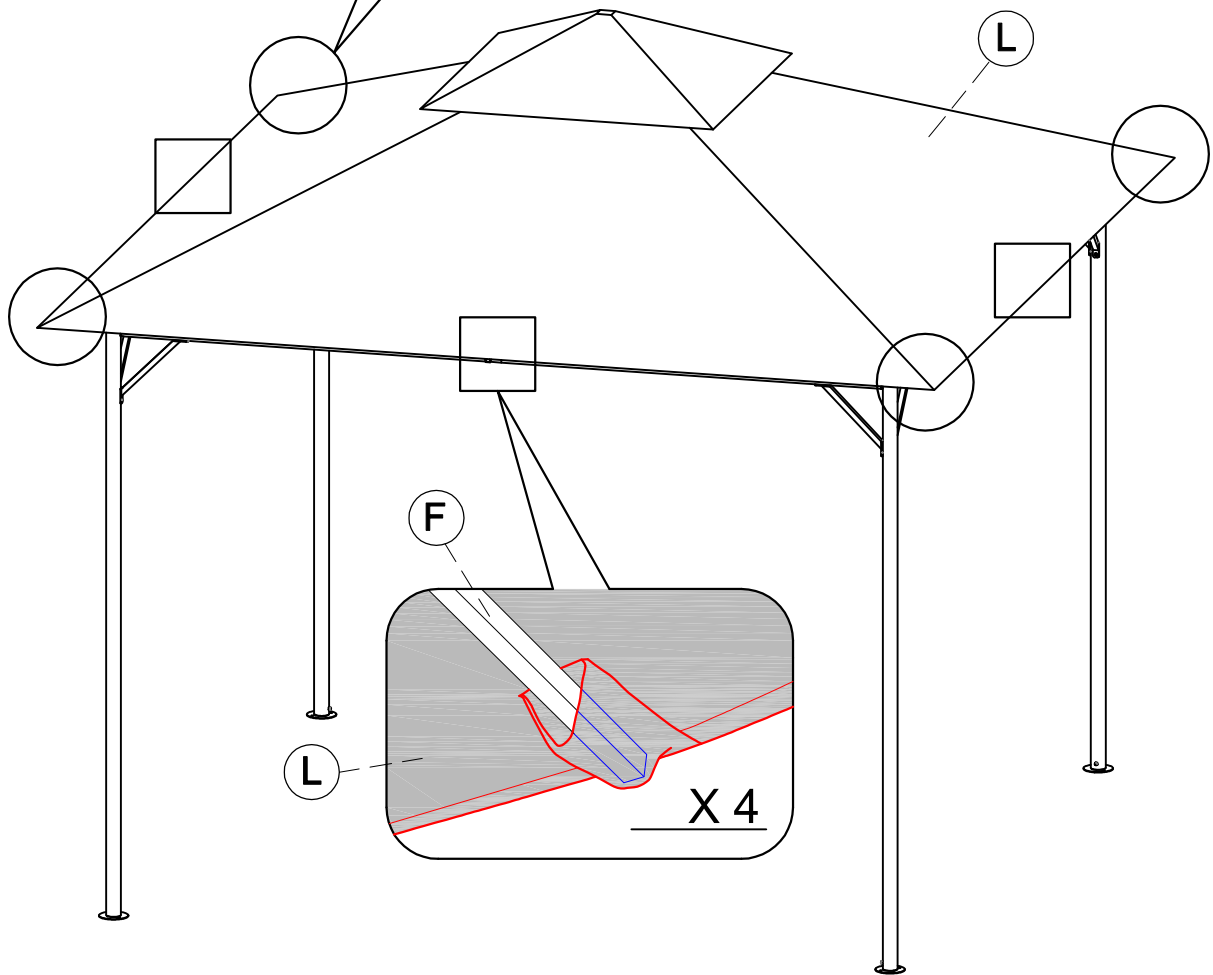
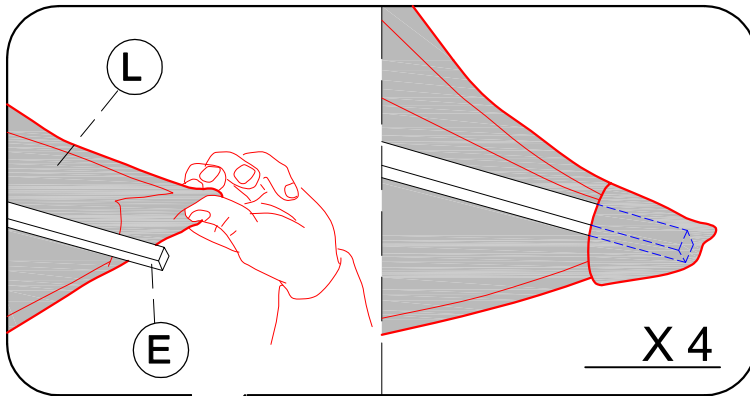
L x1

Step 10:

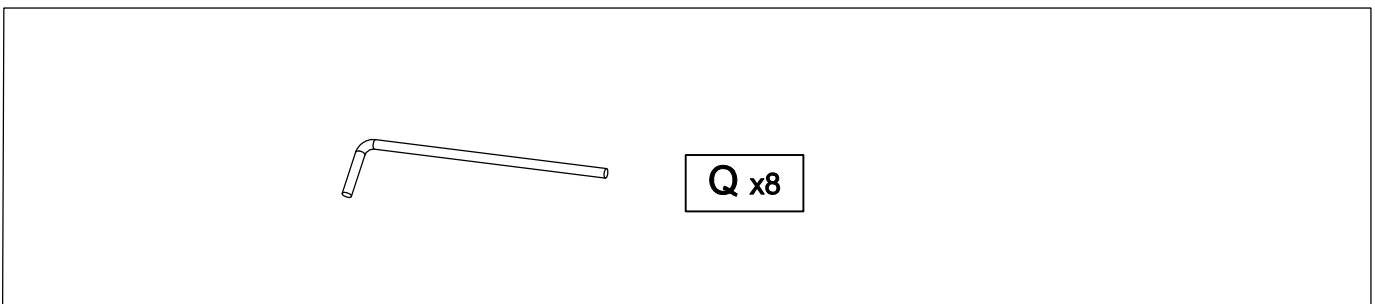
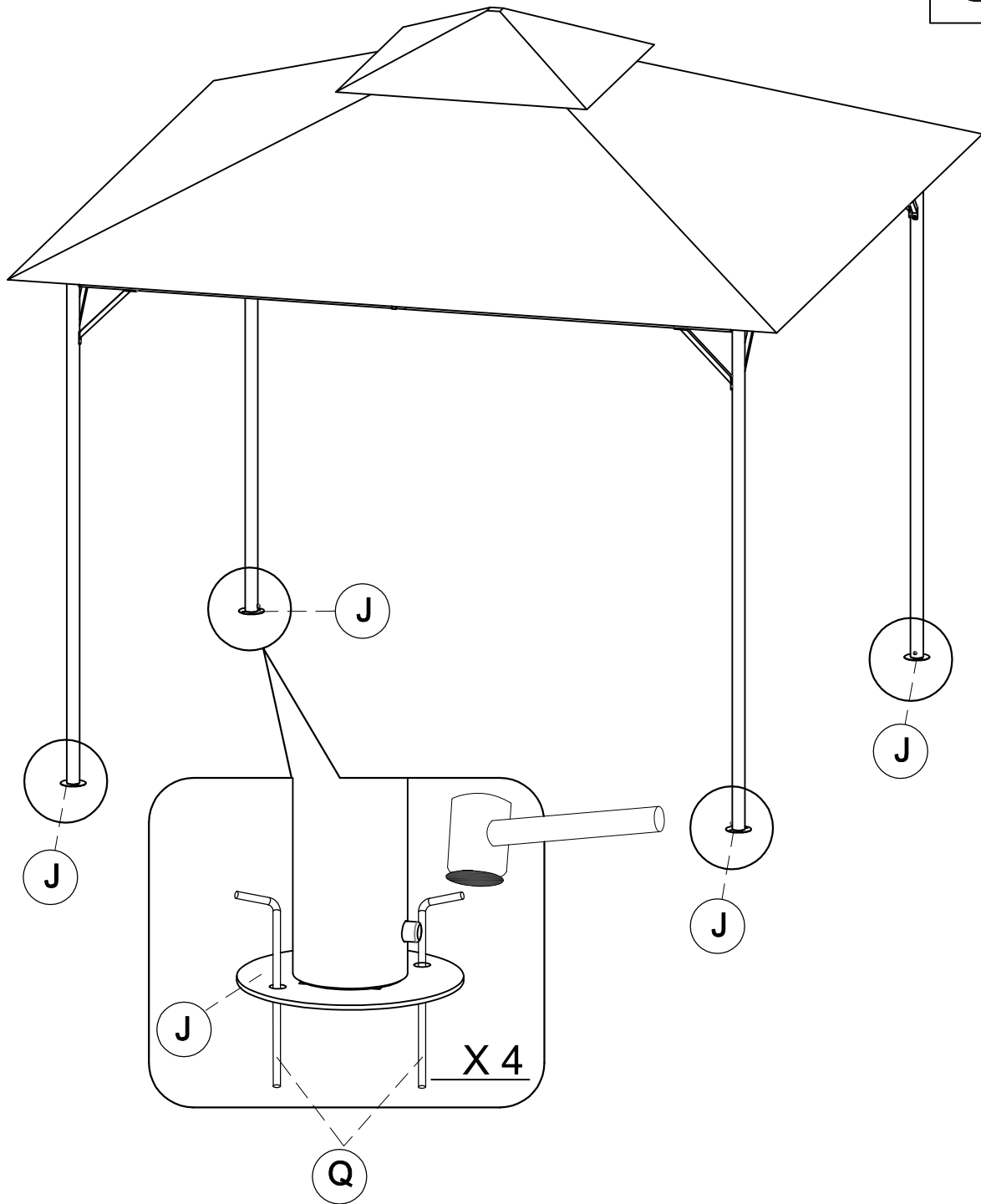
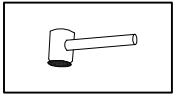


K x1

Step 11:



Step 12:



CARE INSTRUCTIONS

- To clean, wipe with a sponge and warm soapy water then wipe with a dry, clean cloth. Do not use solvent based cleaners or detergents as these will damage the look of the product.
- Never use a pressure hose or washer to clean the product. Never use scourers, abrasives or chemical cleaners.
- Store the product in a cool, dry place. Before storage ensure that the product is clean and dry.
- Leaving the product exposed to weather, especially direct sun, rain and salt air, will speed the weathering process. This can be slowed by removing the product from these conditions or covering it with a suitable cover.
- Avoid sharp objects as these can damage or scratch the product.
- Please keep away from sources of extreme heat and naked flames.

CONTACT

CUSTOMER SERVICES - EMAIL: CUSTOMER.SERVICE@DOBBIES.COM. TELEPHONE NUMBER: 0131 561
6406 OR CONTACT YOUR LOCAL STORE.
DOBBIES GARDEN CENTRES LTD, MELVILLE NURSERY, LASSWADE, MIDLOTHIAN, EH18 1AZ