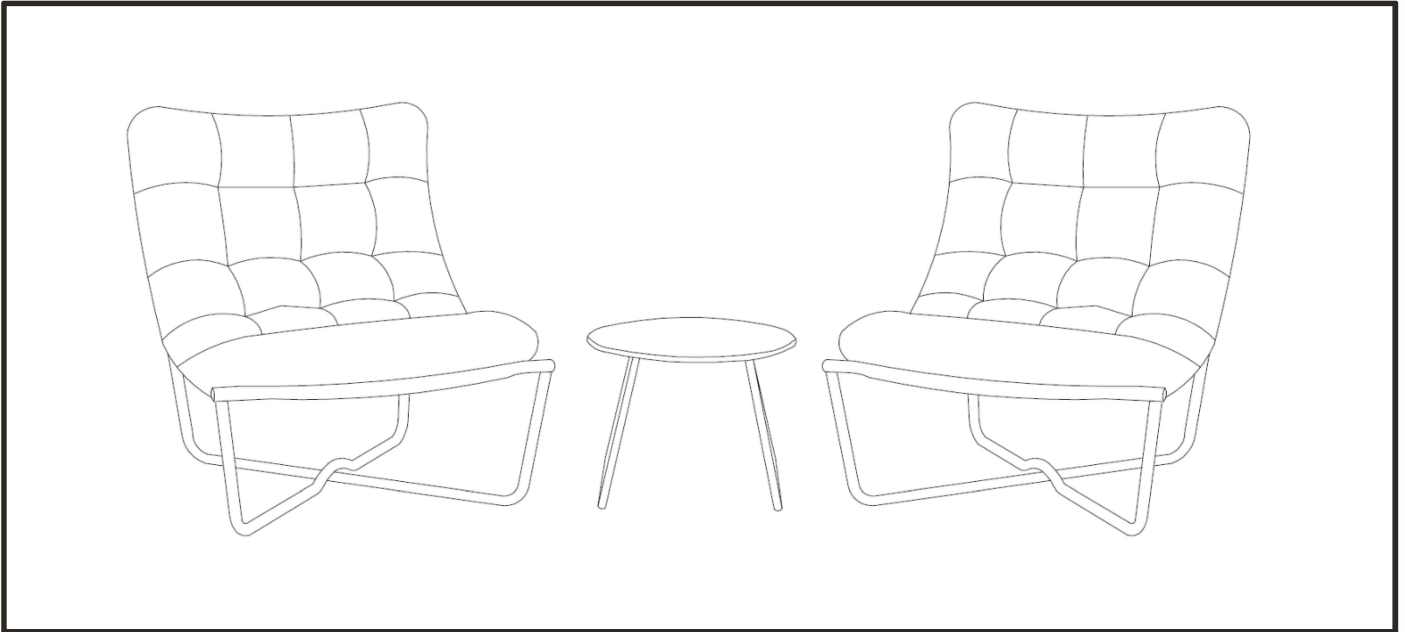


Samba Outdoor Bistro Set Navy

985014



BEFORE YOU START

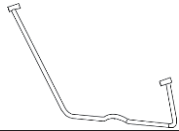
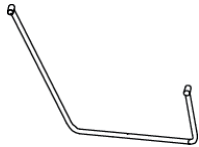



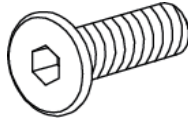
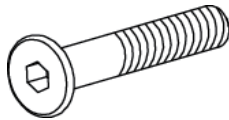



- Retain these instructions for future reference.
- When you are ready to start, make sure that you have the right tools, plenty of space and a clean, dry area for assembly.
- Unwrap all packaging materials and place the components on top of the carton box or on a clean floor to prevent it from scratching.
- Check the pack and make sure you have all the parts listed.
- Do not use power tools to construct this product.
- Ensure that this product is fully assembled as illustrated before use.

WARNINGS

- Do not sit or stand on the table. Do not stand on the chairs.
- This product should only be used on firm, level ground.
- Make sure the legs remain in contact with the ground.
- Keep small parts out of reach of children.
- Check all screws or bolts are tightened and inspect regularly.
- Do not tighten screws until fully assembled.
- Do not overtighten screws or bolts.
- Do not use this product if parts are missing, damaged or worn.
- This product is for domestic use only.
- Each chair is intended for a maximum weight of 110kg. Do not exceed this weight.

PARTS & FITTINGS SUPPLIED


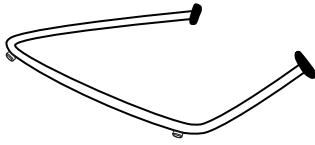
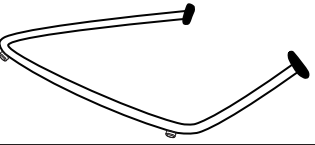




CHAIR

Ref	Description	Illustration	QTY
A	Chair leg		1
B	Chair leg		1
C	Connect tube		1
D	Connect tube		1
E	Textilene		1
F	Bolts M612		4
G	Bolts M640		1
H	Washer 13*6.5*1.0		5
I	Bolt cover		5
K	Allen key		1

DOBBIES INSTRUCTION MANUAL



TABLE

Ref	Description	Illustration	QTY
A	Table top	 A simple line drawing of an oval-shaped table top.	1
B1	Table leg	 A line drawing of a curved table leg with a small black dot at the top end.	1
B2	Table leg	 A line drawing of a curved table leg, identical to B1, with a small black dot at the top end.	1
C	Bolts	 A line drawing of a bolt with a hexagonal head and a threaded shaft.	8
D	Washer	 A line drawing of a flat, circular washer with a central hole.	8
E	Bolt cover	 A line drawing of a cylindrical bolt cover with a slightly flared top edge.	8
F	Allen key	 A line drawing of an L-shaped Allen key with a hexagonal end.	1

ASSEMBLY IMAGES & STEPS

Chair

Figure 1:

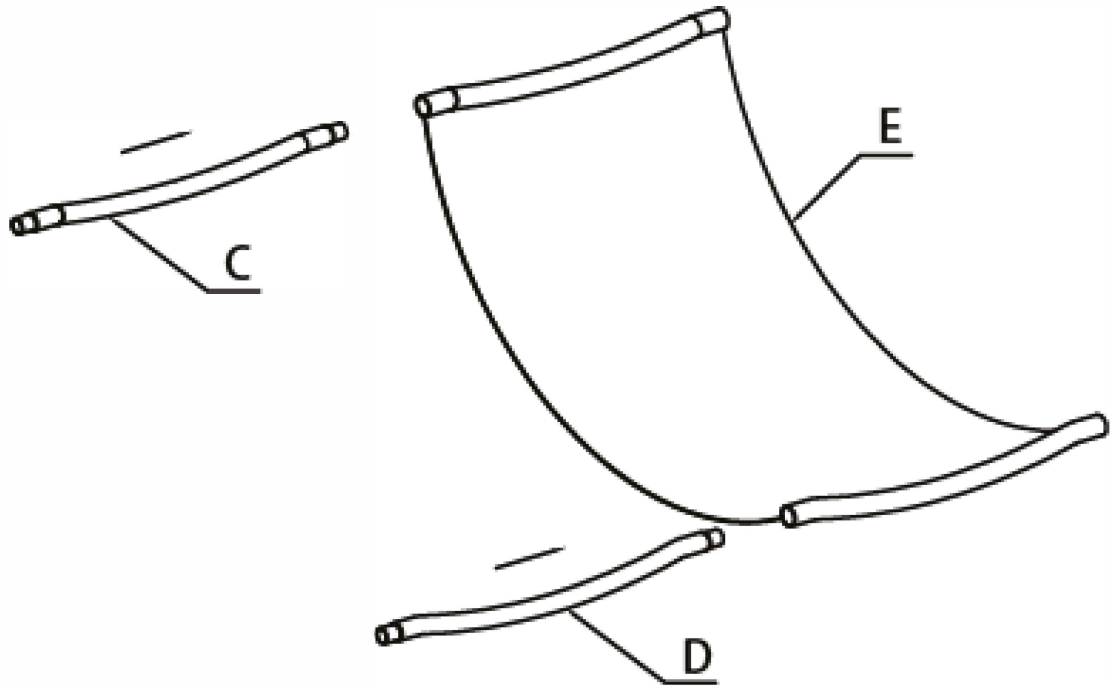


Figure 2:

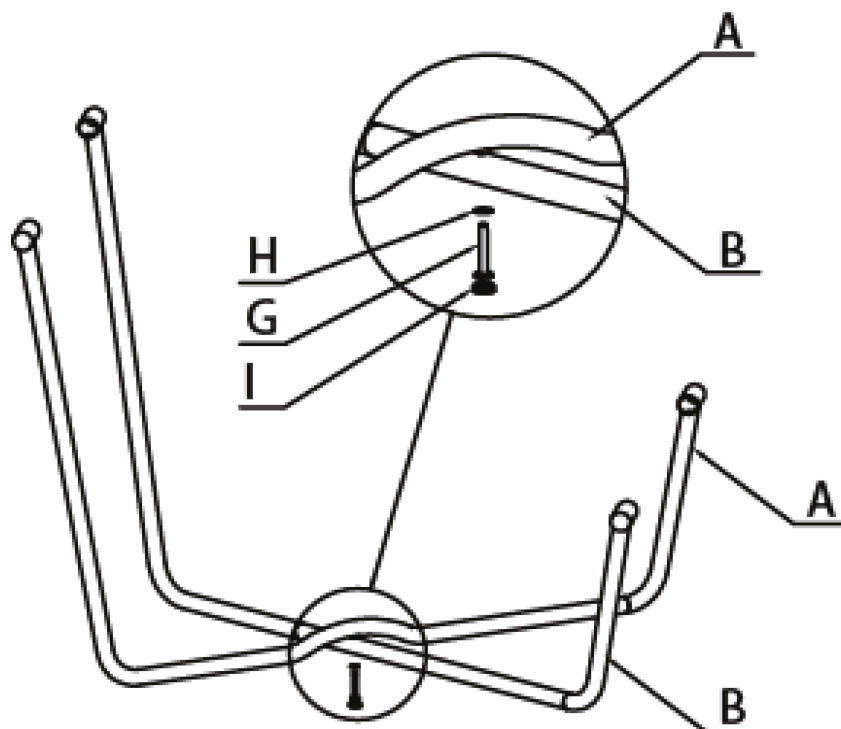


Figure 3:

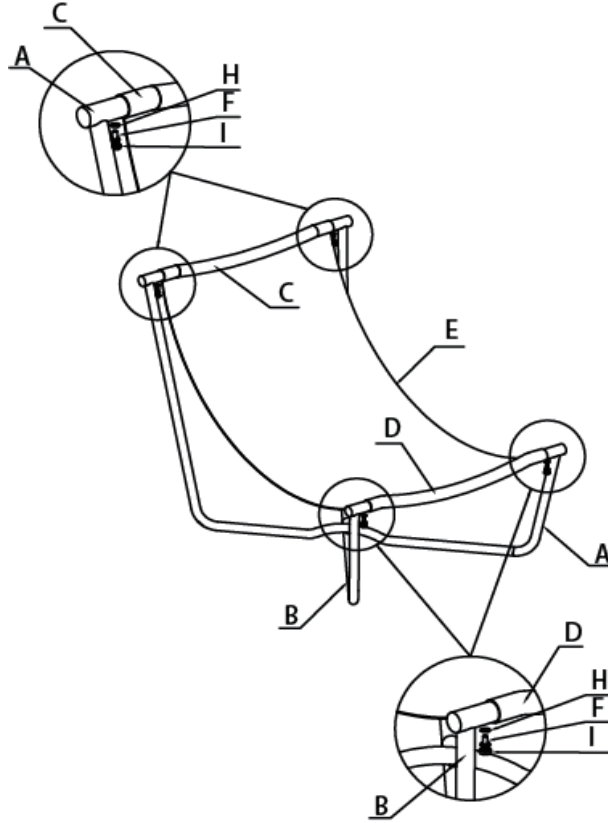
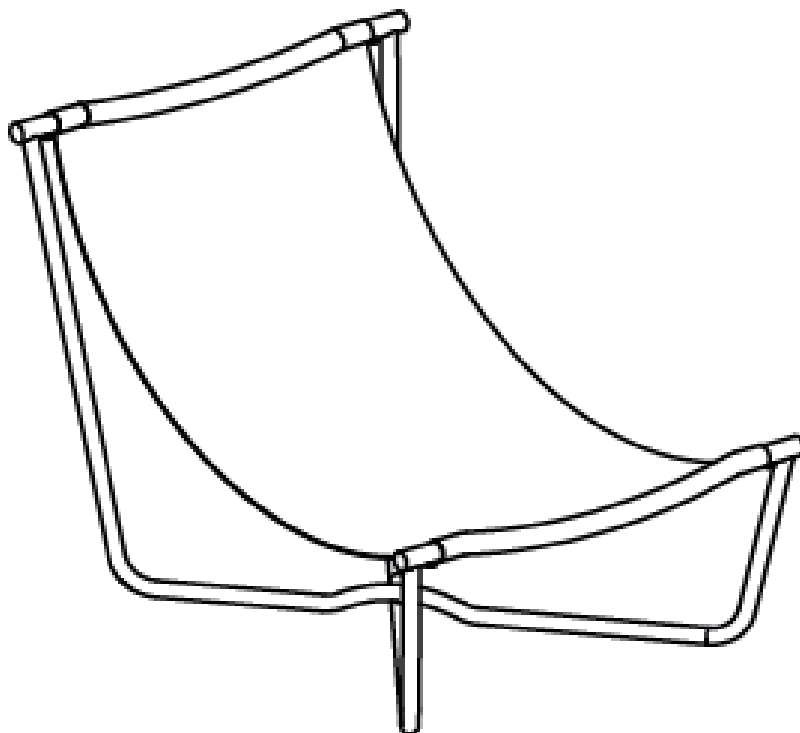


Figure 4:



TABLE

Figure 5:

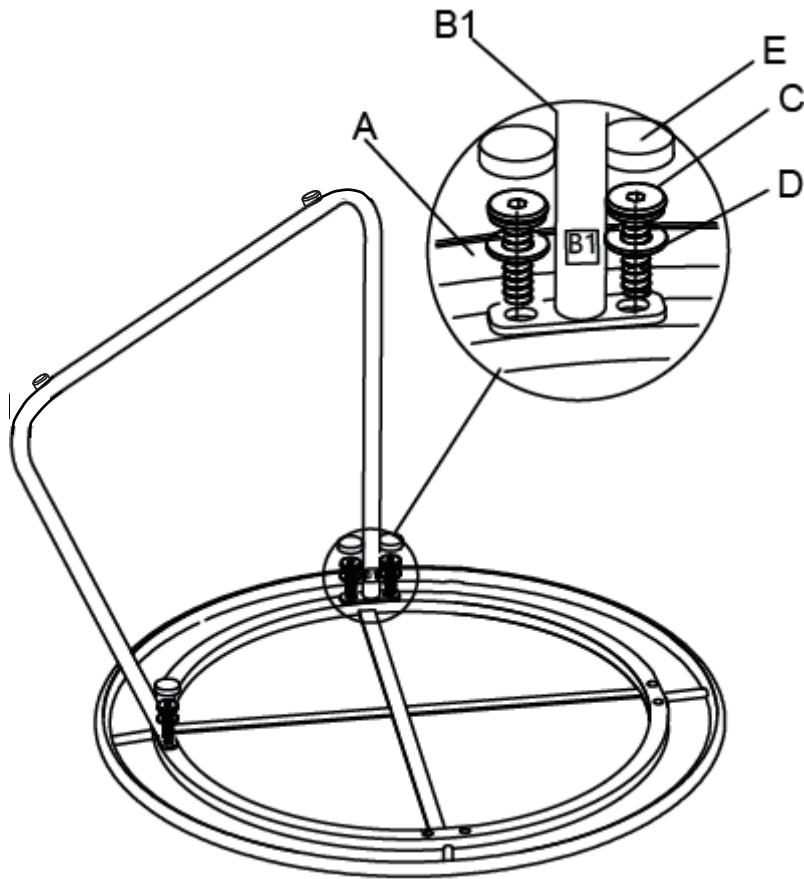
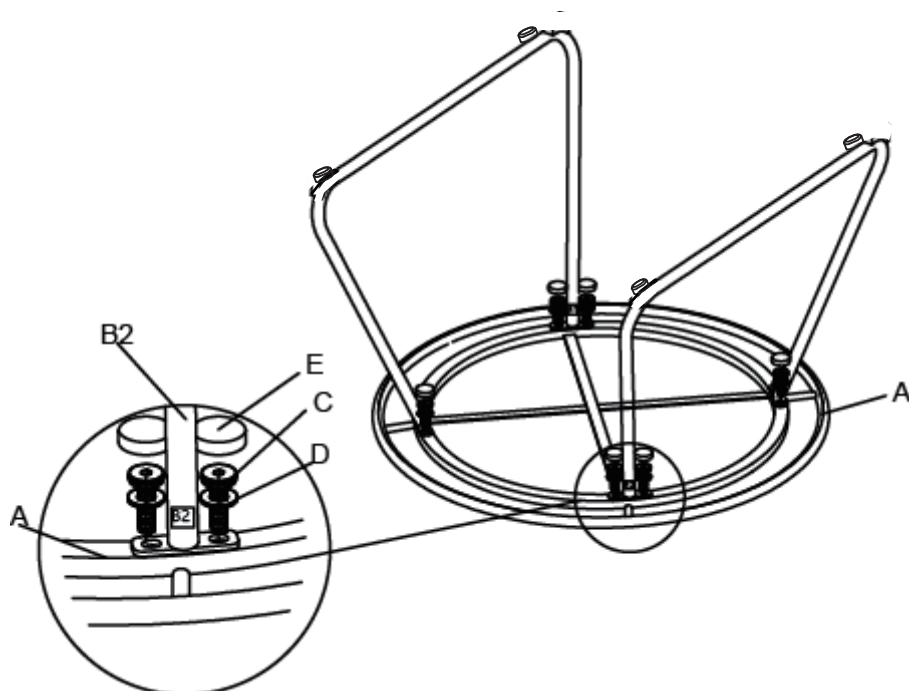
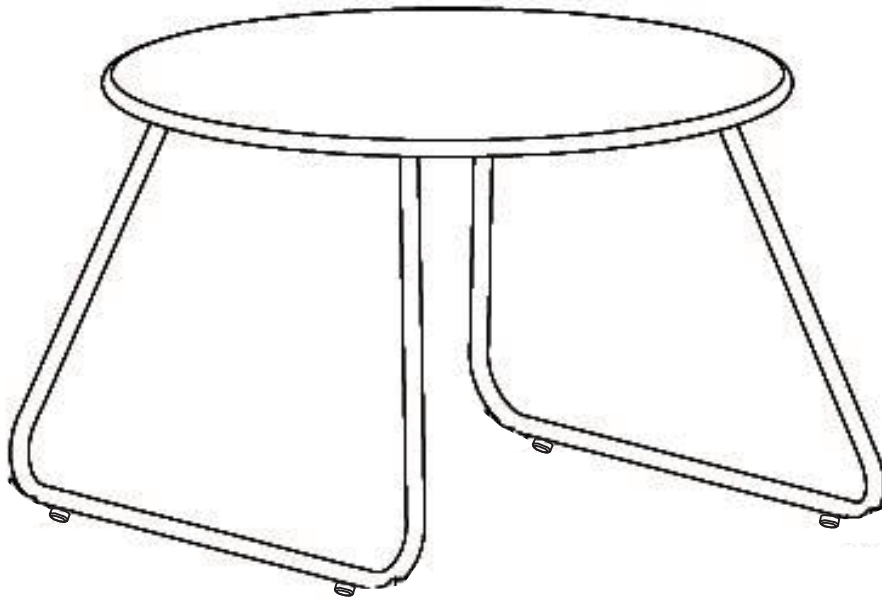


Figure 6:



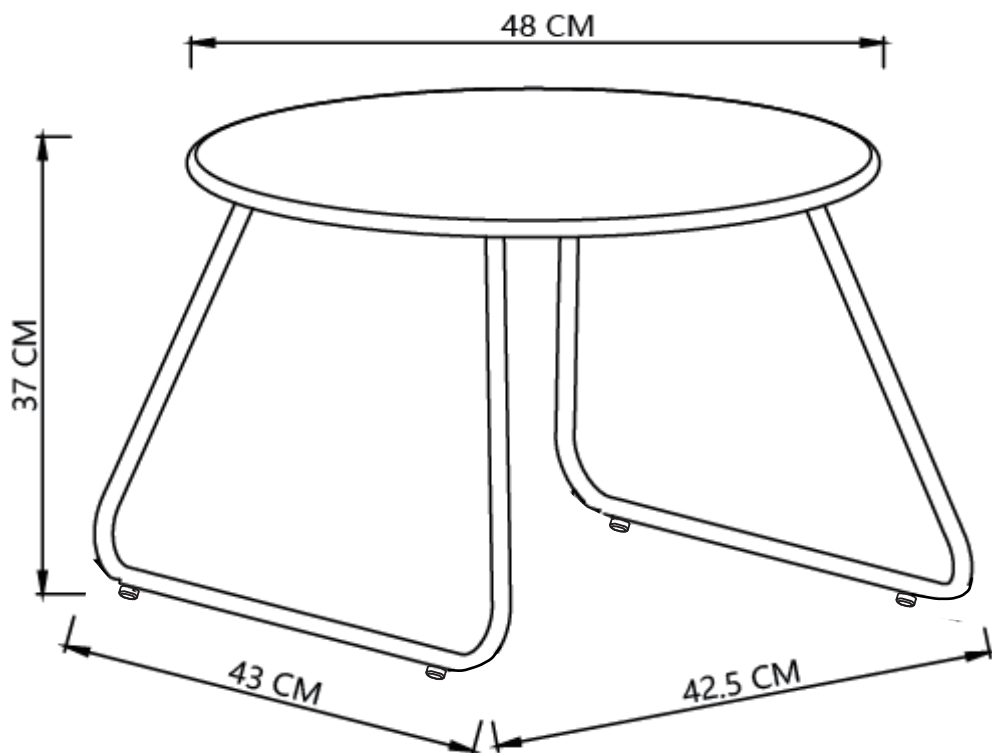
TABLE

Figure 7:



TABLE

Figure 8:



CARE INSTRUCTIONS

- To clean, wipe with a sponge and warm soapy water then wipe with a dry, clean cloth. Do not use solvent based cleaners or detergents as they can bleach or damage the product.
- Never use a pressure hose or washer to clean the product. Never use scourers, abrasives or chemical cleaners.
- Store the product in a cool, dry place. Before storage ensure that the product is clean and dry. We recommend the use of furniture covers to protect your product when not in use.
- Please note, the cushions are not waterproof and should not be left out in the rain.
- Please store the cushions in a cool, dry place when not in use.
- Please keep away from sources of extreme heat and naked flames.
- Periodically check all fixings to ensure none have come loose and re-tighten when necessary.
- Avoid sharp objects as these can damage or scratch the product.
- During bad weather and winter months, bring product indoors where possible or use a breathable furniture cover.

CONTACT
