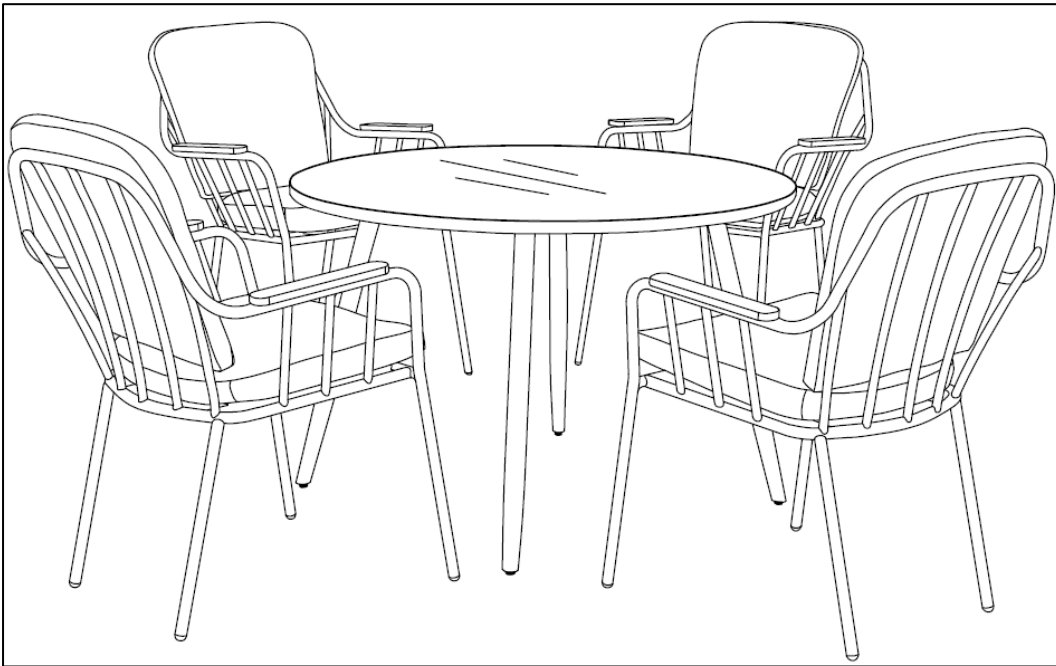


## Aura 4 seat outdoor dining set 982002



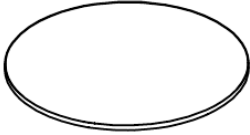





### BEFORE YOU START

- Retain these instructions for future reference.
- When you are ready to start, make sure that you have the right tools, plenty of space and a clean, dry area for assembly.
- Unwrap all packaging materials and place the components on top of the carton box or on a clean floor to prevent it from scratching.
- Check the pack and make sure you have all the parts listed.
- Ensure that this product is fully assembled as illustrated before use.

### WARNINGS

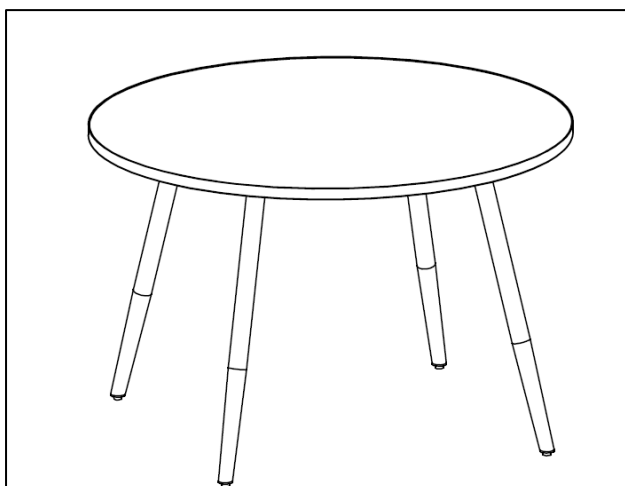
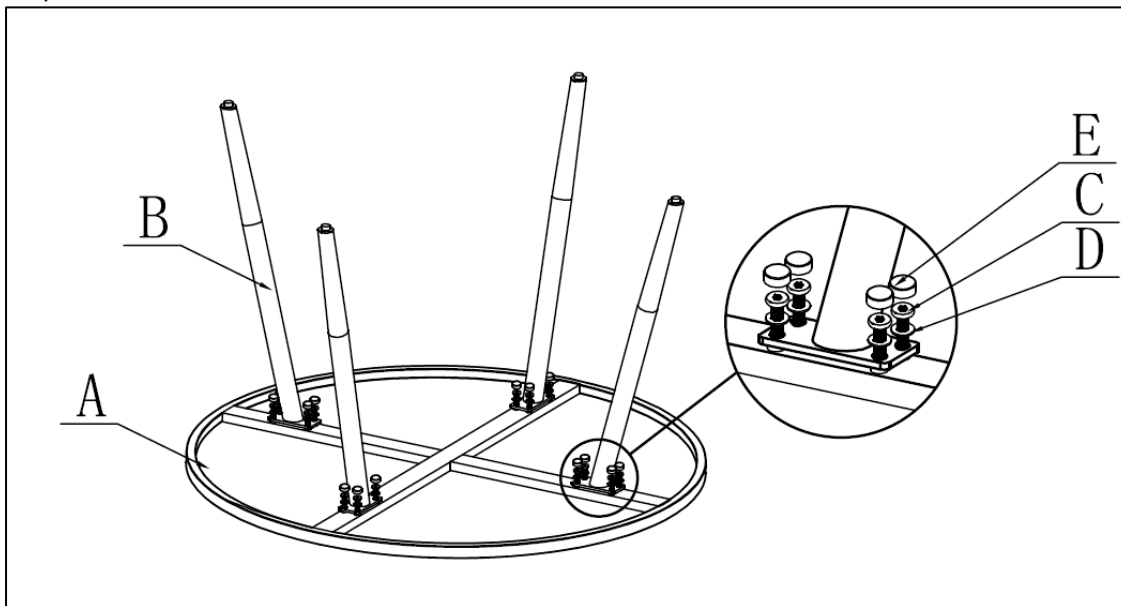
- Do not stand on the product. Do not sit on the table.
- Do not tighten the screws until fully assembled.
- Do not overtighten screws or bolts.
- This product should only be used on firm, level ground.
- Make sure the legs remain in contact with the ground.
- Keep small parts out of reach of children.
- Do not use this product if parts are missing, damaged or worn.
- This product is for domestic use only.
- Each chair is intended for a maximum weight of 110kg. Do not exceed this weight.
- Periodically, inspect and tighten all fixings to ensure the product remains secure.

## PARTS LIST – Table

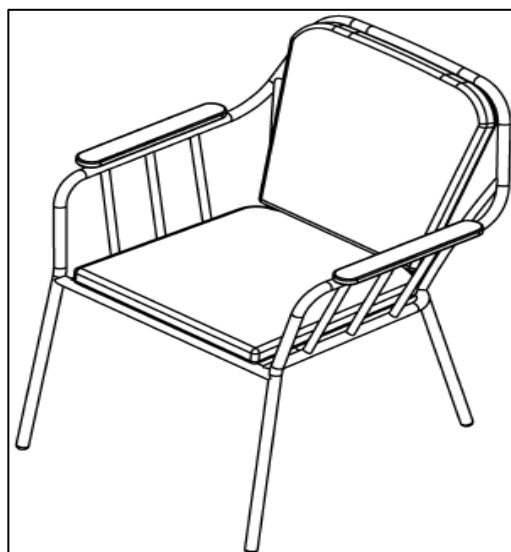
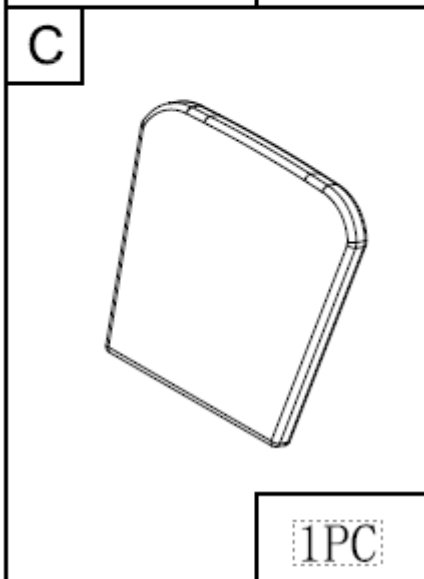
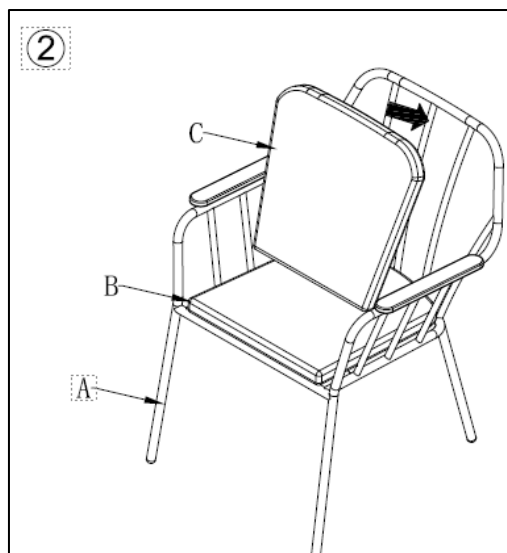
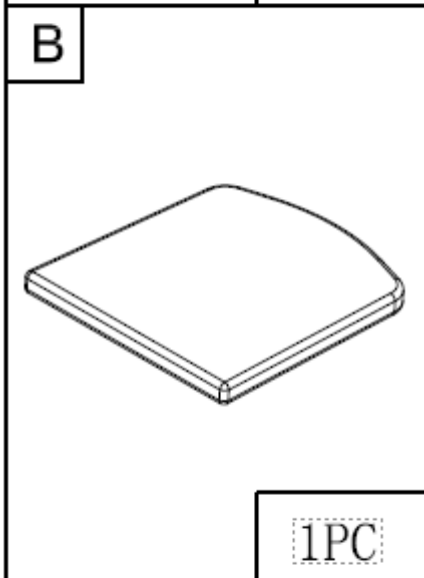
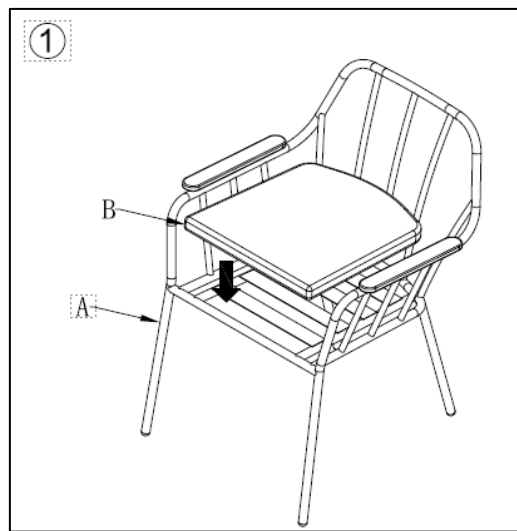
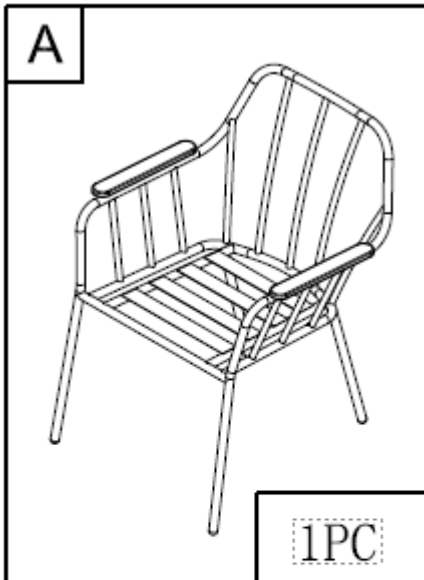
<p>(A)</p>  <p>1X</p>	<p>(B)</p>  <p>4X</p>	<p>(C)</p>  <p>M6*20 16X</p>	<p>(D)</p>  <p>16X</p>
<p>(E)</p>  <p>16X</p>	<p>(F)</p>  <p>1X</p>		

## ASSEMBLY INSTRUCTIONS – Table

Step 1



ASSEMBLY INSTRUCTIONS - Chair



## CARE INSTRUCTIONS

- To clean, wipe with a sponge and warm, soapy water then wipe with a dry, clean cloth. Do not use solvent-based cleaners or detergents as they can bleach or damage the product.
- Never use a pressure hose or washer to clean the product. Never use scourers, abrasives or chemical cleaners.
- The metal is powder coated. Do not use a wire brush when removing dirt from this item as it may damage the paint leaving the surface open to corrosion.
- Do not cut directly on the surface. Always use a cutting surface to avoid damaging the surface.
- Do not put boiling or hot items directly onto the glass as it will cause the glass to shatter.
- To help maintain its appearance and avoid scratches, never place sharp pointed objects directly onto the surface.
- After rain or snowfall, wipe off excess water or snow, especially from flat surfaces. Allow air to ventilate to avoid moisture and mould.
- Store the furniture in a cool, dry place. Ensure that the furniture is clean and dry before putting into storage. Do NOT put the product in a plastic or other non-permeable material as this creates moisture.
- Never drag furniture when moving it. Always lift it.
- Store the product in a cool, dry place. Before storage ensure that it is clean and dry.
- We recommend the use of furniture covers to protect your product when not in use.
- During bad weather and winter months, the product should be stored in a cool, dry place.
- Periodically check all fixings to ensure none have come loose and re-tighten when necessary.
- Please keep away from sources of extreme heat and naked flames.
- The warranty does not cover accidental damage/neglect or general wear and tear.

---

## CONTACT

---

CUSTOMER SERVICES - EMAIL: [CUSTOMER.SERVICE@DOBBIES.COM](mailto:CUSTOMER.SERVICE@DOBBIES.COM). TELEPHONE NUMBER: 0131 561 6406 OR CONTACT YOUR LOCAL STORE.

DOBBIES GARDEN CENTRES LTD, MELVILLE NURSERY, LASSWADE, MIDLOTHIAN, EH18 1AZ