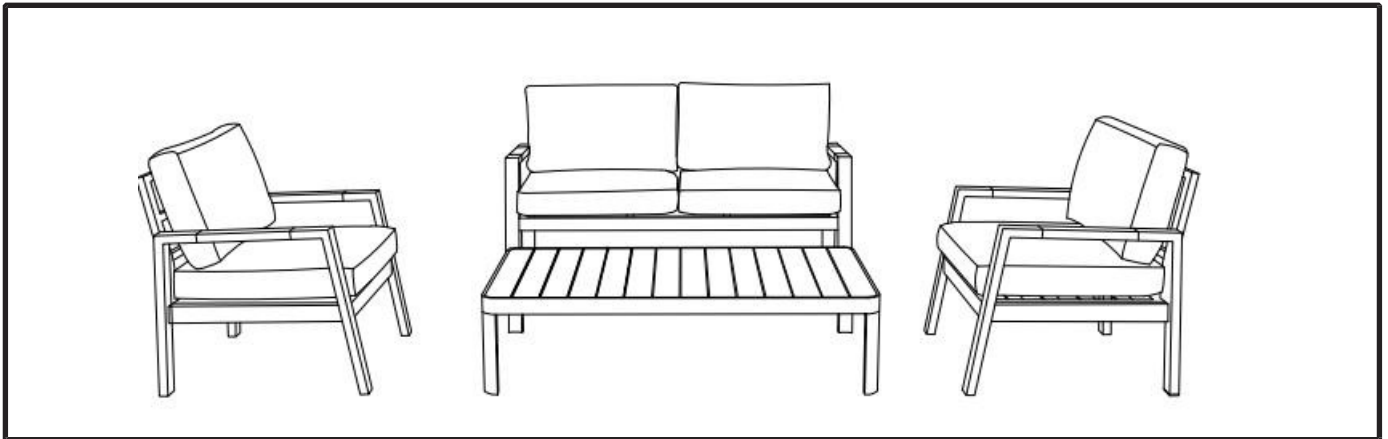


Boston Coffee Set 932588



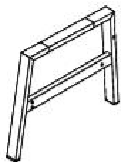
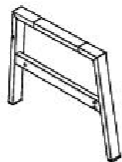

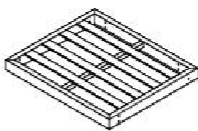










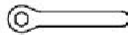

BEFORE YOU START

- Retain these instructions for future reference.
- When you are ready to start, make sure that you have the right tools, plenty of space and a clean, dry area for assembly.
- Unwrap all packaging materials and place the components on top of the carton box or on a clean floor to prevent it from scratching.
- Check the pack and make sure you have all the parts listed.
- Ensure that this product is fully assembled as illustrated before use.

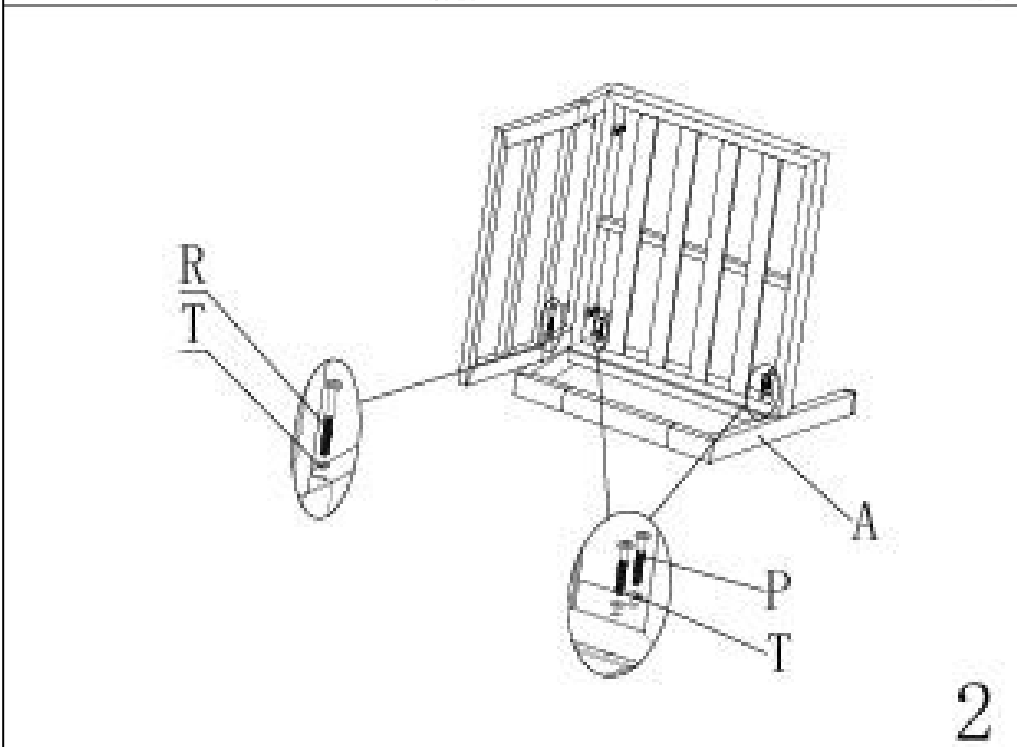
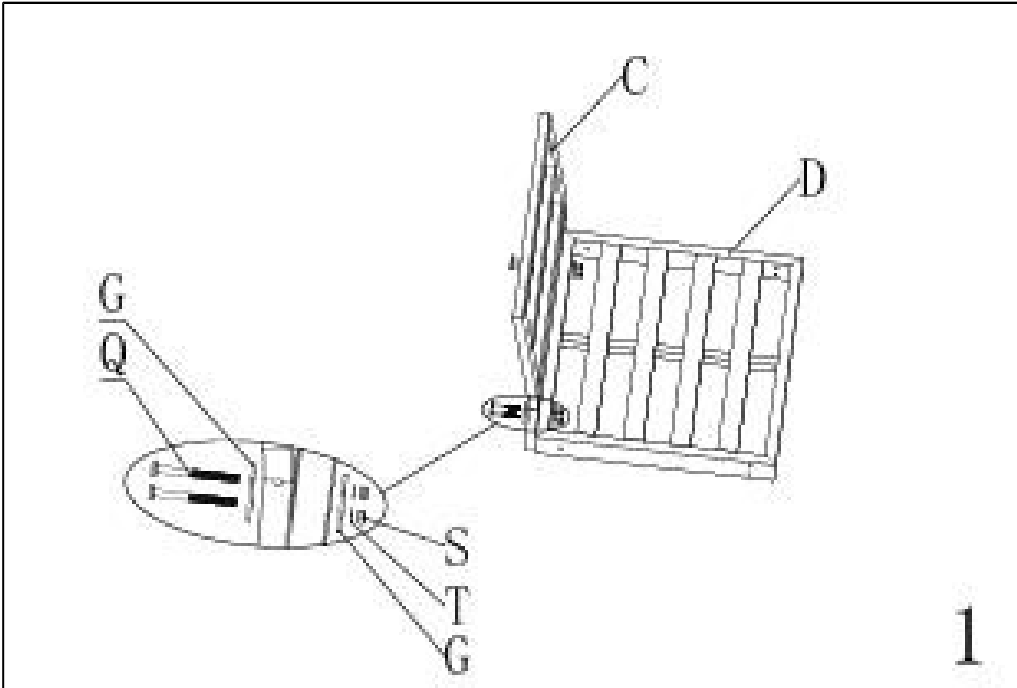
WARNINGS

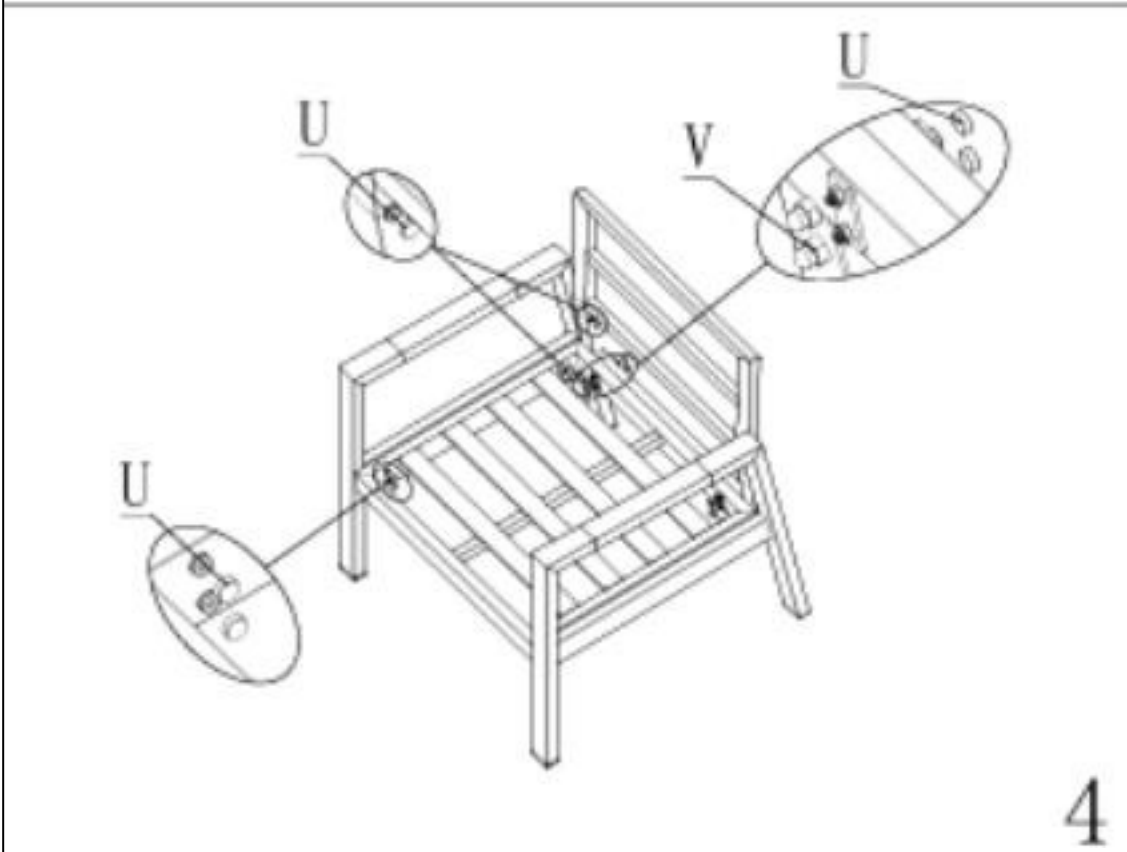
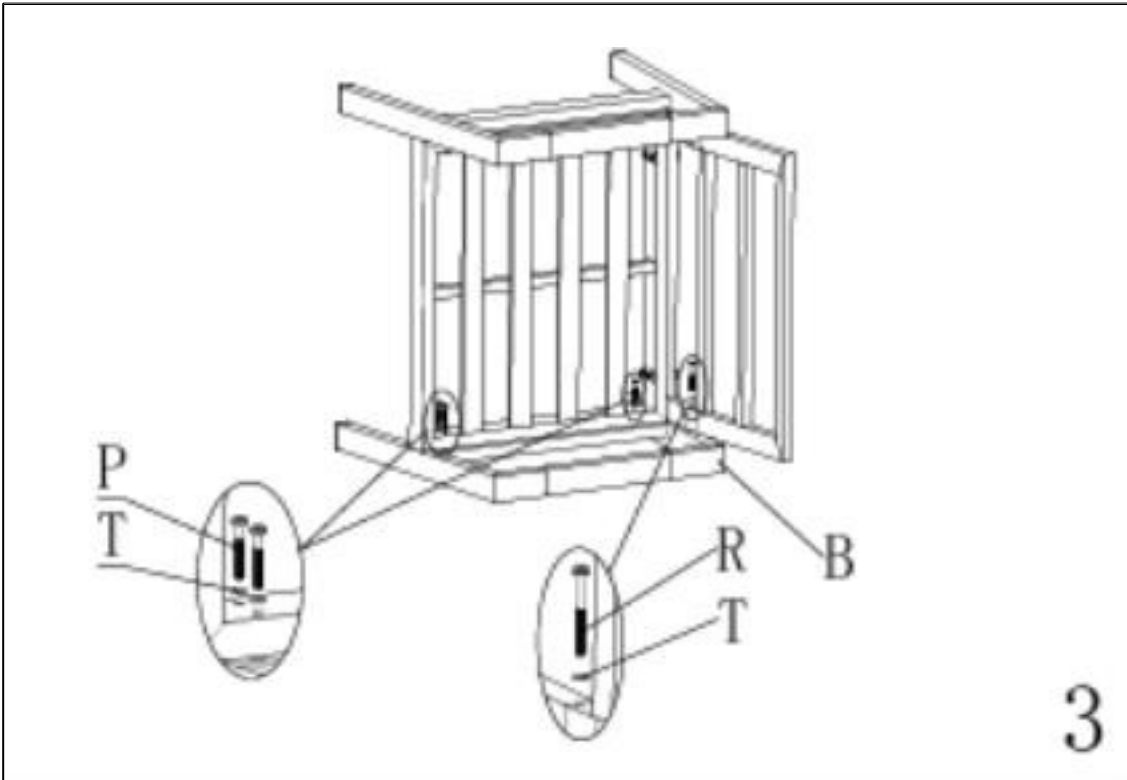
- Do not stand on the sofa, chairs, or table.
- Do not sit on the table.
- Do not overtighten screws or bolts.
- This product should only be used on firm, level ground.
- Make sure the legs remain in contact with the ground.
- Keep small parts out of reach of children.
- Do not use this product if parts are missing, damaged or worn.
- This product is for domestic use only.
- Periodically, inspect and tighten all fixings to ensure the product remains secure.
- Each chair is intended for a maximum weight of 110kg. The sofa is intended for a maximum weight 220kg. Do not exceed these weights.

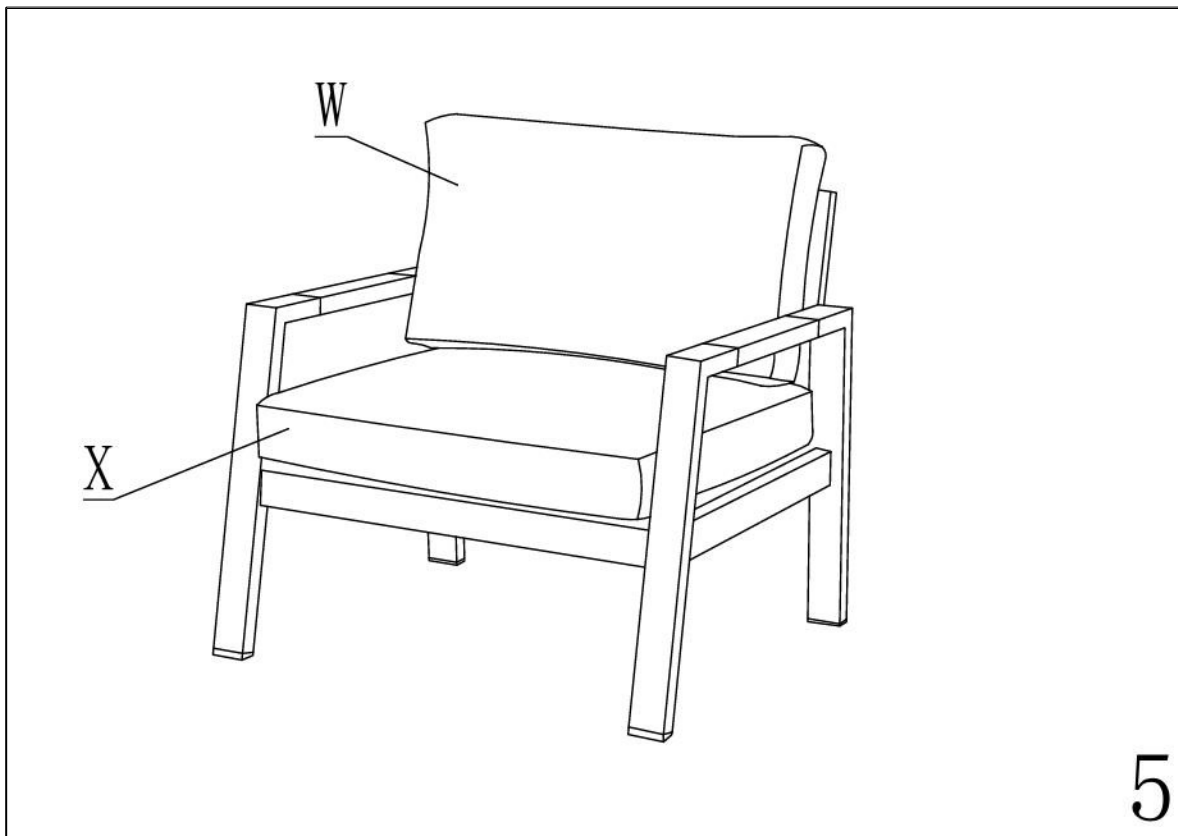
PARTS AND FITTINGS Chair

				
A 1PC	B 1PC	C 1PC	D 1PC	G 4PCS
				
P M6*42 6PCS	Q M6*70 4PCS	R M6*62 2PCS	S 4PCS	T 12PCS
				
U 12PCS	V 4PCS	W 1PC	X 1PC	Y 1PC
				
Z 1PC				

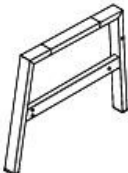


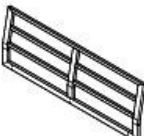












ASSEMBLY INSTRUCTIONS
Chair





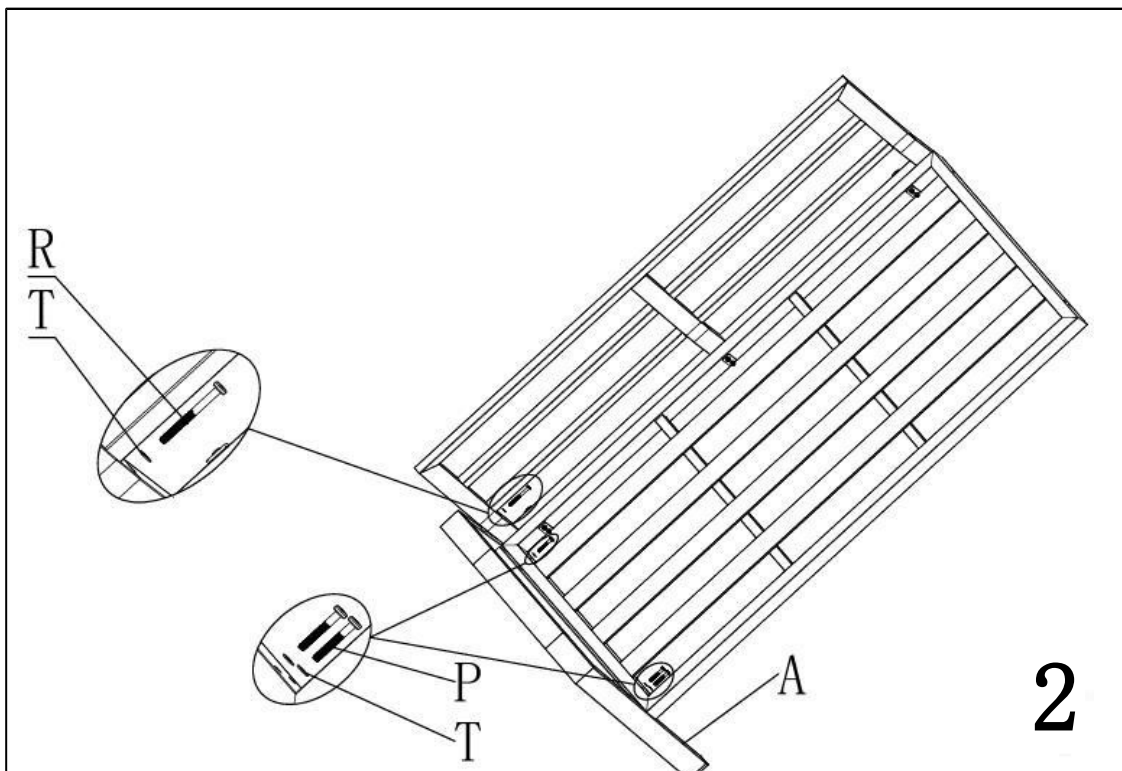
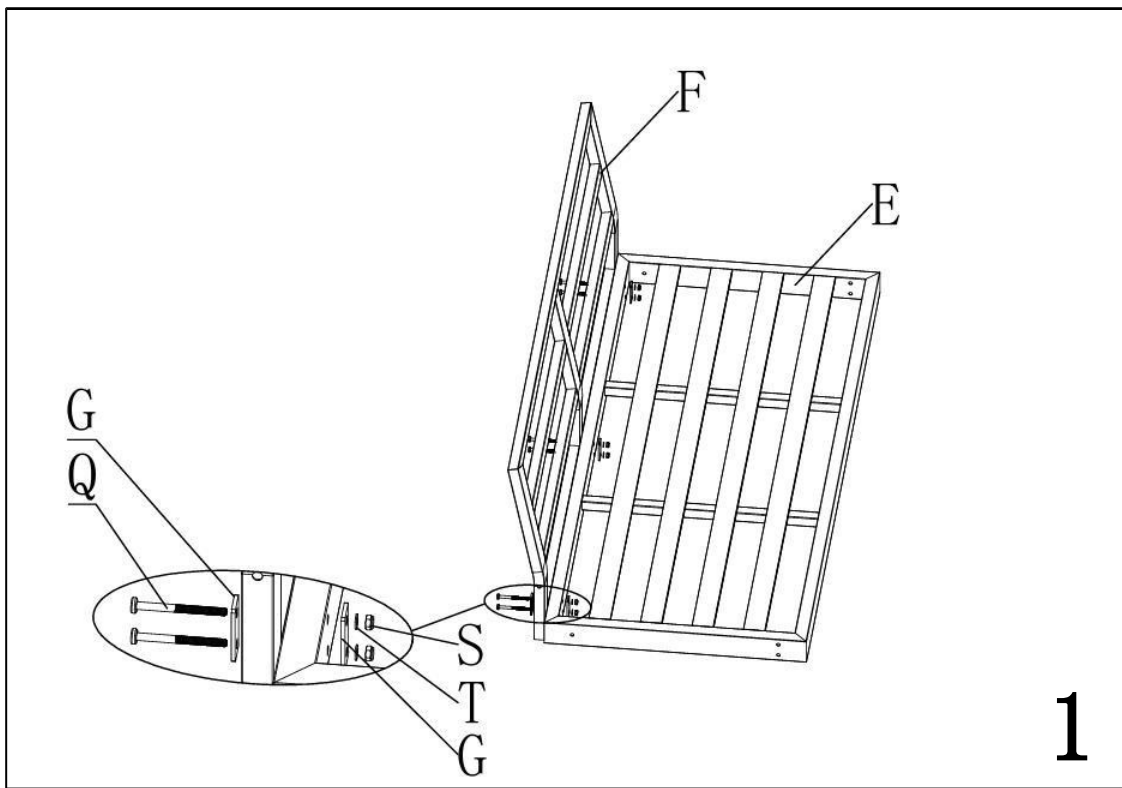


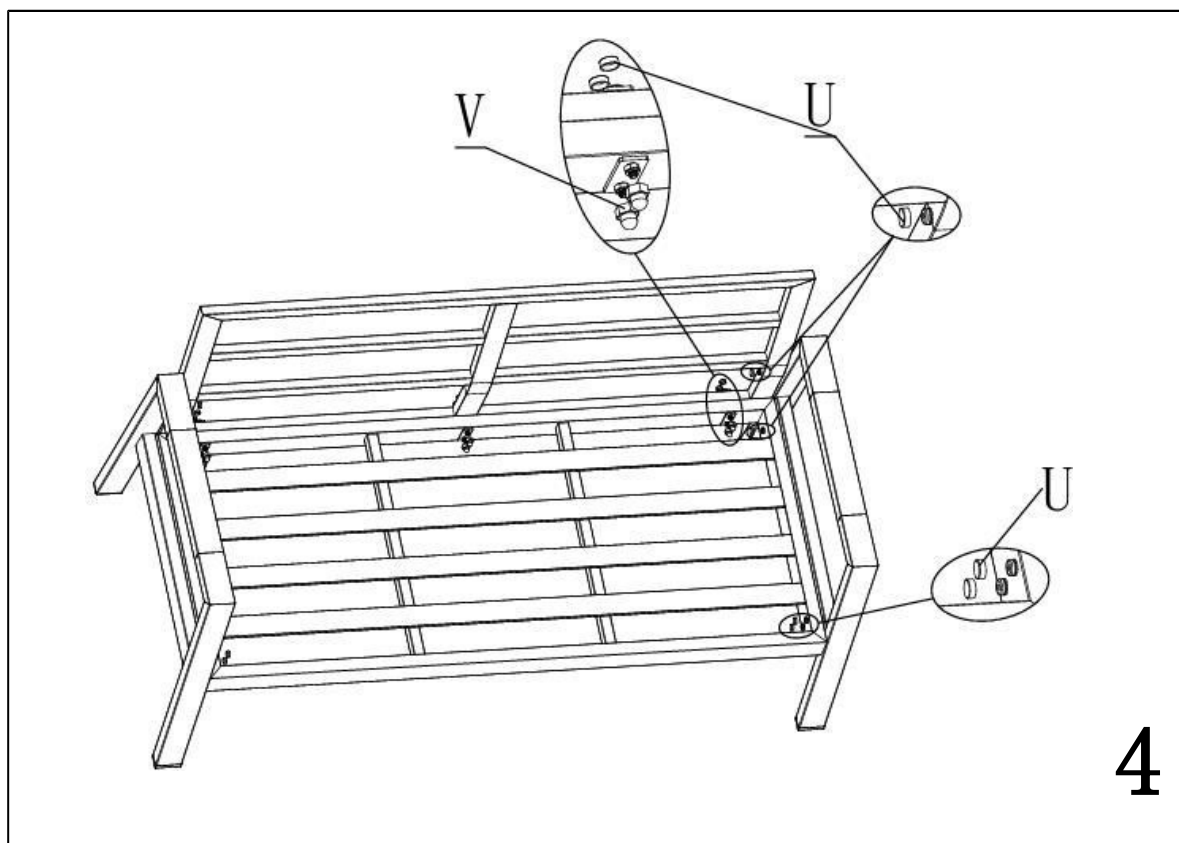
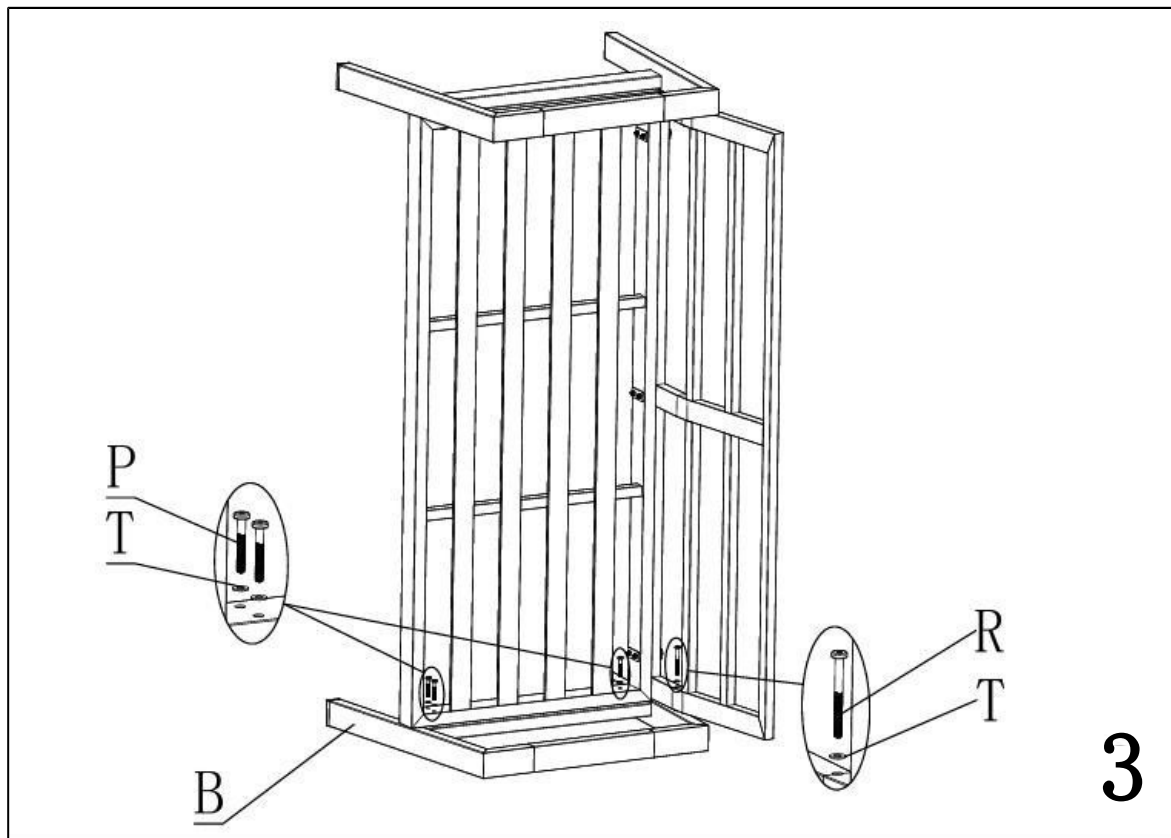
PARTS AND FITTINGS
Sofa

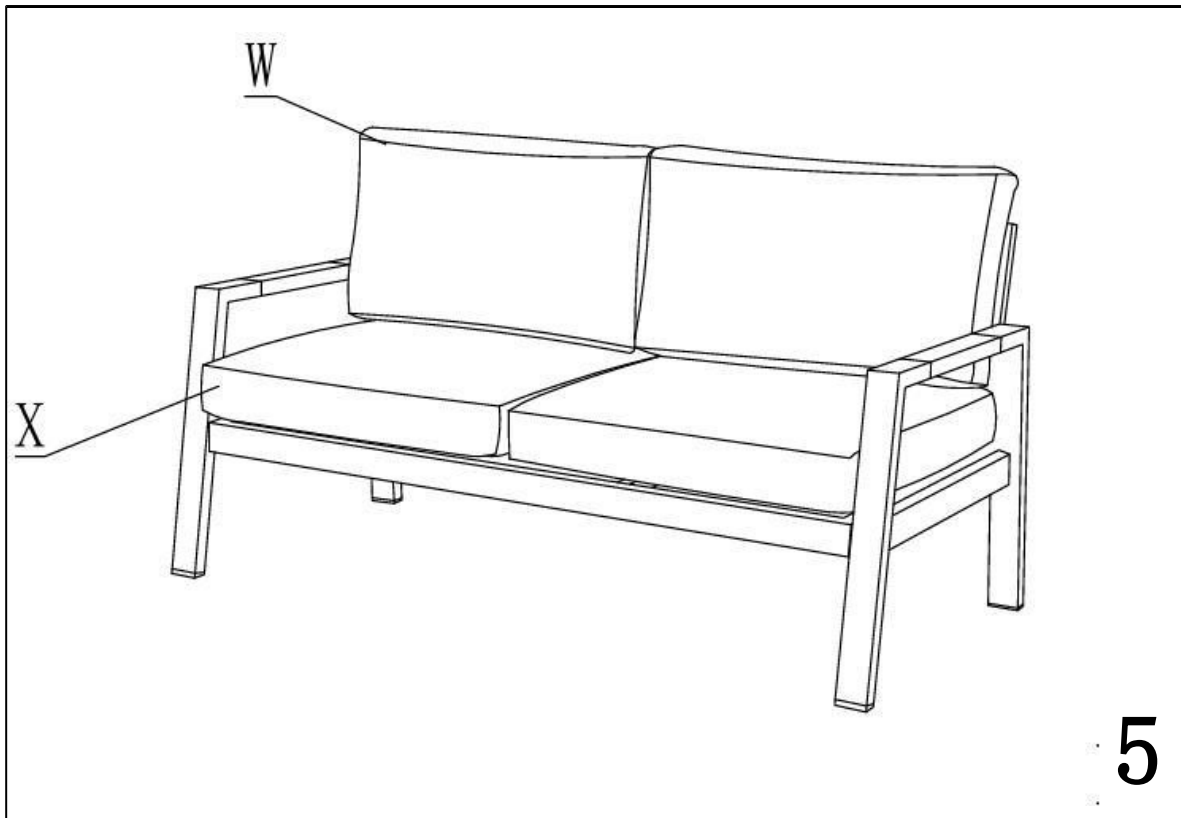
				
A 1PC	B 1PC	E 1PC	F 1PC	G 6PCS
				
P M6*42 6PCS	Q M6*70 6PCS	R M6*62 2PCS	S 6PCS	T 14PCS
				
U 14PCS	V 6PCS	W 2PCS	X 2PCS	Y 1PC
				
Z 1PC				

ASSEMBLY INSTRUCTIONS






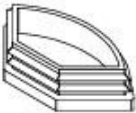

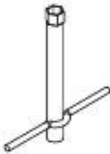
Sofa





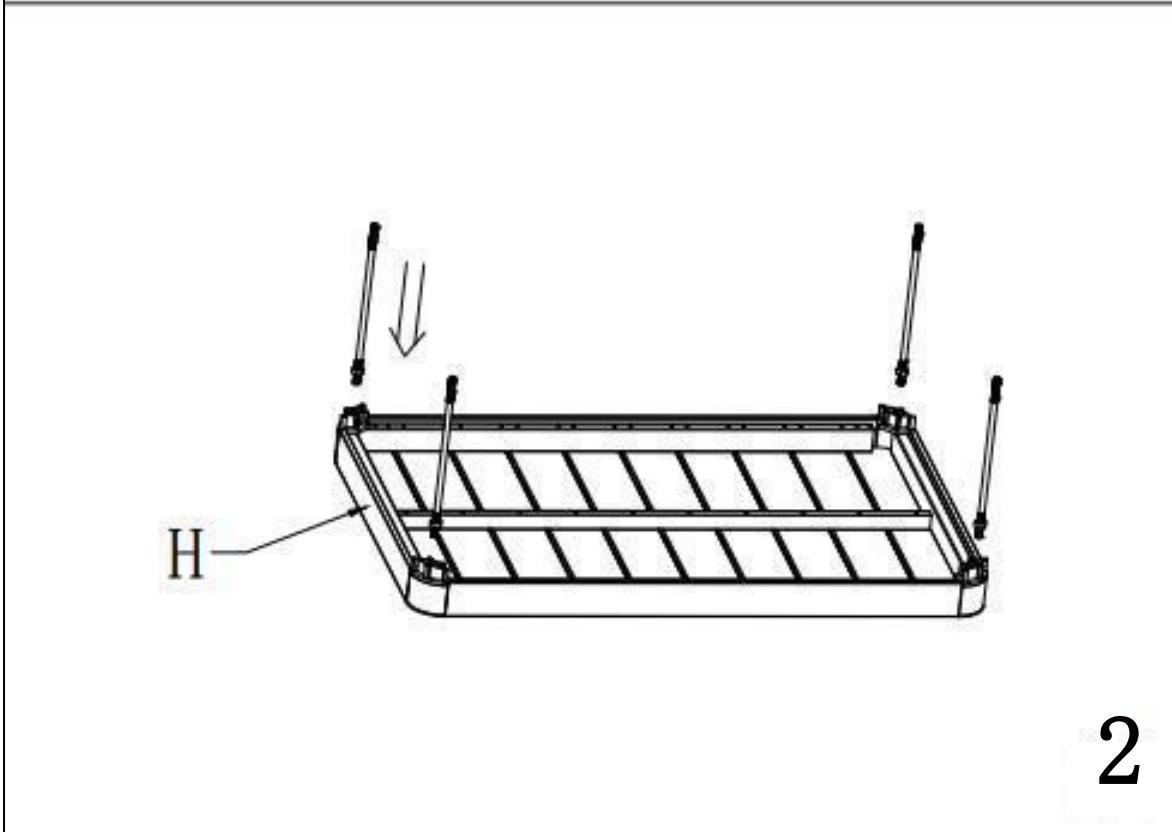
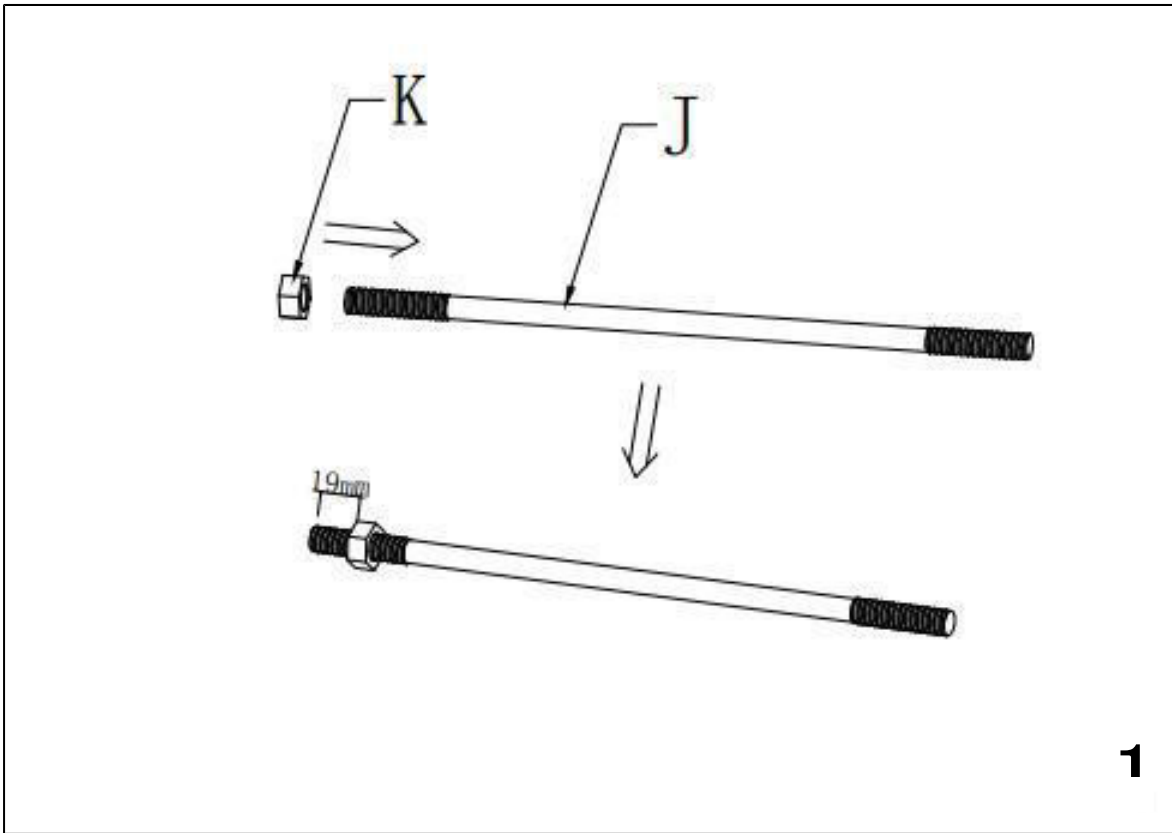


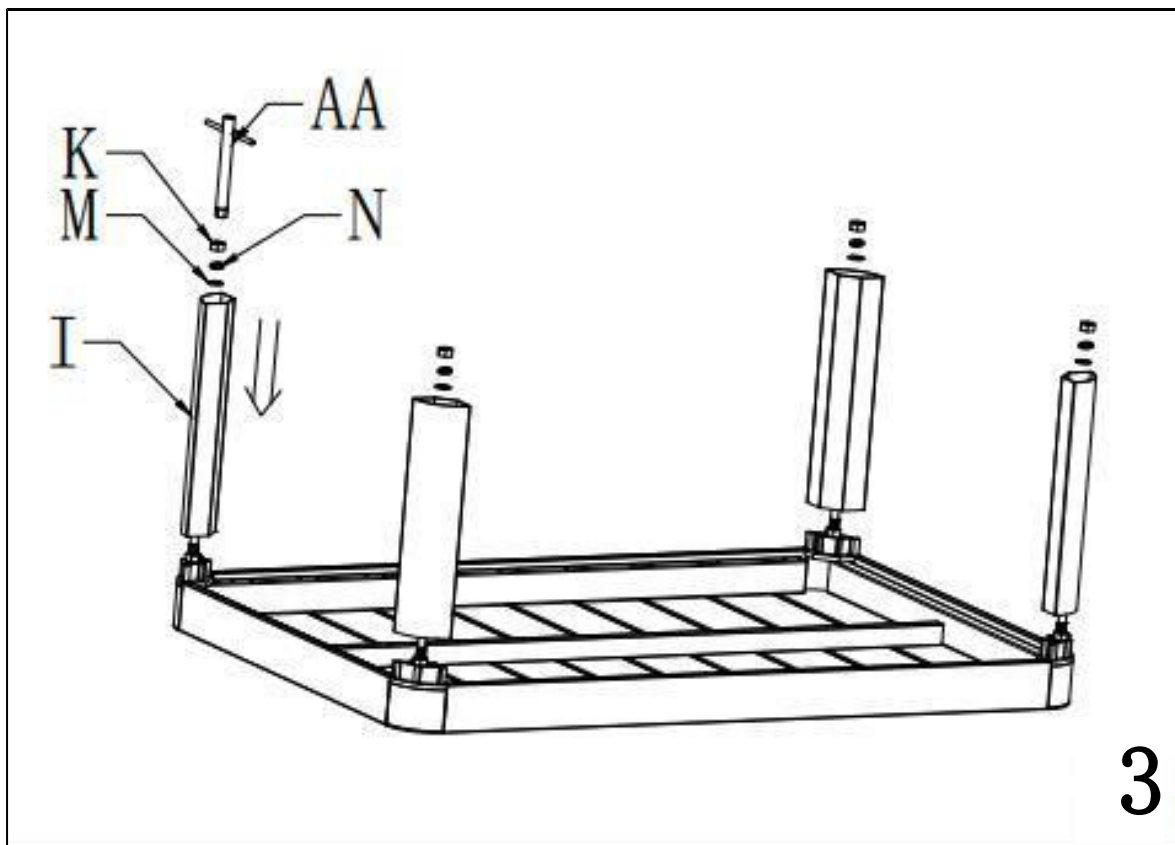
PARTS AND FITTINGS Table

															
<table border="1"> <tr> <td>H</td> <td></td> <td>1PC</td> </tr> </table>	H		1PC	<table border="1"> <tr> <td>I</td> <td></td> <td>4PCS</td> </tr> </table>	I		4PCS	<table border="1"> <tr> <td>J</td> <td></td> <td>4PCS</td> </tr> </table>	J		4PCS	<table border="1"> <tr> <td>K</td> <td>M10</td> <td>8PCS</td> </tr> </table>	K	M10	8PCS
H		1PC													
I		4PCS													
J		4PCS													
K	M10	8PCS													
															
<table border="1"> <tr> <td>M</td> <td>D10</td> <td>4PCS</td> </tr> </table>	M	D10	4PCS	<table border="1"> <tr> <td>O</td> <td></td> <td>4PCS</td> </tr> </table>	O		4PCS	<table border="1"> <tr> <td>N</td> <td>D10</td> <td>4PCS</td> </tr> </table>	N	D10	4PCS	<table border="1"> <tr> <td>AA</td> <td></td> <td>1PC</td> </tr> </table>	AA		1PC
M	D10	4PCS													
O		4PCS													
N	D10	4PCS													
AA		1PC													

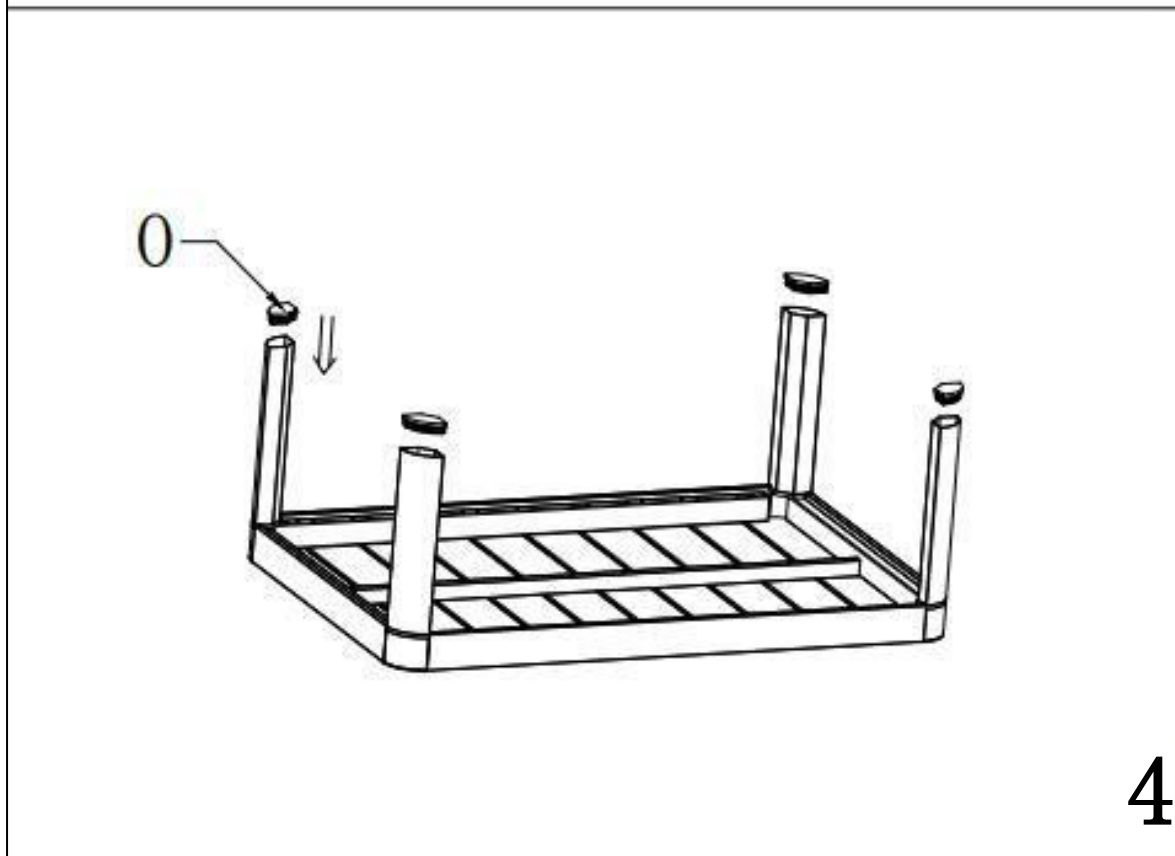
ASSEMBLY INSTRUCTIONS

Table

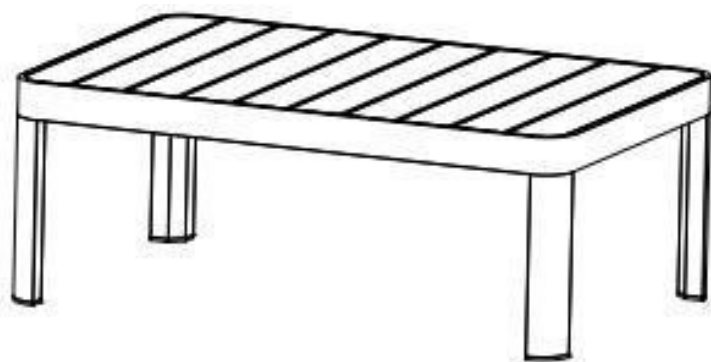




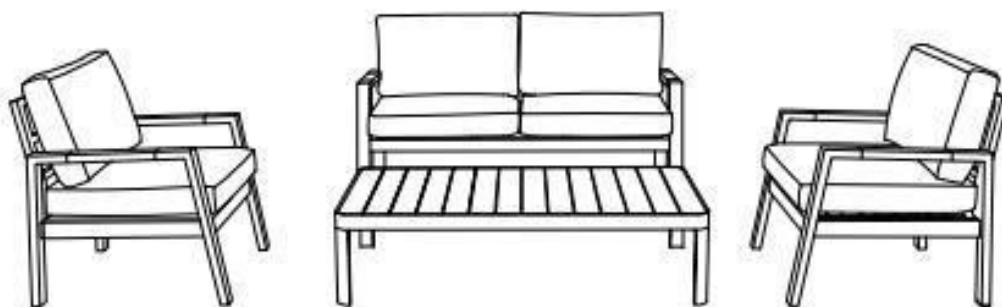
3



4



5



CARE INSTRUCTIONS

- To clean, wipe with a sponge and warm, soapy water then wipe with a dry, clean cloth. Do not use solvent-based cleaners or detergents as they can bleach or damage the product.
- Never use a pressure hose or washer to clean the product. Never use scourers, abrasives or chemical cleaners.
- The metal is powder coated. Do not use a wire brush when removing dirt from this item as it may damage the paint leaving the surface open to corrosion.
- Store the furniture in a cool, dry place. Ensure that the furniture is clean and dry before putting into storage.
- We recommend the use of furniture covers to protect your product when not in use.
- Please note, the cushions are not waterproof and should not be left out in the rain. Please store the cushions in a cool, dry place when not in use.
- During bad weather and winter months, the product should be stored in a cool, dry place
- Periodically check all fixings to ensure none have come loose and re-tighten when necessary.
- Please keep away from sources of extreme heat and naked flames.
- The warranty does not cover accidental damage/neglect or general wear and tear.

CONTACT
