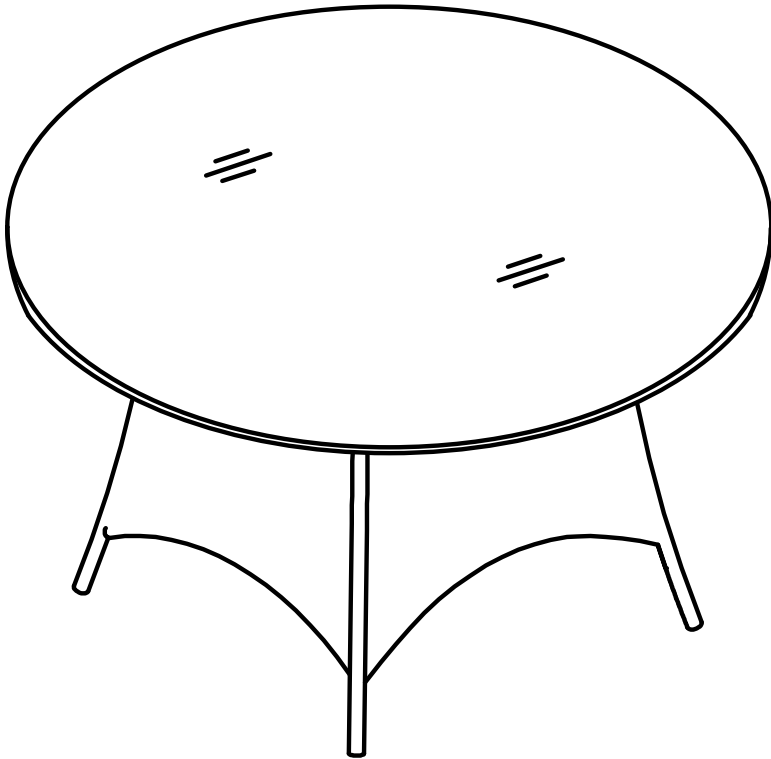


ASSEMBLY INSTRUCTIONS

BRAMBLECREST 80CM ROUND TABLE



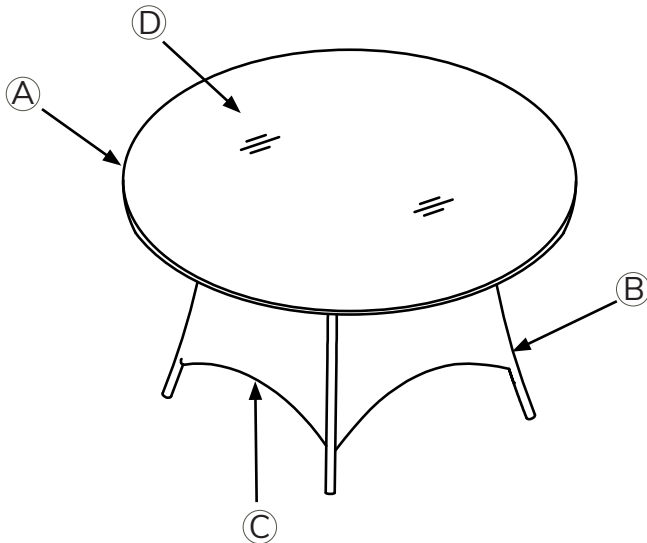
PLEASE KEEP THIS BOOKLET
SAFE FOR FUTURE REFERENCE.

THANK YOU

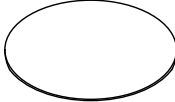

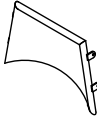




Thank you for choosing Bramblecrest garden furniture. These instructions include important information about the assembly, use and care of your furniture. Please take a moment to read through the instructions before beginning the step by step process.

Assembly advice

- Ensure that two people assemble the product together. Parts can be heavy, especially when lifting glass.
- Power tools are not required to assemble this product. Everything you need for the build is included with the furniture.
- Check that you have all the parts listed before you discard any packaging.
- Assemble the furniture on a non-abrasive surface such as a dust sheet or the original cardboard packaging.
- Do not over-tighten screws.
- Please ensure product is fully assembled before use.
- Keep small parts out of reach of children.
- Make sure all legs are fitted securely and are in contact with the ground.



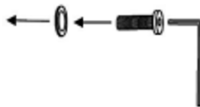
INVENTORY

CODE	PART		QTY
A	Table Top		1
B	Table Leg		2
C	Table Base Panel		2
D	Safety Glass		1
E	Washers		12
F	Screws M6 20mm		12
G	Allen Key		1

Persons required

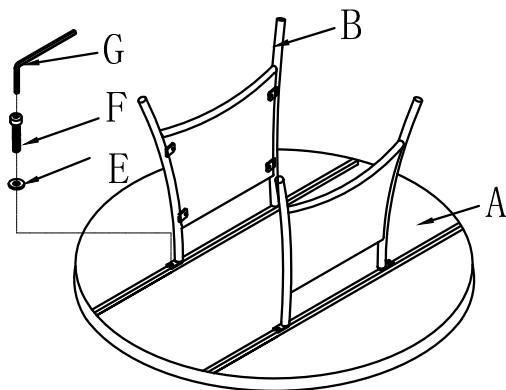


Tools required



STEP ONE

Place the table top (A) upside down on a soft surface and screw in the table legs (B) using the screws (F) and washers (E) provided. Ensure table legs are screwed together loosely for now.



(A) Table Top x1



(B) Table Legs x2



(E) Washers x8



(F) Screws M6
20mm x8

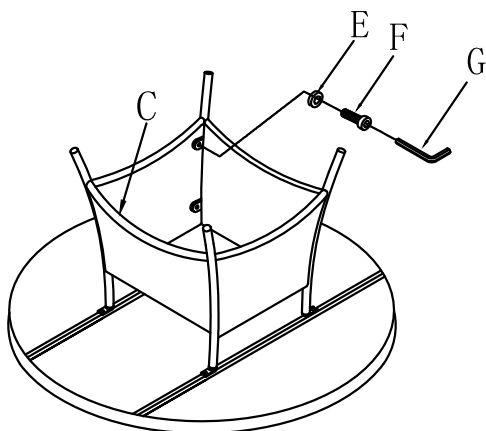


(G) Allen Key



STEP TWO

Add the rattan panels (C) to the structure. Align the holes on the panels and table legs and screw them tightly together.



(C) Table Base
Panels x2



(E) Washers x4



(F) Screws M6
20mm x4

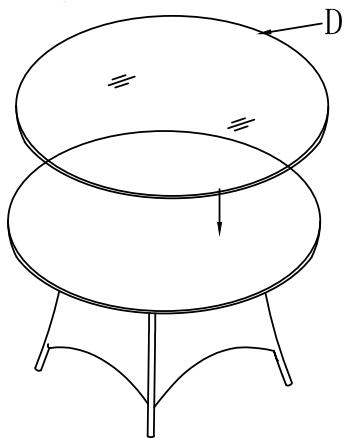


(G) Allen Key



STEP THREE

With the help of another person, carefully flip the table onto its feet and place the safety glass gently onto the table top.

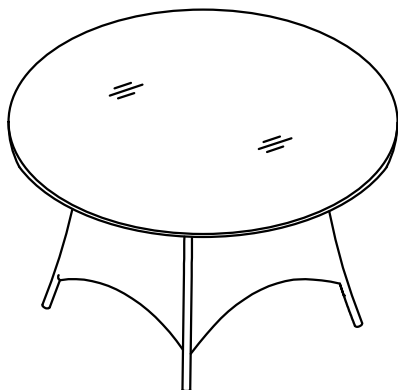


(D) Safety Glass x1



Your product is now ready for use

The hard work is done and your Bramblecrest furniture is now ready for the great outdoors. To enhance the long term use of your furniture, we suggest that you periodically check it to ensure that all components are in the proper position and free from damage; also make sure connectors are tight and secure. Please keep these instructions for future reference.



CARE & MAINTENANCE

To uphold the terms and conditions outlined in our guarantee and to maintain the condition of your Bramblecrest furniture, we recommend that you follow the guidance below:

Furniture cushions

- Bramblecrest furniture can be left outdoors all year round, excluding cushions.
- During prolonged periods of non-use, store furniture cushions away in a well-ventilated garage or outbuilding. Make sure they are clean and dry when you put them away and be aware of mice and other nibbling pests.

Table tops

- Use coasters to protect table tops from heat and water marks.

Rattan

- For rattan furniture, use a soft brush to clear away any leaves or garden debris. If there are any dirty marks on the rattan or table top, clean with a cloth and warm soapy water. When dry, cover the furniture with the appropriate cover for your furniture set.

Aluminium

- For aluminium furniture, clean the frame and table top with a soft cloth and warm soapy water. As the aluminium is powder-coated, it will not rust so can be left outside to elements. However, if you wish to protect it from garden debris and bird excrement, it can be covered with our furniture covers.

Parasols

- Do not leave open parasols unattended.
- Parasols should be closed during windy weather.
- Parasols should be closed and covered with a parasol cover when the canopy is dry. Best to store indoors during prolonged periods of non-use, especially if situated in an exposed location.

Teak

- Teak tables and benches should be left uncovered. Due to the natural properties of teak, the furniture will mellow to a silver-grey colour.

Firepits

- Periodically remove the lava rocks and examine the burner and its components for faults.
- Clean portholes in the burner, making sure there are no obstructions.
- Before use, check the gas bottle and connecting hose are not cracked or damaged in any way.
- To clean the safety glass shield, we recommend the use of any proprietary glass or window cleaner.

Covers

- Bramblecrest covers for your product are available from our online shop or from your Bramblecrest stockist.
- When using furniture covers, remember to check from time to time that any pooled areas of rainwater are pushed off.

General

- Any moving parts should be lubricated at the beginning and end of the outdoor season.
- At the end of this product's life span, please dispose of it responsibly and recycle where possible.
- Visit our website for more handy care tips and videos www.bramblecrest.com

HELP & ADVICE

If you need advice about assembling your product, please contact our customer support team with your order number – contact details are shown below.

What should you do if you encounter a problem?

If you purchased a Bramblecrest product via one of our stockists, please contact them in the first instance to discuss their replacements or returns process.

Any faulty goods must be reported within 24 hours of delivery.

When returning an item that you purchased directly from us, please contact the support team either via email, chat or phone with your order number and they will be able to best advise you with your query.

For full terms and conditions regarding returns and replacements, please visit our website.

Purchases must be registered at www.bramblecrest.com/registration within 28 days of delivery in order to claim your guarantee*.

Email	customersupport@bramblecrest.com
Telephone	01285 760974 Mon-Fri 9am-5pm
Live chat	Please find the chat button situated in the bottom right of our webpage

*For full terms on our product guarantee, please visit our website.