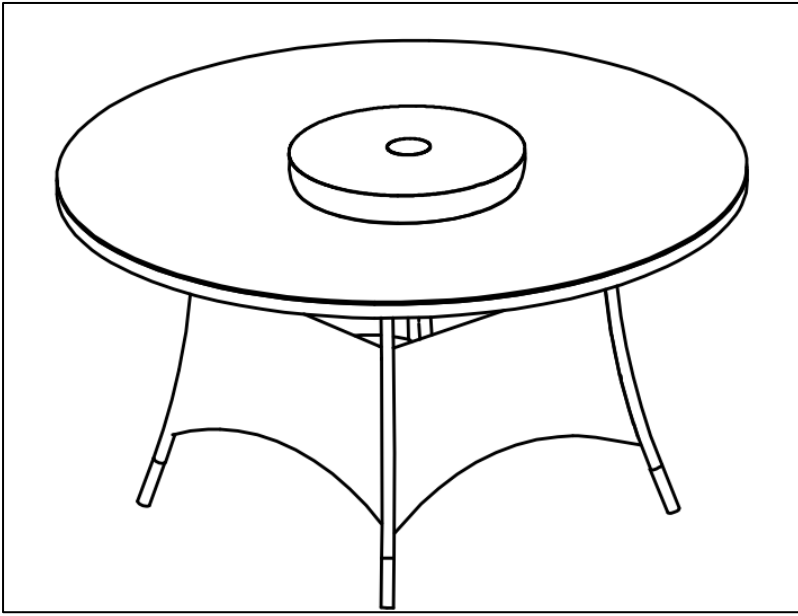


## Malmo 8 Seat Round Dining Set

983514



### BEFORE YOU START

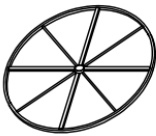

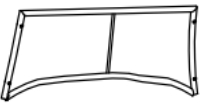
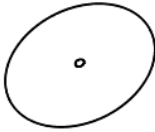





- Retain these instructions for future reference.
- When you are ready to start, make sure that you have plenty of space and a clean, dry area for assembly.
- Unwrap all packaging materials and place the components on top of the carton box or on a clean floor to prevent it from scratching.
- Check the pack and make sure you have all the parts listed.
- Ensure that this product is fully assembled as illustrated before use.

### WARNINGS

- Do not sit or stand on the table.
- Do not tighten the screws until fully assembled.
- Do not overtighten screws or bolts.
- Keep small parts out of reach of children.
- Do not use this product if parts are missing, damaged or worn.
- This product is for domestic use only.
- This product should only be used on firm, level ground.
- Periodically, inspect and tighten all fixings to ensure the product remains secure.

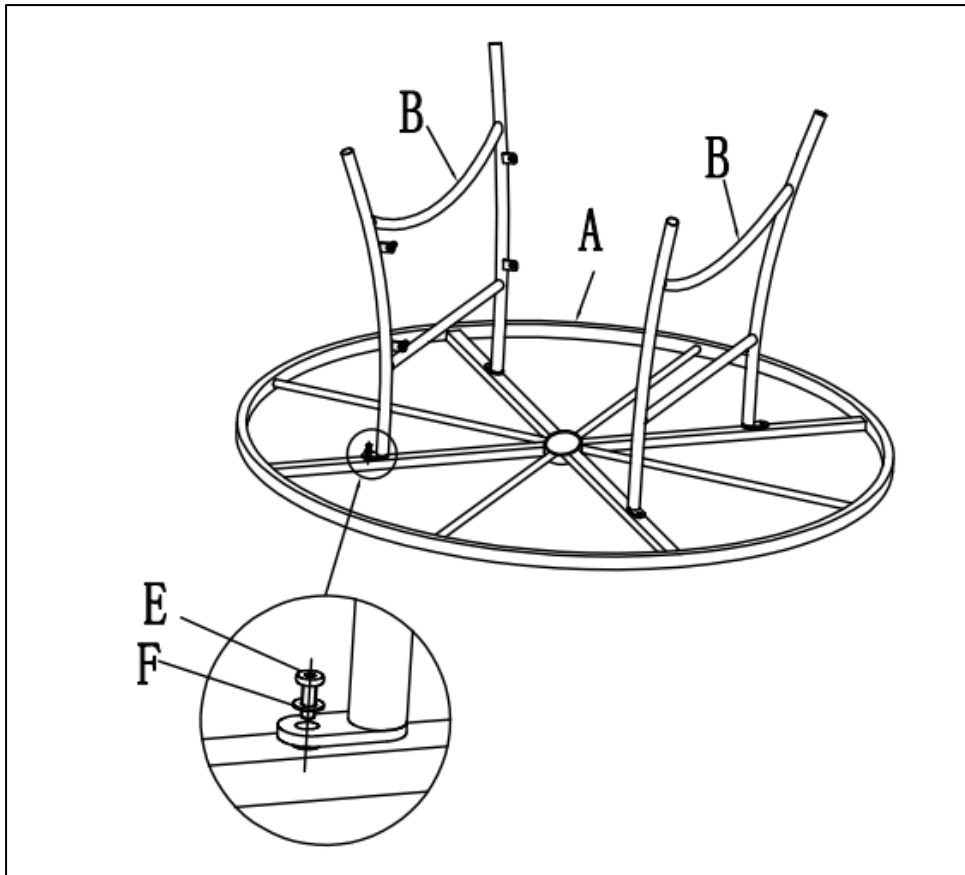
## ASSEMBLY INSTRUCTIONS

## PARTS SUPPLIED

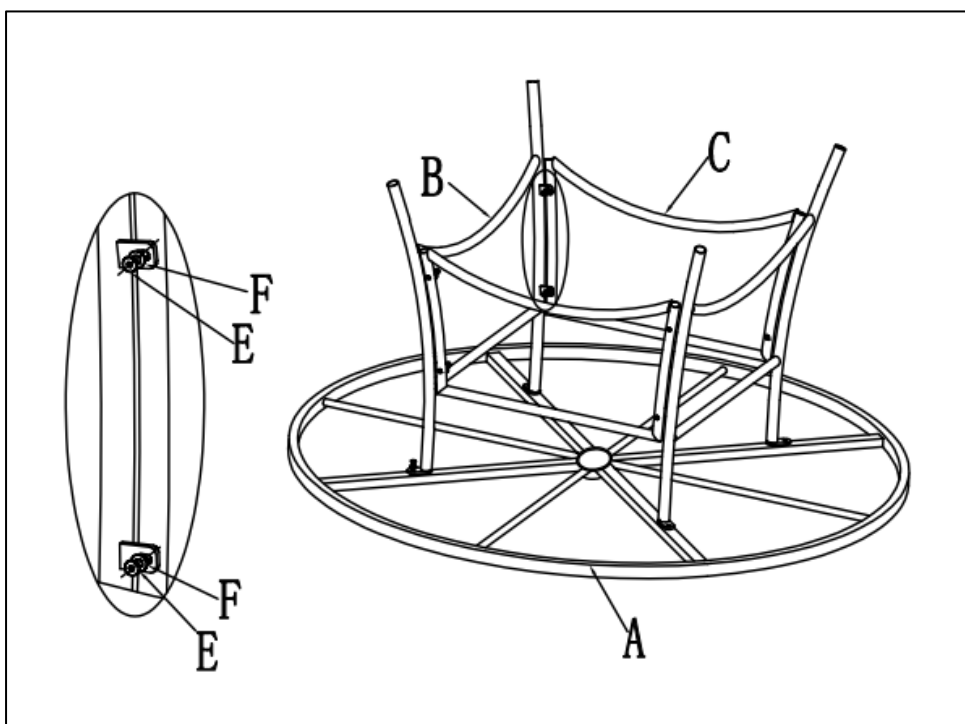
REF	DESCRIPTION	ILLUSTRATION	QUANTITY
A	Table Top		1
B	Leg B		2
C	Leg C		2
D	Glass		1
E	Screws		12
F	Washer		12
G	Allen key		1
H	Lazy susan		1
I	Glass Dia 60cm		1

## ASSEMBLY IMAGES & STEPS

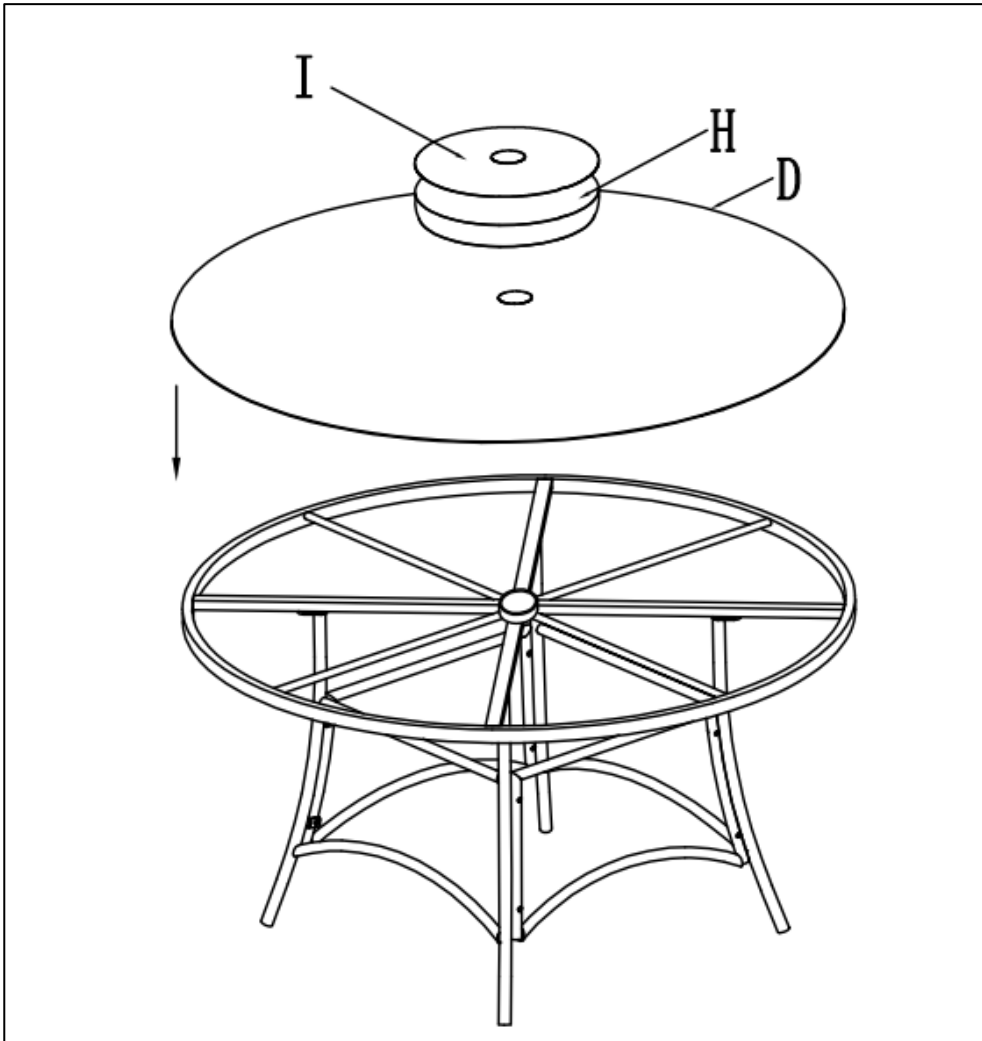
Step 1



Step 2



Step 3



## CARE INSTRUCTIONS

- To clean, wipe with a sponge and warm, soapy water, then wipe with a dry, clean cloth. Do not use solvent-based cleaners or detergents as they can bleach or damage the product.
- Never use a pressure hose or washer to clean the product. Never use scourers, abrasives, or chemical cleaners.
- Do not cut directly on the surface. Always use a cutting surface to avoid damaging the surface.
- Do not put boiling or hot items directly onto the glass as it will cause the glass to shatter.
- If any liquid spills onto the rattan, clean it immediately with a damp cloth, and always refer to the care label.
- After rain or snowfall, wipe off excess water or snow, especially from flat surfaces. Allow air to ventilate to avoid moisture and mould.
- We recommend the use of a furniture cover when product not in use.
- To help maintain its appearance and avoid scratches, never place sharp pointed objects directly onto the surface.
- Due to the rattan being hand-woven, the weave may contain some colour and finishing variations. This is normal.
- In high temperatures, with direct sunlight, the glass/glass objects placed on top of the table, may concentrate the sun's rays and melt/damage the rattan.
- To prevent this, consider placing your rattan furniture in a shaded area or using a protective covering when it's not in use, or use a protective mat when in use.
- Store the furniture in a cool, dry place. Ensure that the furniture is clean and dry before putting into storage. Do NOT put the product in a plastic or other non-permeable material as this creates moisture.
- Never drag furniture when moving it. Always lift it.
- Periodically check all fixings to ensure none have come loose and re-tighten when necessary.
- Never tilt the furniture. Ensure the furniture is always placed firmly on a solid, level surface.
- Please keep away from sources of extreme heat and naked flames.
- The warranty does not cover accidental damage/neglect or general wear and tear.

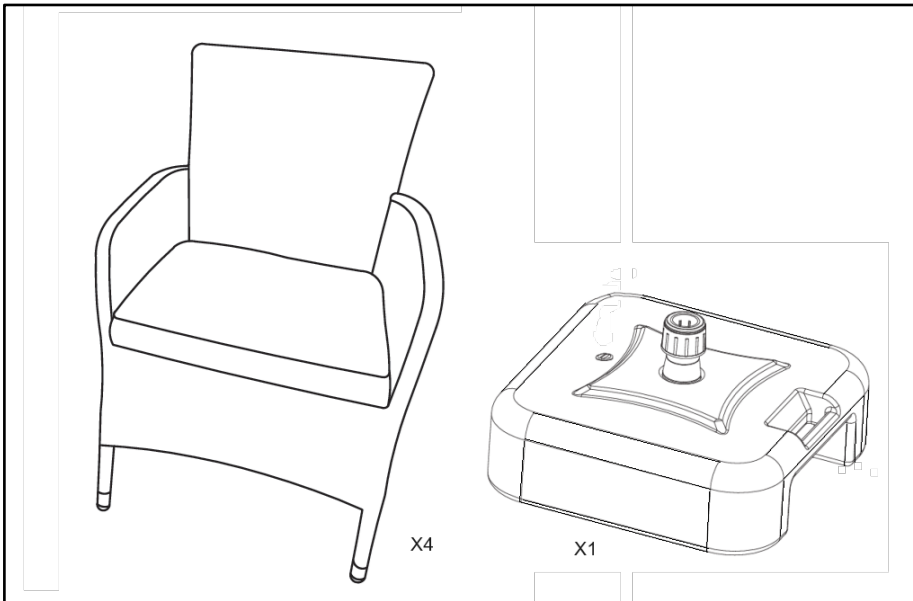
---

## CONTACT

---

CUSTOMER SERVICES - EMAIL: [CUSTOMER.SERVICE@DOBBIES.COM](mailto:CUSTOMER.SERVICE@DOBBIES.COM). TELEPHONE NUMBER: 0131 561 6406 OR CONTACT YOUR LOCAL STORE.  
DOBBIES GARDEN CENTRES LTD, MELVILLE NURSERY, LASSWADE, MIDLOTHIAN, EH18 1AZ

## Chairs and parasol base



### BEFORE YOU START


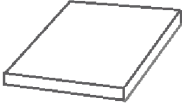

- Retain these instructions for future reference.
- When you are ready to start, make sure that you have plenty of space and a clean, dry area for assembly.
- Unwrap all packaging materials and place the components on top of the carton box or on a clean floor to prevent it from scratching.
- Check the pack and make sure you have all the parts listed.
- Ensure that this product is fully assembled as illustrated before use.

### WARNINGS

- Do not stand on the chair. Do not sit or stand on the parasol base.
- Each chair is intended for a maximum weight of 110kg. Do not exceed this weight.
- Do not tighten the screws until fully assembled.
- Do not overtighten screws or bolts.
- Keep small parts out of reach of children.
- Do not use this product if parts are missing, damaged or worn.
- As the parasol base will be heavy when filled with water or water & sand; before filling decide on an appropriate location for the product and take care when lifting. Fill the base with either water or water and sand.
- If the base has been filled with water, do not leave it out in freezing temperatures.
- This product is for domestic use only.
- This product should only be used on firm, level ground.

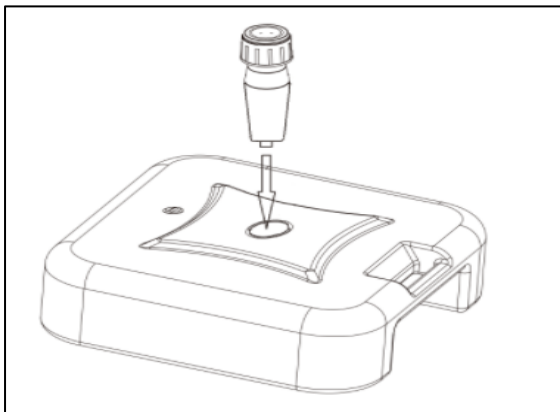
## ASSEMBLY INSTRUCTIONS

### PARTS SUPPLIED

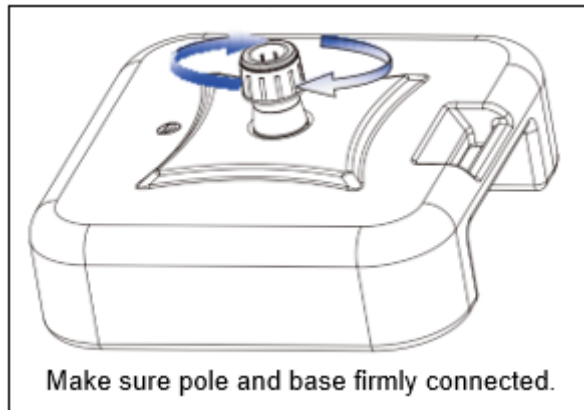
REF	DESCRIPTION	ILLUSTRATION	QUANTITY
1	CHAIR		4
2	CUSHION		4
3	PARASOL BASE		1

### ASSEMBLY IMAGES & STEPS

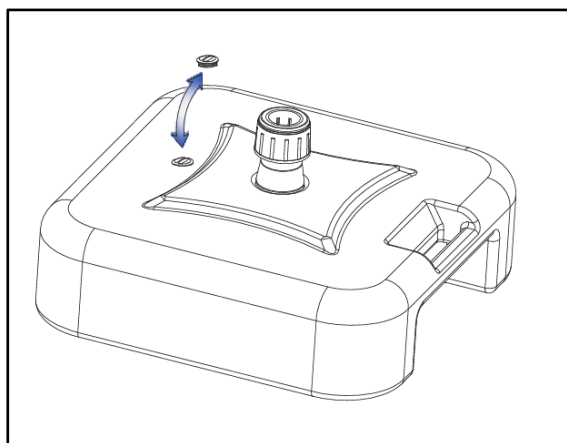
Step 1



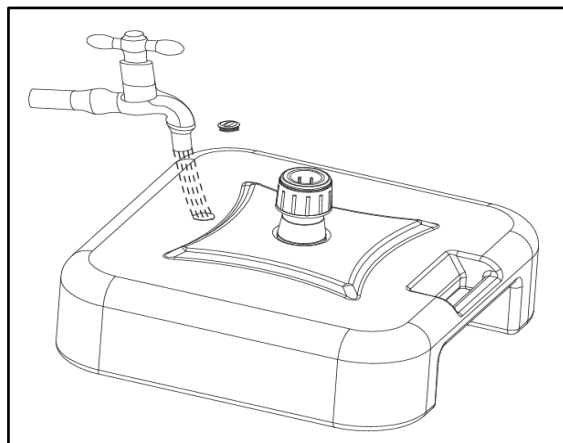
Step 2



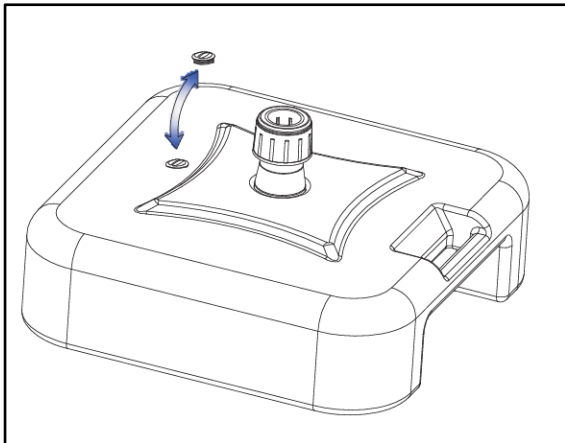
Step 3



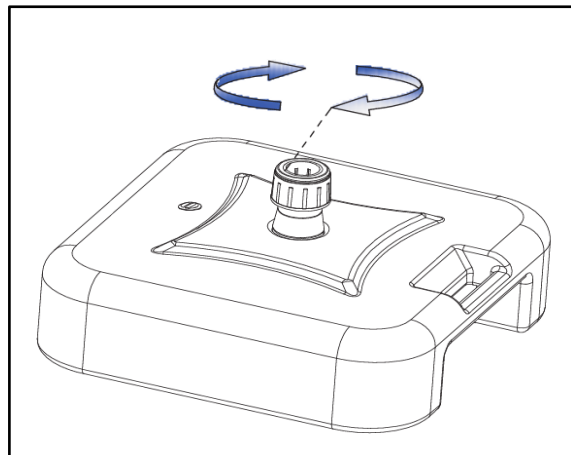
Step 4



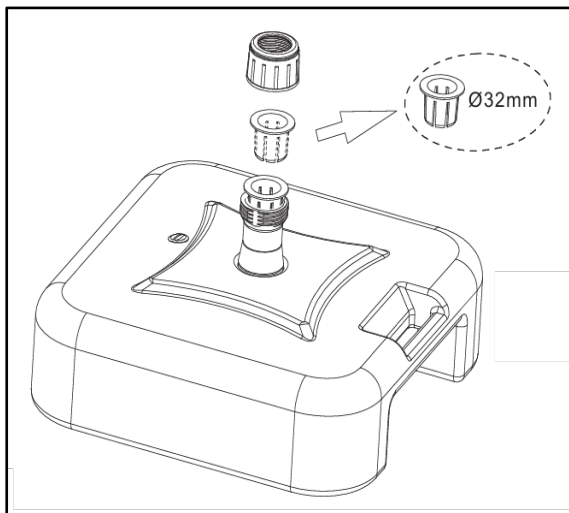
Step 5



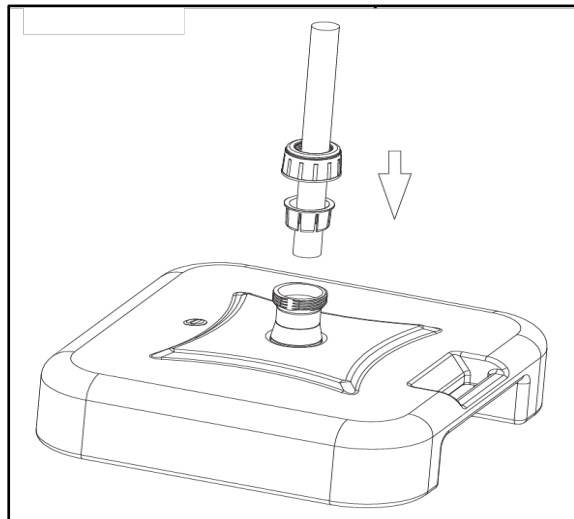
Step 6



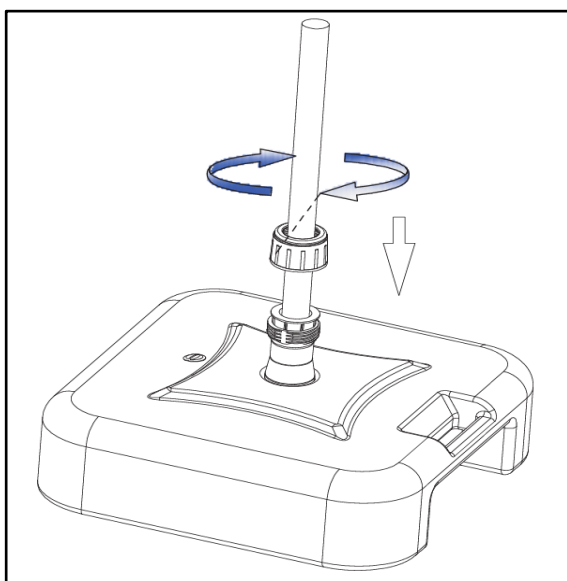
Step 7



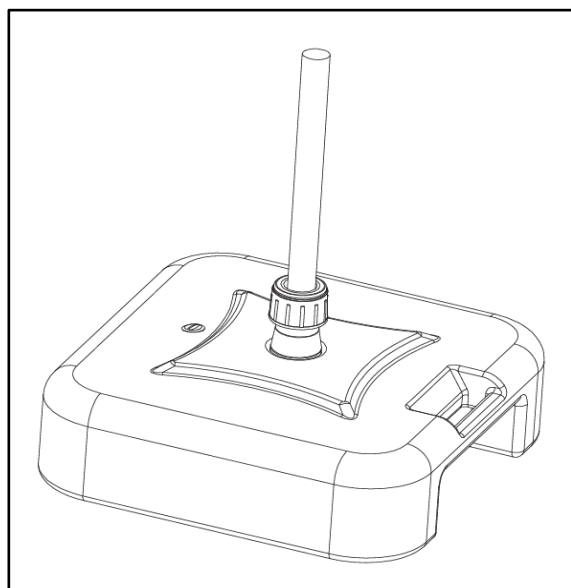
Step 8

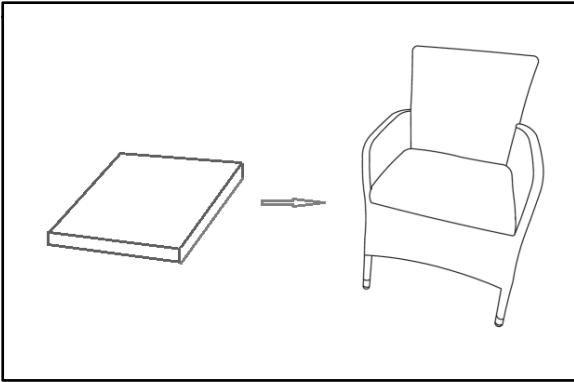


Step 9



Step 10





## CARE INSTRUCTIONS

- To clean, wipe with a sponge and warm, soapy water, then wipe with a dry, clean cloth. Do not use solvent-based cleaners or detergents as they can bleach or damage the product.
- Never use a pressure hose or washer to clean the product. Never use scourers, abrasives, or chemical cleaners.
- Please note, the cushions are **not** waterproof and **should not** be left out in the rain. Please store the cushions in a cool, dry place when not in use.
- If any liquid spills onto the rattan, clean it immediately with a damp cloth, and always refer to the care label.
- After rain or snowfall, wipe off excess water or snow, especially from flat surfaces. Allow air to ventilate to avoid moisture and mould.
- We recommend the use of furniture covers when product not in use.
- To help maintain its appearance and avoid scratches, never place sharp pointed objects directly onto the surface.
- Due to the rattan being hand-woven, the weave may contain some colour and finishing variations. This is normal.
- To avoid damage to the rattan, be sure to pick the furniture up only by the frame, and never by the woven panels, to avoid damage/distortion to the product.
- Store the furniture in a cool, dry place. Ensure that the furniture is clean and dry before putting it into storage. Do NOT put the product in a plastic or other non-permeable material as this creates moisture.
- Never drag furniture when moving it. Always lift it.
- Do not use the chair as a ladder.
- Never tilt the furniture. Ensure the furniture is always placed firmly on a solid, level surface.
- Please keep away from sources of extreme heat and naked flames.
- Warranty does not cover accidental damage/neglect or general wear and tear.

---

## CONTACT

---

CUSTOMER SERVICES - EMAIL: [CUSTOMER.SERVICE@DOBBIES.COM](mailto:CUSTOMER.SERVICE@DOBBIES.COM). TELEPHONE NUMBER: 0131 561 6406 OR CONTACT YOUR LOCAL STORE.

DOBBIES GARDEN CENTRES LTD, MELVILLE NURSERY, LASSWADE, MIDLOTHIAN, EH18 1AZ

## Parasol





### BEFORE YOU START

- Retain these instructions for future reference.
- When you are ready to start, make sure that you have plenty of space and a clean, dry area for assembly.
- Unwrap all packaging materials and place the components on top of the carton box or on a clean floor to prevent it from scratching.
- Check the pack and make sure you have all the parts listed.
- Ensure that this product is fully assembled as illustrated before use.

### WARNINGS

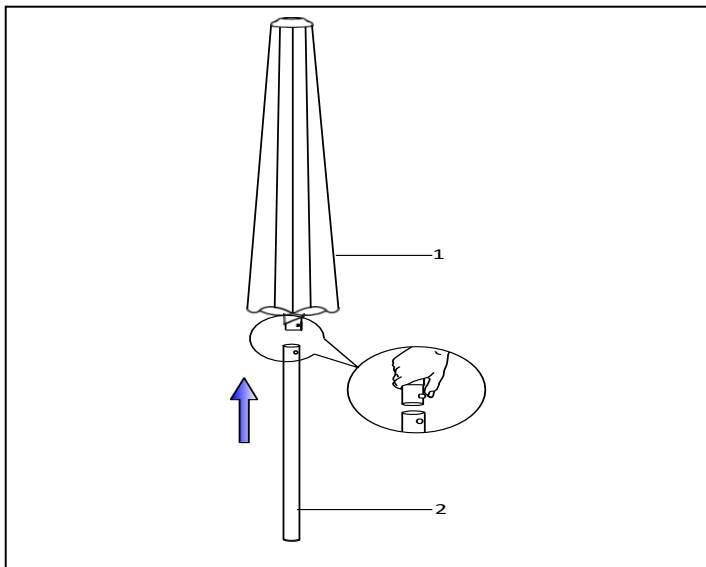
- Do not sit or stand on the product.
- It is recommended that two people assemble this product.
- Keep small parts out of reach of children.
- Do not use this product if parts are missing, damaged or worn.
- This product is for domestic use only.
- Parasol should not be used in high winds or during inclement weather.
- This parasol must always be weighted with a suitable base weighing a minimum of 19kg, even when closed.
- Make sure the parasol base remains in contact with the ground.
- Do not over tighten the crank handle as this can damage the mechanism.

## ASSEMBLY INSTRUCTIONS PARTS SUPPLIED

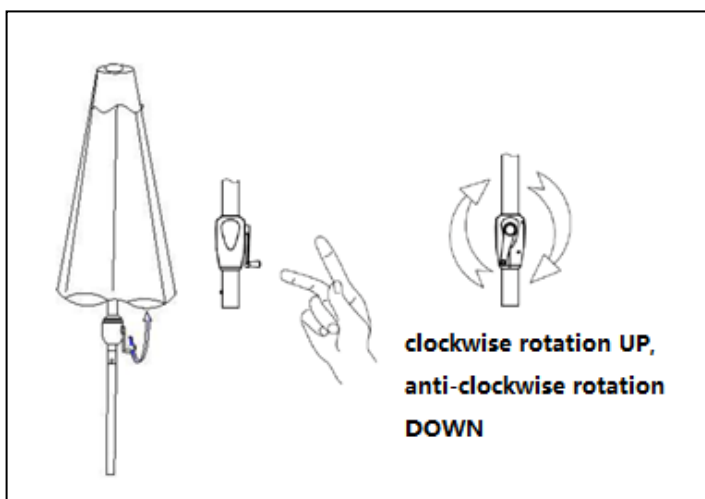
REF	DESCRIPTION	ILLUSTRATION
1	PARASOL CANOPY	
2	LOWER POLE	

## ASSEMBLY IMAGES & STEPS

### Step 1



### Step 2



## CARE INSTRUCTIONS

- To clean, wipe with a sponge and warm, soapy water, then wipe with a dry, clean cloth. Do not use solvent-based cleaners or detergents as they can bleach or damage the product.
- Never use a pressure hose or washer to clean the product. Never use scourers, abrasives or chemical cleaners.
- The pole surface is powder coated. Do not use a wire brush when removing dirt from this item as it may damage the paint leaving the surface open to corrosion.
- Only use the parasol where there is sufficient operating space.
- When adjusting the parasol, make sure that there is nothing else close to it.
- Do not over tighten the crank handle as this can damage the mechanism.
- It is not advisable to leave your parasol open during wet weather. Prolonged exposure to rain can cause damage to the fabric and structural components of the parasol.
- When closing the parasol, its pole must be adjusted to the vertical position first.
- We recommend you close and put away the parasol in windy or inclement weather.
- Close the parasol when not in use to prevent it from damage by strong winds or adverse weather conditions.
- We recommend the use of furniture covers to protect your parasol when not in use.
- Store the product in a cool, dry place. Avoid storing the parasol in areas prone to moisture or humidity, as this can lead to mould and mildew growth.
- Keep the parasol away from fireworks and other flammable materials.
- Children should not assemble or disassemble the parasol without sufficient adult supervision.
- Please keep away from sources of extreme heat and naked flames.
- This product is not wind-proof and should not be left open when not in use.
- The warranty does not cover accidental damage/neglect or general wear and tear.

---

## CONTACT

---

CUSTOMER SERVICES EMAIL: [CUSTOMER.SERVICE@DOBBIES.COM](mailto:CUSTOMER.SERVICE@DOBBIES.COM). TELEPHONE NUMBER: 0131 561 6406  
OR CONTACT YOUR LOCAL STORE.  
DOBBIES GARDEN CENTRES LTD, MELVILLE NURSERY, LASSWADE, MIDLOTHIAN, EH18 1AZ