

**PHYSICAL PROPERTIES**

HEIGHT	363 MM
WIDTH	287.1 MM
DEPTH	147.8 MM
NET WEIGHT	1.1 KG
MAIN MATERIAL	PP & ABS
COLOR	WHITE

**APPLICATION**

THE CLEAR+ FOLDED HAND TOWEL DISPENSER WHITE IS DESIGNED TO WORK WITH V AND Z FOLDED HAND TOWEL, IT'S EASY TO REFILL AND IT HAS LARGE CAPACITY TO REDUCE SERVICE FREQUENCY.

**PRODUCT FEATURES**

- + PULL AND GRAB A SHEET AT A TIME
- + LARGE CAPACITY 125 x 255 x 320 MM TO AVOID FREQUENT SERVICE
- + EASY REFILL LOADING DESIGN
- + WINDOW TO IDENTIFY THE REFILL STATUS
- + SECURITY KEY AND LOCK DESIGN

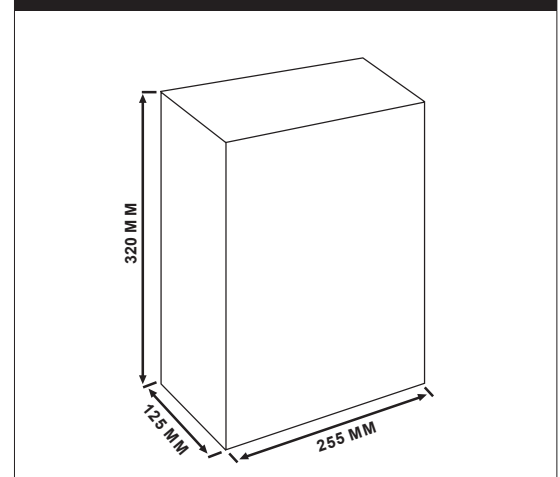
**PRODUCT DESCRIPTION**

REFILL CAPACITY	125 x 255 x 320 MM MAX.
REFILL TYPE	CLEAR+ FOLDED PAPER Z-FOLD CLEAR+ FOLDED PAPER V-FOLD
ACTIVATION	PULL AND EACH SHEET AT A TIME

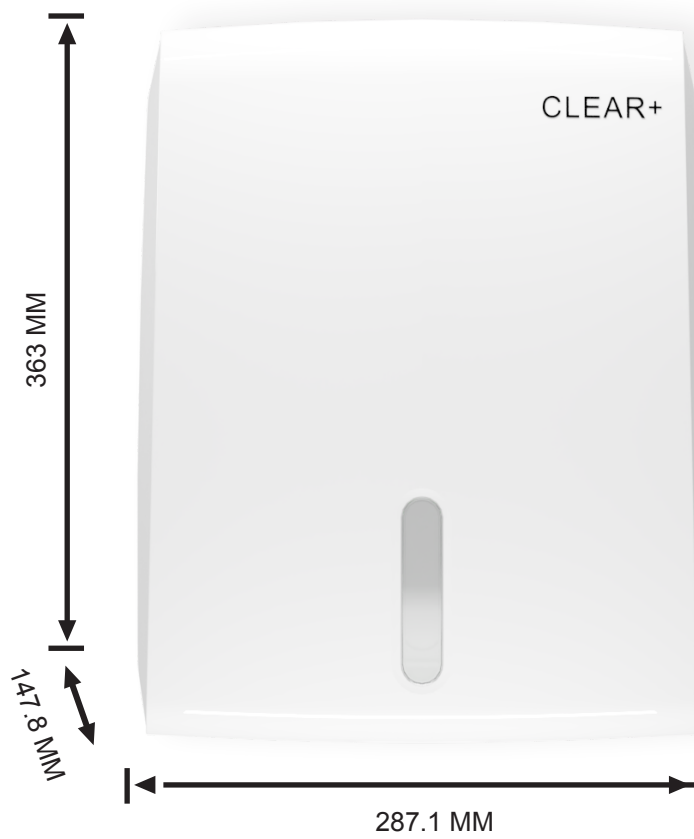
**PACKAGING**

CARTON SIZE	587 x 465 x 388 MM
QTY/CTN	6 PCS/CTN
G.W.	9.4 KG/CTN

**MAX. INNER SPACE FOR PAPER**



TECHNICAL DATA



4049657037751

ART. CODE: 1701513  
GTIN: 4049657037751

CWS HYGIENE INTERNATIONAL GMBH  
DREIEICH PLAZA 1A  
63303 DREIEICH, GERMANY  
[WWW.CWS.COM](http://WWW.CWS.COM) / [CONTACT@CWS.COM](mailto:CONTACT@CWS.COM)