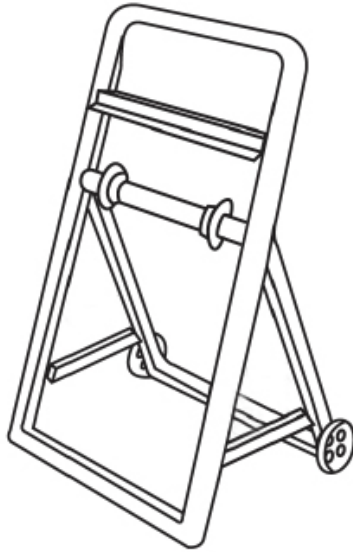


TECHNICAL DATA



PHYSICAL PROPERTIES

HEIGHT	910 MM
WIDTH	515 MM
DEPTH	470 MM
NET WEIGHT	2.1 KG
MAIN MATERIAL	ABS
COLOR	WHITE

PACKAGING

CARTON SIZE	100 x 530 x 920 MM
QTY/CTN	1 PCS/CTN
G.W.	3.3 KG/CTN

APPLICATION

STAND FOR INDUSTRIAL ROLLS. RESISTANT AND EASY TO MOVE THANKS TO THE WHEELS. IT IS COMPLETELY MADE WITH HIGH QUALITY MATERIALS TO GUARANTEE FUNCTIONALITY AND DURABILITY.

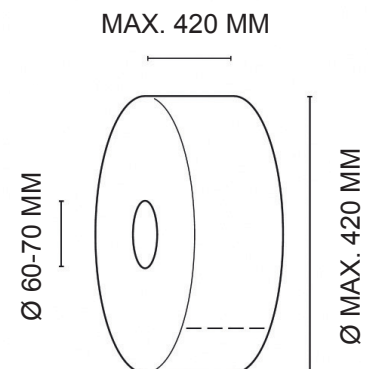
PRODUCT FEATURES

- + INDUSTRIAL ROLL HOLDER
- + MOBILE VERSION WITH ROLLERS FOR USE IN VARIOUS AREAS
- + HIGH FILLING CAPACITY, SUITABLE FOR NORMAL TO HIGH-TRAFFIC AREAS
- + FOR WIPING AND CLEANING WORK, E.G. IN INDUSTRIAL AREAS AND WORKSHOPS

PRODUCT DESCRIPTION

REFILL CAPACITY	MAX. ROLL WIDTH: 420MM MAX. ROLL DIAMETER: 420MM
REFILL TYPE	INDUSTRIAL PAPER ROLL
CORE DIMENSIONS	60-70 MM

MAX. ROLL SIZE



TECHNICAL DATA



ART. CODE: 1701674
GTIN: 4049657039052

CWS HYGIENE INTERNATIONAL GMBH
DREIEICH PLAZA 1A
63303 DREIEICH, GERMANY
WWW.CWS.COM / CONTACT@CWS.COM