

PEM1-32/63
PEM2-63 Series
 AC Miniature Circuit Breaker



PROJOY
 electric
 - Switch To Safety! -



High Craftsmanship AND High Standards



Flame retardant material



Long life



Fast arc extinguishing



All kinds



-30°C~+70°C
 Ambient temperature range



Non-polar design

PROJOY
 electric

- Switch To Safety! -

PEM1-32

Technical data

Electrical standards	EN/IEC60898-1
Pole	1P+N
Rated Current	6A, 10A, 16A, 20A, 25A, 32A
Rated Voltage	230V
Rated Frequency	50/60Hz
Rated Breaking Capacity	Icn=4.5kA,Ics=4.5kA
Tripping Characteristics	Type B,C,D
Connecting fuse	80A
Electrical Life	8000 times
Ingress Protection	Ip20
Terminal Connection Type	Cable / U-type busbar / Plug-type busbar
Ambient Temperature	-30~+70°C
Storage Temperature	-30~+70°C
Cable Terminal Dimensions top/bottom	6mm ²
Cable Terminal Dimensions top/bottom	3.0N·m
Installation Method	Din Rail (35mm), with fast clamping device

PEM1-63

Electrical standards	EN/IEC60898-1
Pole	1P, 2P, 3P, 4P
Rated Current	1A, 3A, 6A, 10A, 16A, 20A, 25A, 32A, 40A, 50A, 63A
Rated Voltage	230/400V~
Rated Frequency	50/60Hz
Rated Breaking Capacity	Icn=10kA,Ics=7.5kA
Tripping Characteristics	Type B, (3In~5In), Type C, (5In~10In), Type D, (10In~20In)
Connecting fuse	80A
Rated Impulse Withstand Voltage (1.2/50) Uimp	6kV
Electrical Life	8000 times
Mechanical Life	20000 times
Ingress Protection	IP20
Terminal Connection Type	Cable / U busbar / Plug busbar
Ambient Temperature	-30~+70°C
Storage Temperature	-30~+70°C
Cable Terminal Dimensions top/bottom	16mm ²
Tightening Torque	3.0 N·m
Installation Method	Din Rail (35mm), with fast clamping device

Technical data

PEM2-63

Electrical standards	EN/IEC60898-1
Pole	1P, 2P, 3P, 4P
Rated Current	1A, 3A, 6A, 10A, 16A, 20A, 25A, 32A, 40A, 50A, 63A
Rated Voltage	230/400V~
Rated Frequency	50/60Hz
Rated Breaking Capacity	Icn=6kA,Ics=6kA
Tripping Characteristics	Type B, (3In~5In), Type C, (5In~10In), Type D, (10In~20In)
Connecting fuse	80A
Rated Impulse Withstand Voltage (1.2/50) Uimp	6kV
Electrical Life	8000 times
Mechanical Life	20000 times
Ingress Protection	IP20
Terminal Connection Type	Cable / U busbar / Plug busbar
Ambient Temperature	-5~+40°C
Storage Temperature	-30~+70°C
Cable Terminal Dimensions top/bottom	16mm ²
Tightening Torque	3.0 N·m
Installation Method	Din Rail (35mm), with fast clamping device

Reduction coefficient

Temperature reduction coefficient

Temperature	-30°C	-25°C	-20°C	-15°C	-10°C	-5°C	0°C	5°C	10°C	15°C	20°C	30°C	35°C	40°C	45°C	50°C	55°C	60°C	65°C	70°C
The rated work current coefficient	1.242	1.223	1.204	1.182	1.161	1.143	1.127	1.103	1.079	1.063	1.047	1	0.984	0.968	0.952	0.922	0.904	0.891	0.872	0.844

Altitude reduction coefficient

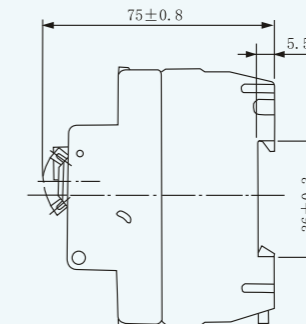
Altitude m	2000	3000	4000	5000
The rated working current coefficient	1	0.96	0.91	0.86
The rated work voltage coefficient	1	1	1	1
Rated industrial frequency resistance coefficient	1	0.9	0.82	0.71
The rated impact tolerance voltage coefficient	1	0.9	0.82	0.71
The rated ultimate short-circuit capacity and electronic life coefficient	1	0.82	0.7	0.6

MCB Side -by -side installation reduction coefficient

Number of MCBs	1	2~3	4~5	6~8	9~10
In≤25A coefficient	1	0.96	0.9	0.8	0.7
32A≤In≤63A coefficient	1	0.92	0.8	0.7	0.6
80A≤In≤125A coefficient	1	0.9	0.8	0.7	/

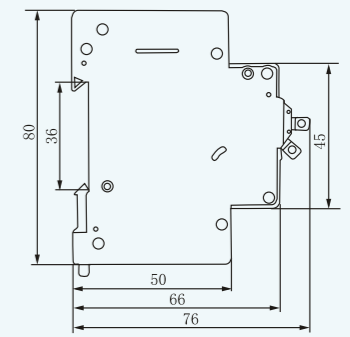
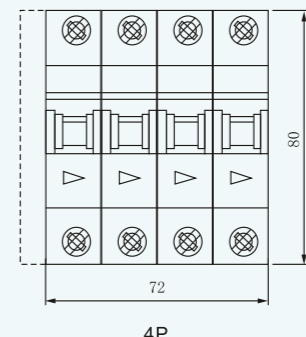
Dimensions

PEM1-32



(Unit: mm)

PEM1/PEM2-63



PROJOY
electric
– Switch To Safety! –

ProJoy Electric Co., Ltd.

2nd Floor, Building 3, No. 2266, Taiyang Road, Xiangcheng District, Suzhou, China
Tel: +86 512 6878 6489 | Fax: +86 512 6878 6489
Email: sales@projoy-electric.com | www.projoy-electric.com