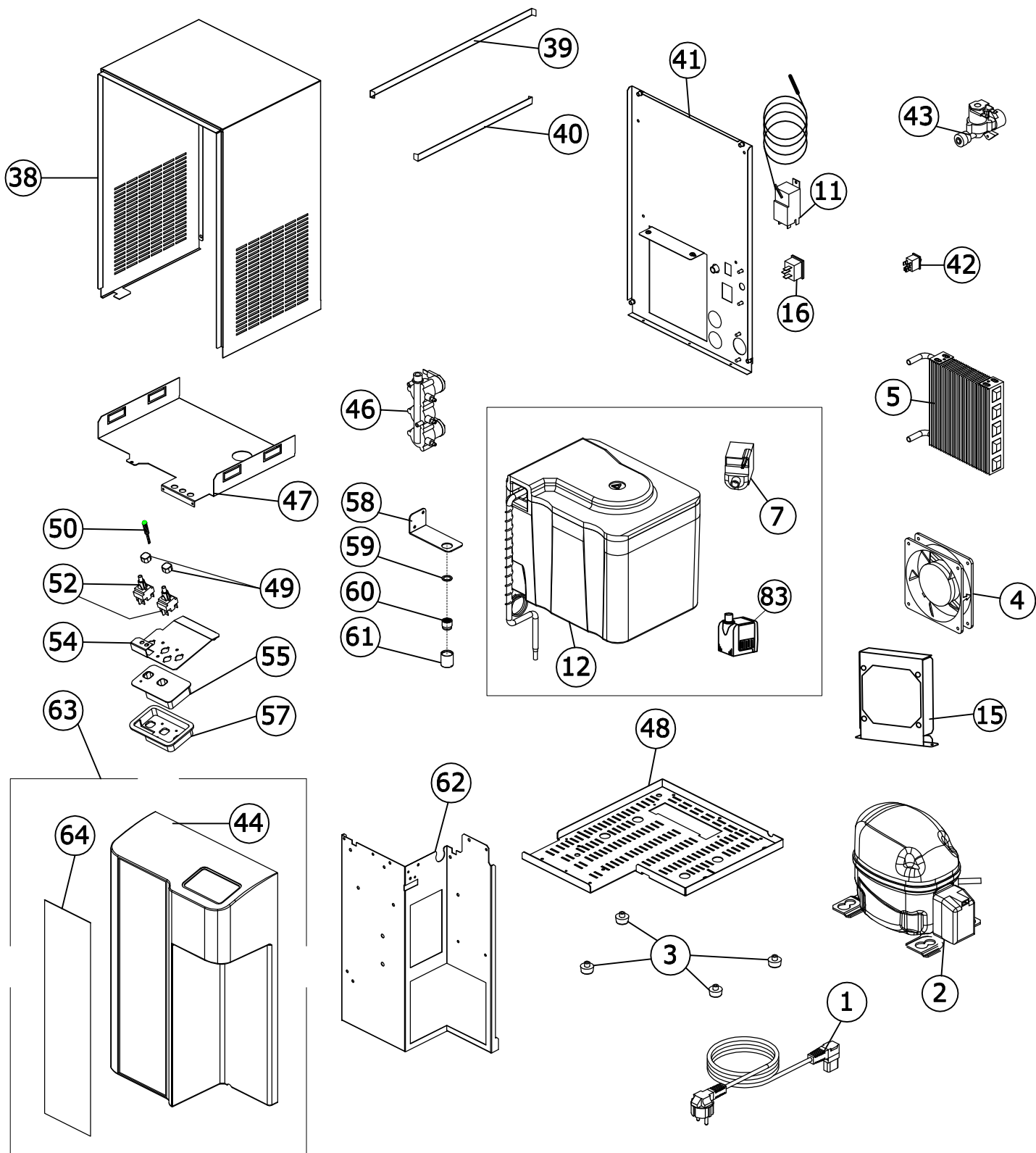


H2OMY TOP 15 IB AC - R134A & R290



| | | | |
|--------------------------|--|-----------------------------------|--|
| Code | | MACCHINA | |
| Data. 2023-10-31 | | H2OMY TOP 15 IB AC - R134A & R290 | |
| A4 | | Descrizione | |
| COSMETAL® | | GENERAL EXPLODED DRAWING | |
| Drinking water solutions | | Note. | |

30-10-23

H2OMY TOP 15 IB AC R134a & R290 EXPLODED LIST

| ITEM | P/NUMBER | DESCRIZIONE  | DESCRIPTION  |
|------|----------|---|---|
| 1 | 306071 | CAVO ALIMENTAZIONE SHUKO | ELECTRIC CABLE SHUKO |
| | 208187 | CAVO ALIMENTAZIONE UK | ELECTRIC CABLE UK |
| 2 | 302567 | COMPRESSORE 230V - 50/60Hz (R134a) | COMPRESSOR 230V - 50/60Hz (R134a) |
| | 302587 | COMPRESSORE 230V - 50/60Hz (R290) | COMPRESSOR 230V - 50/60Hz (R290) |
| 3 | 272018 | PIEDINO | FOOT |
| 4 | 208963 | VENTOLA | MOTOR FAN 230V |
| 5 | 272027 | CONDENSATORE | CONDENSER |
| 7 | 207934 | MOTOAGITATORE 230V-50Hz | MOTOAGITATOR 230V-50Hz |
| 11 | 209601 | TERMOSTATO "MINI" R134a | THERMOSTAT "MINI" R134a |
| | 306645 | TERMOSTATO 50B EXPL.PROOF | ICE B. THERMOSTAT FOR R290 |
| 15 | 214154 | SUPPORTO VENTOLA-CONVOGL. | FAN SUPPORT & CONVEYOR |
| 12 | 307783 | BANCO GH.H2OMY COMPL. "AC" R134a-230V | COMPLETE ICE BANK H2OMY "AC" R134a (230V) |
| | 215351 | BANCO GH.H2OMY COMPL. "AC" R290-230V | COMPLETE ICE BANK H2OMY "AC" R290 (230V) |
| 16 | 040963 | SPINA PER CAVO ALIMENTAZIONE | IEC CONNECTOR |
| 38 | 304141 | INVOLUCRO H2OMY TOP SOLO PER R134a | CHASSY H2OMY TOP ONLY FOR R134a |
| | 215928 | INVOLUCRO H2OMY TOP NUOVO | NEW CHASSY H2OMY TOP |
| 39 | 303153 | RINFORZO SX H2OMY TOP | LEFT BEAM H2OMY TOP |
| 40 | 303154 | RINFORZO DX H2OMY TOP | RIGHT BEAM H2OMY TOP |
| 41 | 303148 | PANN.POST. H2OMY TOP | REAR PANEL FOR H2OMY TOP |
| 42 | 306350 | INTERRUTTORE | GENERAL SWITCH (SMALL) |
| 43 | 226098 | ELETTROV. DI INGRESSO EKI ALTERNATIVA 230V-JG6 | ALTERNATIVE EKI SAFETY VALVE 230V-JG6 |
| | 210095 | ELETTROV. DI INGRESSO 230V-JG6 | SAFETY VALVE 230V-JG6 |
| 44 | 305531 | FRONTALE H2OMY BIANCO | FRONT PANEL H2OMY WHITE |
| | 305533 | FRONTALE H2OMY NERO | FRONT PANEL H2OMY BLACK |
| 46 | 208093 | ELETTROV. 2IN-1OUT 230V | SOLEN.VALVE 2IN-1OUT 230V |
| 47 | 303151 | SUPPORTO ICE BANK H2OMY TOP | ICE BANK SUPPORT H2OMY TOP |
| 48 | 303147 | BASE H2OMY TOP SOLO PER R134a | BASAMENT FOR H2OMY TOP FOR R134a ONLY |
| | 220832 | BASE H2OMY TOP NUOVA | NEW BASAMENT FOR H2OMY TOP |
| 49 | 305540 | TASTO NERO | BLACK BUTTON |
| 50 | 306632 | LED VERDE | GREEN LED |
| 52 | 208167 | PULSANTE BIPOLARE CORSA BREVE | DOUBLE PUSH BUTTON SHORT MOV. |
| 54 | 303307 | SUPPORTO PULSANTI x H2OMY TOP | PUSH BUTTONS SUPPORT |
| 55 | 308081 | PANNELLO 2 TASTI AC | PANEL TWO HOLES FOR AC |
| 57 | 305537 | SCATOLA TASTI | BOX FOR BUTTONS |
| 58 | 303155 | STAFFA RACCORDO EROGAZIONE | BRACKET FOR DISPENSING NOZZLE |
| 59 | 304943 | GUARNIZIONE | GASKET FOR AERATOR |
| 60 | 304252 | AREATORE | AERATOR |
| 61 | 304251 | BECCUCCIO INOX | ST.STEEL NOZZLE |
| 62 | 220833 | PANNELLO FR. NUOVO H2OMY TOP | NEW FRONT PANEL H2OMY TOP |
| | 303149 | PANNELLO FR. DI SUPP. H2OMY TOP R134a | FRONT SUPPORT PANEL H2OMY TOP R134a |
| 63 | 301991 | FRONTALE BIANCO COMPLETO | COMPLETE WHITE FRONT |
| | 301992 | FRONTALE NERO COMPLETO | COMPLETE BLACK FRONT |
| 64 | 308077 | FRONTALE INOX | FRONT ST.STEEL PANEL |
| 65 | 305357 | GALLEGGIANTE | FLOAT SIGNAL |
| 66 | 305535 | VASCHETTA + COPERCHIO BIANCO | WHITE DRIP TRAY + COVER |
| | 305536 | VASCHETTA + COPERCHIO NERO | BLACK DRIP TRAY + COVER |
| 68 | 308083 | GRILJETTA ARGENTO | SYLVER GRILL |
| | 305539 | GRIGLIETTA NERA | BLACK GRILL |
| 83 | 227078 | MOTOAGITATORE MC450 230V-50/60 Hz | AGITATOR MC450 230V-50/60 Hz |