



## TE-25L

**Catalogo parti di ricambio**  
Spare parts catalogue  
Catalogo piezas de recambio  
Catalogue des pieces detachees  
Ersatzteilkatalog

**Cod. 073039**  
**21/10/2021**

**Rev. 04**

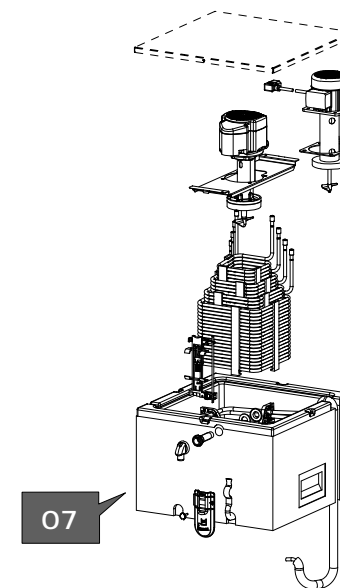
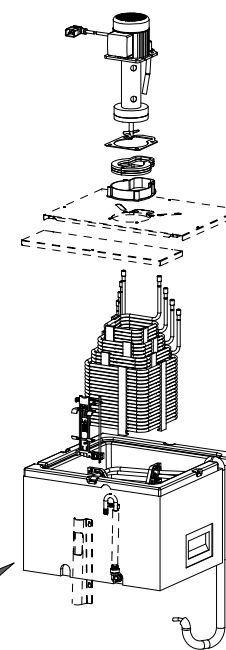
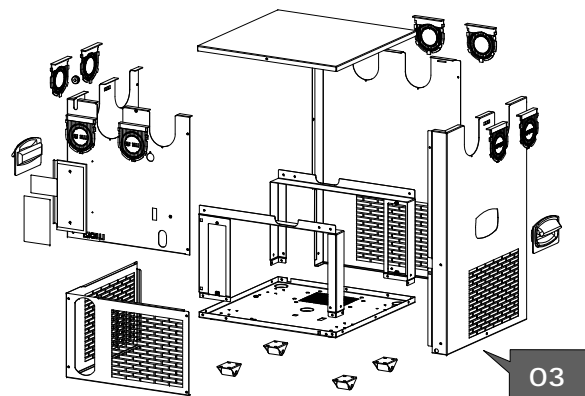
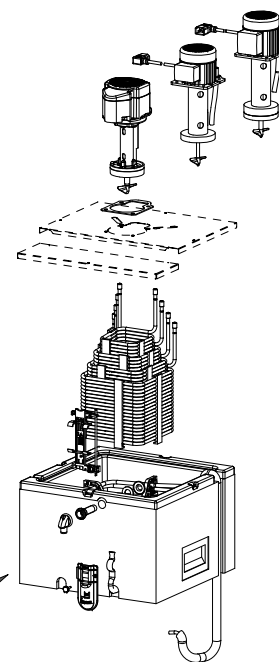
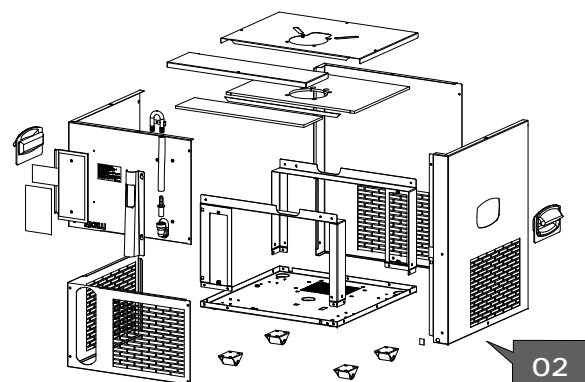
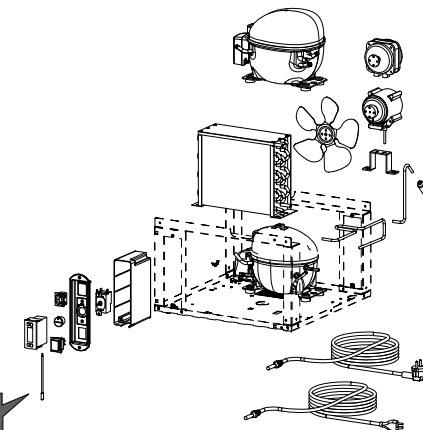
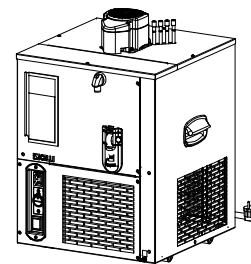
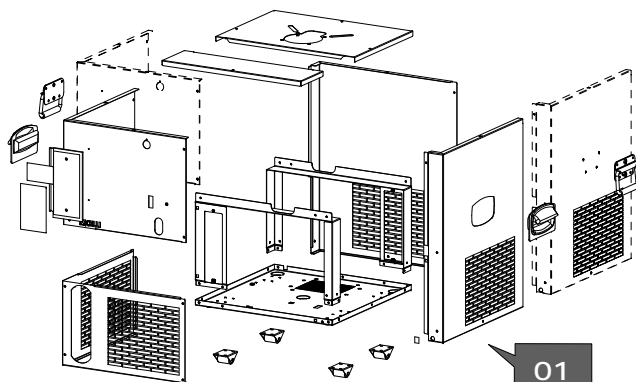
INDICE

INDEX

INDEX

INDICE

VERZEICHNIS



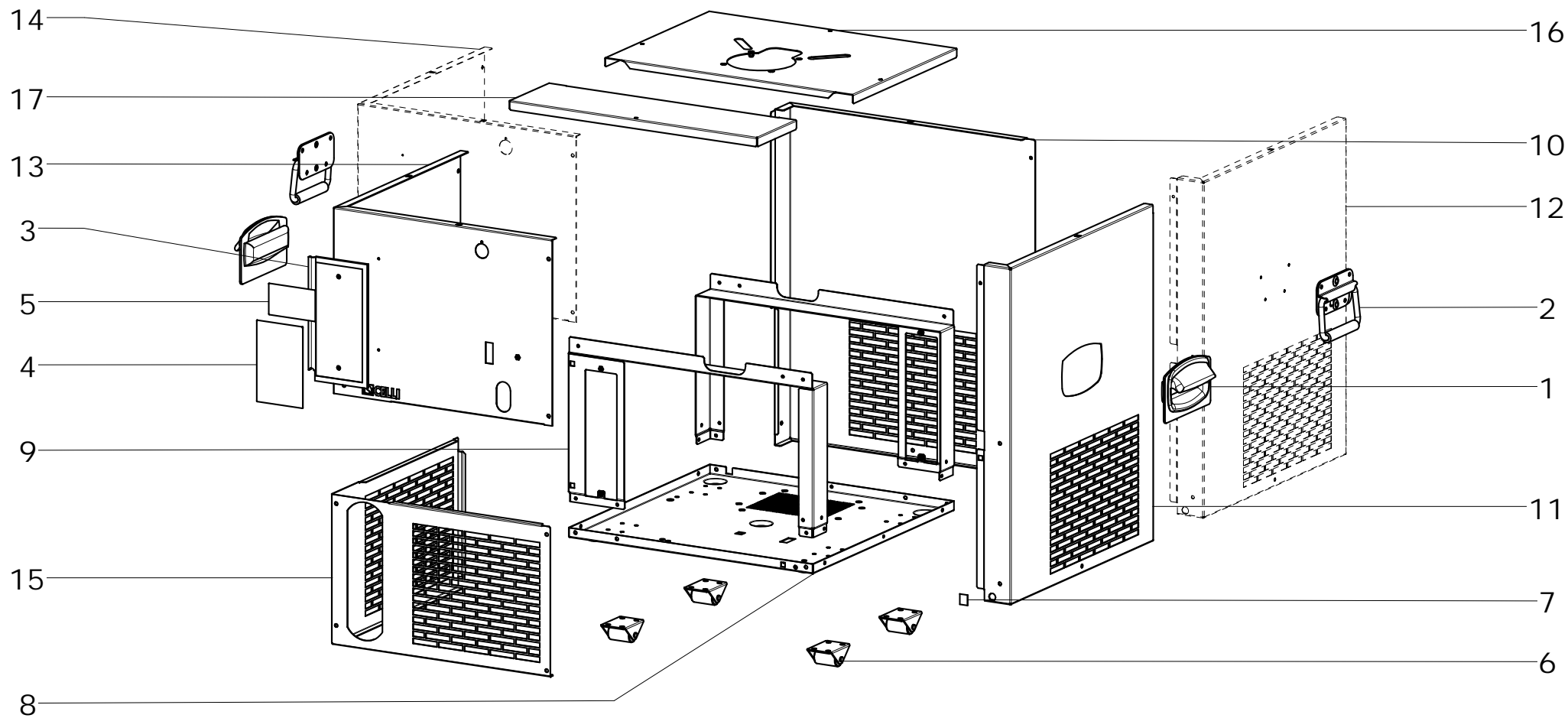
CARROZZERIA 1

HOUSING 1

BOÎTIER 1

CARROCERÍA 1

GEHÄUSE 1



POS.	QTY	CODE	DESCRIZIONE	DESCRIPTION	DESIGNATION	DESCRIPCION	BESCHREIBUNG
1	2	031259	MANIGLIA	HANDLE	MANCHE	MANILLA	GRIFF
2	2	040960	MANIGLIA	HANDLE	MANCHE	MANILLA	GRIFF
3	1	031674	PORTAETICHETTA	STICKERS PANEL	TABLEAU POUR ADHÉSIVES	TABLERO PARA ADESIVAS	AUFKLEBER PANEEL
4	1	036718	ADESIVO	STICKER	AUTOADHÉSIF	ETIQUETA ADHESIVA	AUFKLEBER
5	1	041870	MATRICOLA	SERIAL NUMBER	NUMÉRO DE SÉRIE	NÚMERO DE SERIE	SERIENNUMMER
6	4	046258	RUOTA	WHEEL	ROUE	RUEDA	RAD
7	1	051810	ADESIVO	STICKER	AUTOADHÉSIF	ETIQUETA ADHESIVA	AUFKLEBER
8	1	069325	BASAMENTO	BASEMENT	SOUS-SOL	SÓTANO	KELLER
9	2	069326	MONTANTE	LEG	JAMBE	PIERNA	STEBALKEN
10	1	069327	PANNELLO BLU	BLUE PANEL	PANNEAU BLEU	PANEL AZUL	BLAUE PANEL
10	1	088170	PANNELLO INOX	INOX PANEL	PANNEAU INOX	PANEL INOX	INOX PANEL
11	1	069328	PANNELLO BLU	BLUE PANEL	PANNEAU BLEU	PANEL AZUL	BLAUE PANEL
11	1	111822	PANNELLO INOX	INOX PANEL	PANNEAU INOX	PANEL INOX	INOX PANEL
12	1	072916	PANNELLO	PANEL	PANNEAU	PANEL	PANEL
13	1	069329	PANNELLO BLU	BLUE PANEL	PANNEAU BLEU	PANEL AZUL	BLAUE PANEL
13	1	111823	PANNELLO INOX	INOX PANEL	PANNEAU INOX	PANEL INOX	INOX PANEL
14	1	072917	PANNELLO	PANEL	PANNEAU	PANEL	PANEL
15	1	069330	PANNELLO BLU	BLUE PANEL	PANNEAU BLEU	PANEL AZUL	BLAUE PANEL
15	1	087766	PANNELLO INOX	INOX PANEL	PANNEAU INOX	PANEL INOX	INOX PANEL
16	1	069378	COPERCHIO BLU	BLUE COVER	COUVERCLE BLEU	COBERTURA AZUL	BLAUE DECKEL
16	1	088173	COPERCHIO INOX	INOX COVER	COUVERCLE INOX	COBERTURA INOX	INOX DECKEL
17	2	069379	COPERCHIO BLU	BLUE COVER	COUVERCLE BLEU	COBERTURA AZUL	BLAUE DECKEL
17	2	088174	COPERCHIO INOX	INOX COVER	COUVERCLE INOX	COBERTURA INOX	INOX DECKEL

CARROZZERIA 1

HOUSING 1

BOÎTIER 1

CARROCERÍA 1

GEHÄUSE 1

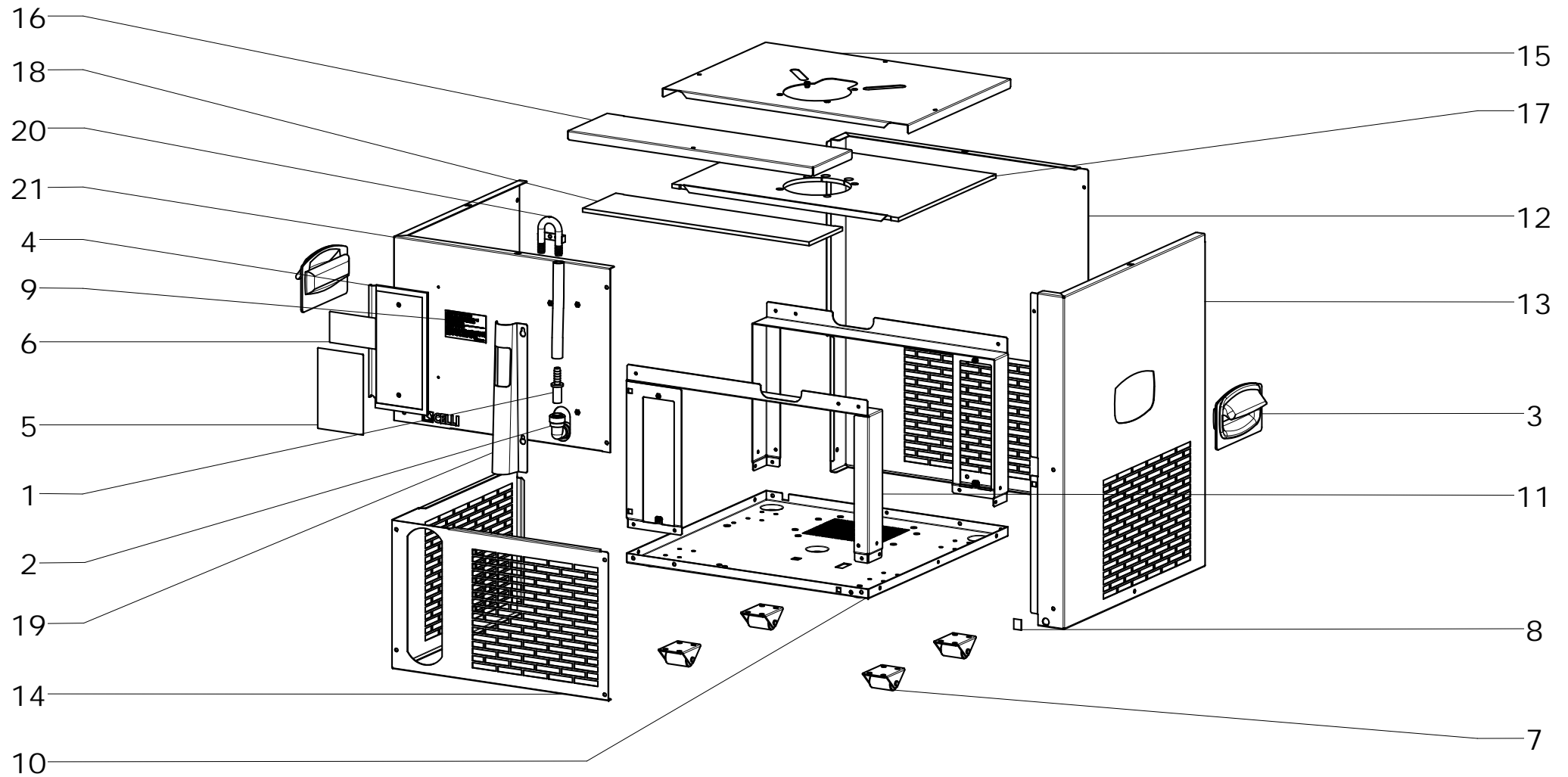
CARROZZERIA 2

HOUSING 2

BOÎTIER 2

CARROCERÍA 2

GEHÄUSE 2



POS.	QTY	CODE	DESCRIZIONE	DESCRIPTION	DESIGNATION	DESCRIPCION	BESCHREIBUNG
1	1	007042	NIPPLO	NIPPLE	NIPPLE	NIPLE	NIPPEL
2	1	011281	RACCORDO RAPIDO	QUICK CONNECTOR	RACCORD RAPID	CONNEXIONE RAPIDA	SCHNELLVERBINDER
3	2	031259	MANIGLIA	HANDLE	MANCHE	MANILLA	GRIFF
4	1	031674	PORTAETICHETTA	STICKERS PANEL	TABLEAU POUR ADHÉSIVES	TABLERO PARA ADESIVAS	AUFKLEBER PANEEL
5	1	036718	ADESIVO	STICKER	AUTOADHÉSIF	ETIQUETA ADHESIVA	AUFKLEBER
6	1	041870	MATRICOLA	SERIAL NUMBER	NUMÉRO DE SÉRIE	NÚMERO DE SERIE	SERIENNUMMER
7	4	046258	RUOTA	WHEEL	ROUE	RUEDA	RAD
8	1	051810	ADESIVO	STICKER	AUTOADHÉSIF	ETIQUETA ADHESIVA	AUFKLEBER
9	1	058795	ADESIVO	STICKER	AUTOADHÉSIF	ETIQUETA ADHESIVA	AUFKLEBER
10	1	069325	BASAMENTO	BASEMENT	SOUS-SOL	SÓTANO	KELLER
11	2	069326	MONTANTE	LEG	JAMBE	PIERNA	STEBALKEN
12	1	069327	PANNELLO BLU	BLUE PANEL	PANNEAU BLEU	PANEL AZUL	BLAUE PANEL
12	1	088170	PANNELLO INOX	INOX PANEL	PANNEAU INOX	PANEL INOX	INOX PANEL
13	1	069328	PANNELLO BLU	BLUE PANEL	PANNEAU BLEU	PANEL AZUL	BLAUE PANEL
13	1	111822	PANNELLO INOX	INOX PANEL	PANNEAU INOX	PANEL INOX	INOX PANEL
14	1	069330	PANNELLO BLU	BLUE PANEL	PANNEAU BLEU	PANEL AZUL	BLAUE PANEL
14	1	087766	PANNELLO INOX	INOX PANEL	PANNEAU INOX	PANEL INOX	INOX PANEL
15	1	069378	COPERCHIO BLU	BLUE COVER	COUVERCLE BLEU	COBERTURA AZUL	BLAUE DECKEL
15	1	088173	COPERCHIO INOX	INOX COVER	COUVERCLE INOX	COBERTURA INOX	INOX DECKEL
16	1	069379	COPERCHIO BLU	BLUE COVER	COUVERCLE BLEU	COBERTURA AZUL	BLAUE DECKEL
16	1	088174	COPERCHIO INOX	INOX COVER	COUVERCLE INOX	COBERTURA INOX	INOX DECKEL
17	1	069384	COIBENTAZIONE	CAULKING	ISOLATION	ENMASILLACION	ABDICHTUNG
18	1	069398	COIBENTAZIONE	CAULKING	ISOLATION	ENMASILLACION	ABDICHTUNG
19	1	069400	CARTER	CARTER	CARTER	CARTER	CARTER
20	1	069401	RACCORDO	CONNECTOR	CONNECTEUR	CONECTOR	VERBINDER
21	1	069431	PANNELLO	PANEL	PANNEAU	PANEL	PANEL

CARROZZERIA 2

HOUSING 2

BOÎTIER 2

CARROCERÍA 2

GEHÄUSE 2

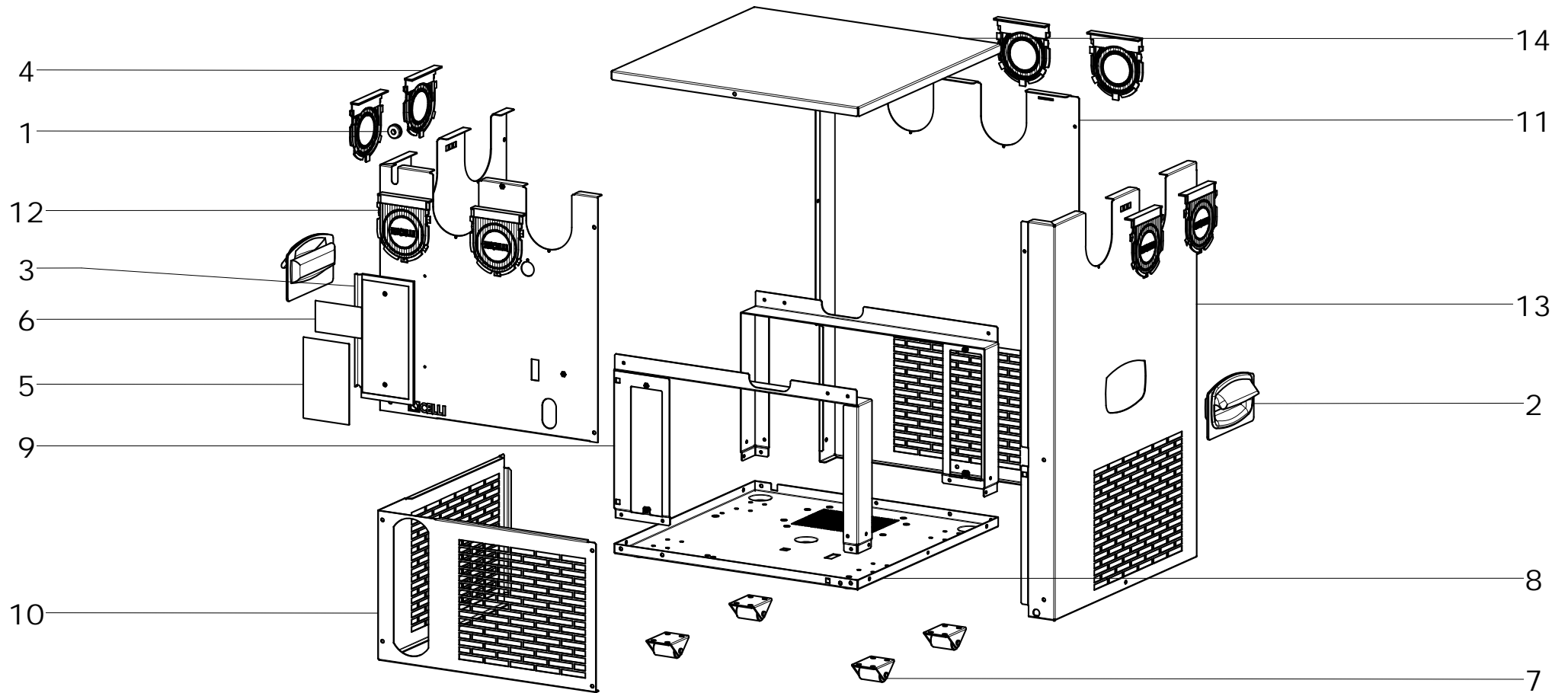
CARROZZERIA 3

HOUSING 3

BOÎTIER 3

CARROCERÍA 3

GEHÄUSE 3



POS.	QTY	CODE	DESCRIZIONE	DESCRIPTION	DESIGNATION	DESCRIPCION	BESCHREIBUNG
1	1	014887	PASSACAVO	FAIRLEAD	GUIDE-CÂBLE	CANALIZACIÓN	FÜHRUNGSROLLE
2	2	031259	MANIGLIA	HANDLE	MANCHE	MANILLA	GRIFF
3	1	031674	PORTAETICHETTA	STICKERS PANEL	TABLEAU POUR ADHÉSIVES	TABLERO PARA ADESIVAS	AUFKLEBER PANEEL
4	8	031711	PIASTRINA	PLATE	PLAQUER	PLATO	PLATTE
5	1	036718	ADESIVO	STICKER	AUTOADHÉSIF	ETIQUETA ADHESIVA	AUFKLEBER
6	1	041870	MATRICOLA	SERIAL NUMBER	NUMÉRO DE SÉRIE	NÚMERO DE SERIE	SERIENNUMMER
7	4	046258	RUOTA	WHEEL	ROUE	RUEDA	RAD
8	1	069325	BASAMENTO	BASEMENT	SOUS-SOL	SÓTANO	KELLER
9	2	069326	MONTANTE	LEG	JAMBE	PIERNA	STEBALKEN
10	1	069330	PANNELLO BLU	BLUE PANEL	PANNEAU BLEU	PANEL AZUL	BLAUE PANEL
10	1	087766	PANNELLO INOX	INOX PANEL	PANNEAU INOX	PANEL INOX	INOX PANEL
11	1	069432	PANNELLO	PANEL	PANNEAU	PANEL	PANEL
12	1	069433	PANNELLO	PANEL	PANNEAU	PANEL	PANEL
13	1	069434	PANNELLO	PANEL	PANNEAU	PANEL	PANEL
14	1	069479	COPERCHIO	COVER	COUVERCLE	COBERTURA	DECKEL

CARROZZERIA 3

HOUSING 3

BOÎTIER 3

CARROCERÍA 3

GEHÄUSE 3



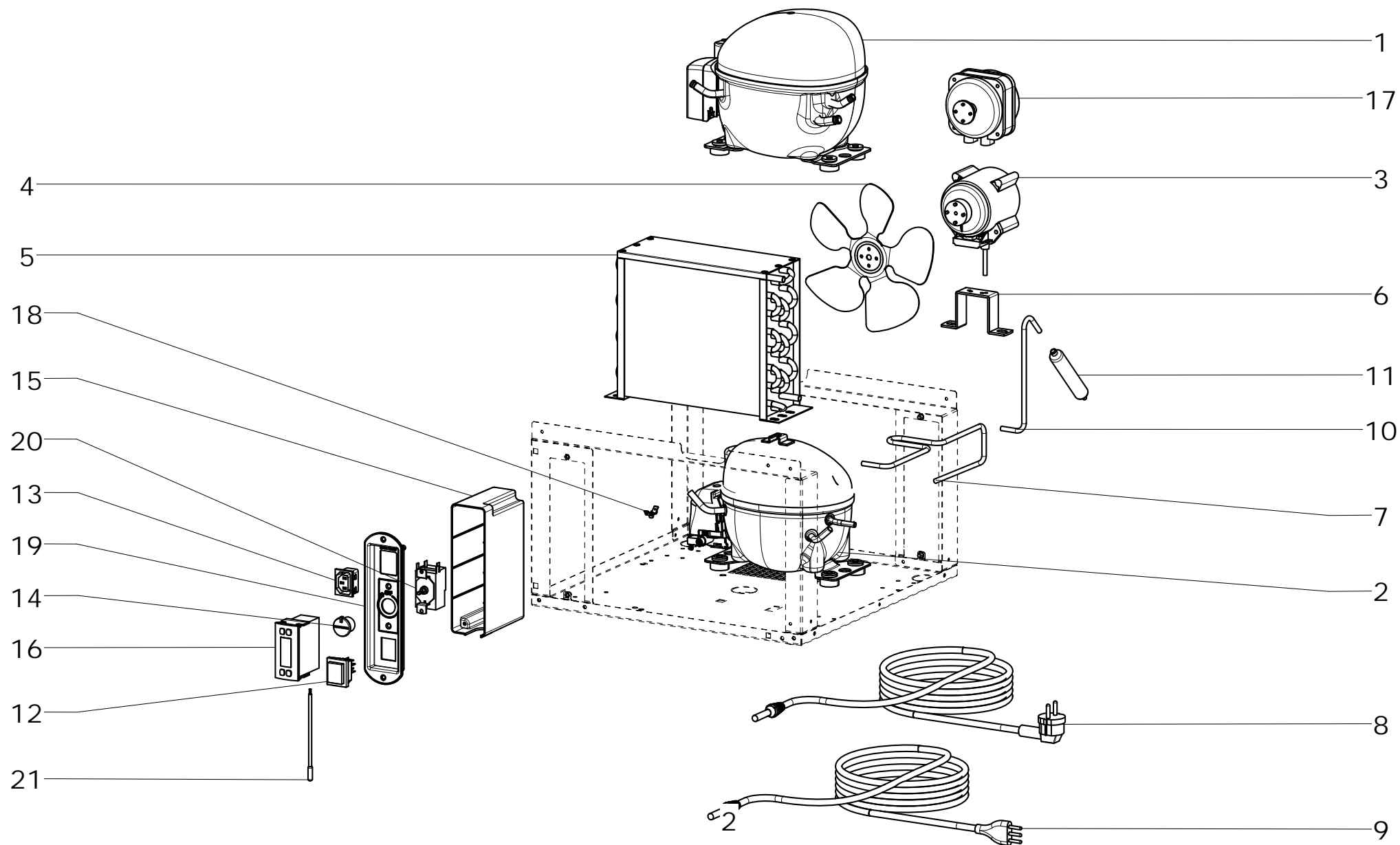
GRUPPO FRIGO

COOLING UNIT

GROUPE REFRIGERANT

GRUPO REFRIGERANTE

KÜHLEINHEIT



POS.	QTY	CODE	DESCRIZIONE	DESCRIPTION	DESIGNATION	DESCRIPCION	BESCHREIBUNG
1	1	060258	COMPRES. DANFOSS R134a	COMPRES. DANFOSS R134a	COMPRES. DANFOSS R134a	COMPRES. DANFOSS R134a	KOMPRESSOR DANFOSS R134a
2	1	067746	COMPRES. ASPERA R134a	COMPRES. ASPERA R134a	COMPRES. ASPERA R134a	COMPRES. ASPERA R134a	KOMPRESSOR ASPERA R134a
2	1	067746	COMPRES. ASPERA R290	COMPRES. ASPERA R290	COMPRES. ASPERA R290	COMPRES. ASPERA R290	KOMPRESSOR ASPERA R290
3	1	066722	MOTOVENTILATORE	FAN MOTOR	MOTOVENTILATEUR	MOTOVENTILADOR	VENTILATORMOTOR
4	1	002105	VENTOLA	FAN	HELICE	VENTILADOR	PROPELLER
5	1	054826	CONDENSATORE	CONDENSER	CONDENSATEUR	CONDENSADOR	KONDENSATOR
6	1	023275	STAFFA	BRACKET	ETRIER	ESTRIBO	BUEGEL
7	1	070249	TUBO DI RAME	COPPER TUBE	TUYAU EN CUIVRE	TUBO EN COBRE	KUPFEROHR
8	1	031804	CAVO ALIMENTAZIONE	POWER SUPPLY CABLE	CÂBLE D'ALIMENTATION	CABLE DE ALIMENTACIÓN	STROMVERSORGUNGSKABEL
9	1	072027	CAVO ALIMENTAZIONE	POWER SUPPLY CABLE	CÂBLE D'ALIMENTATION	CABLE DE ALIMENTACIÓN	STROMVERSORGUNGSKABEL
10	1	032686	TUBO DI RAME	COPPER TUBE	TUYAU EN CUIVRE	TUBO EN COBRE	KUPFEROHR
11	1	014943	FILTRO DEIDRATORE	DEHYDRATING FILTER	FILTRE DESHYDRATEUR	FILTRO DESYDRATOR	DEHYDRATIONSFILTER
12	1	002170	INTERRUTTORE	SWITCH	INTERRUPTEUR	INTERRUPTOR	SCHALTER
13	1	040964	PRESA FELLER	FELLER SOCKET	PRISE FELLER	TOMA FELLER	STECKDOSE FELLER
14	1	013375	MANOPOLA	KNOB	POIGNÉE	POMO	GRIFF
15	1	071005	GUSCIO	SHELL	SHELL	SHELL	SHELL
16	1	047261	TERMOSTATO DIGITALE	DIGITAL THERMOSTAT	THERMOSTAT DIGITAL	TERMOSTATO DIGITAL	DIGITALTHERMOSTAT
17	1	023282	MOTOVENTILATORE	FAN MOTOR	MOTOVENTILATEUR	MOTOVENTILADOR	VENTILATORMOTOR
18	1	061799	RIVETTO DI TERRA	RIVET GROUND	RIVET SOL	REMACHES DE TIERRA	RIVET GROUND
19	1	071002	PANNELLO	PANEL	PANNEAU	PANEL	PANEL
20	1	050286	TERMOSTATO R134a	THERMOSTAT R134a	THERMOSTAT R134a	TERMOSTATO R134a	THERMOSTAT R134a
20	1	080725	TERMOSTATO R290	THERMOSTAT R290	THERMOSTAT R290	TERMOSTATO R290	THERMOSTAT R290
21	1	013789	SONDA TERMOSTATO	THERMOSTAT PROBE	SONDE DU THERMOSTAT	SONDA TERMOSTATO	THERMOSTATSONDE

GRUPPO FRIGO

COOLING UNIT

GROUPE REFRIGERANT

GRUPO REFRIGERANTE

KÜHLEINHEIT

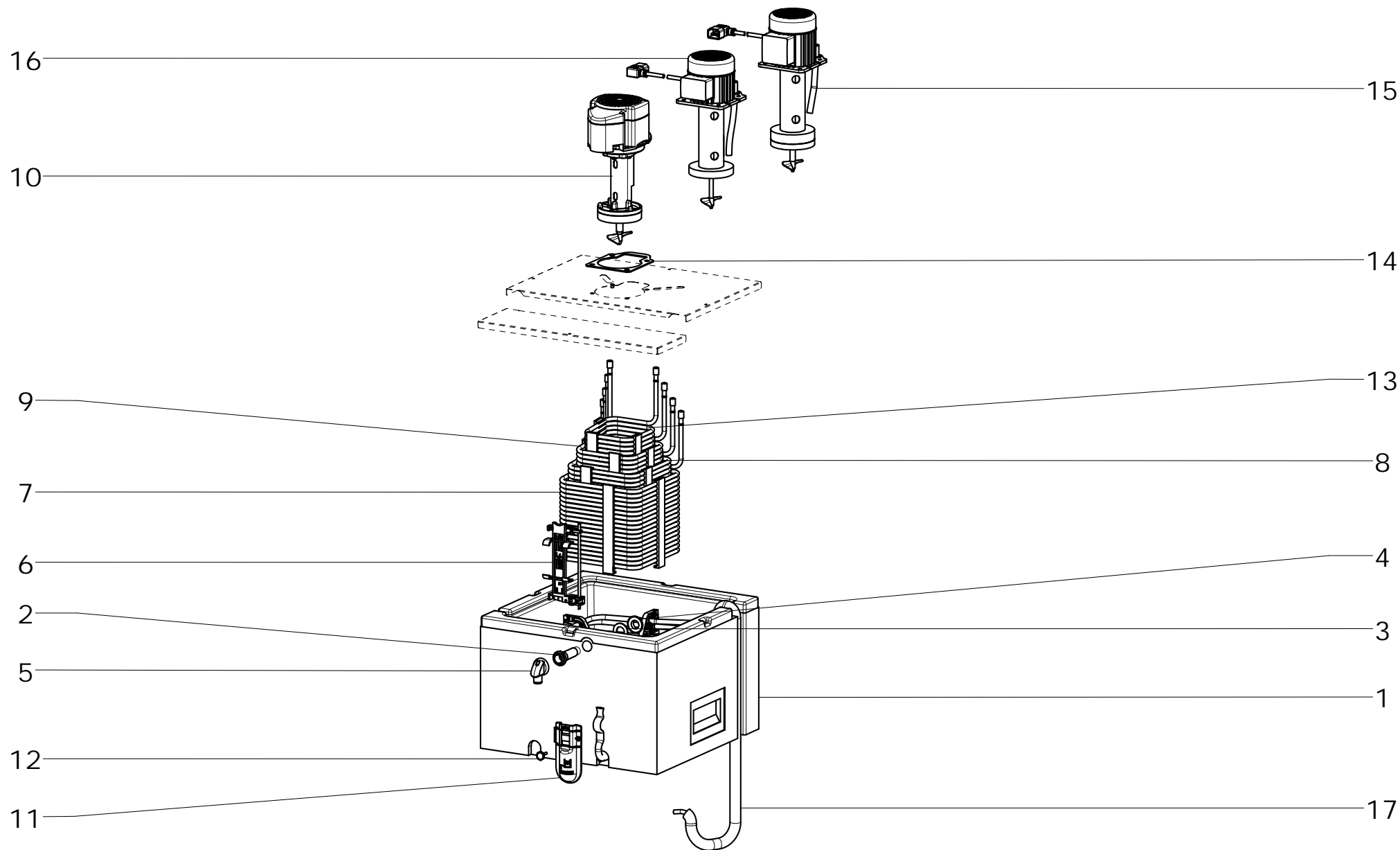
GRUPPO VASCA 1

TANK ASSEMBLY 1

GROUPE CUVE 1

GRUPO TANQUE 1

BECKENGRUPPE 1



POS.	QTY	CODE	DESCRIZIONE	DESCRIPTION	DESIGNATION	DESCRIPCION	BESCHREIBUNG
1	1	069376	VASCA SCHIUMATA	INSULATED WATER-TANK	CUVE ISOLÉE	TANQUE AISLADA	ISOLIERTANK
2	1	066688	CANNOTTO	SHAFT	QUEUE	MANGUITO	STUTZEN
3	1	030654	GUARNIZIONE	SEAL	JOINT	GUARNICIÓN	DICHTUNG
4	1	030651	DADO	NUT	ECROU	DADO	MUTTER
5	1	066689	RACCORDO SCARICO	DRAIN	ÉGOUT	DESAGUE	ABLASS
6	1	055284	STAFFA PORTA SONDE	PROBE FIXING	ÉTRIER POUR SONDE	ESTRIBO SONDA	BEFESTIGUNG SONDE
7	1	044842	SERPENTINA	COIL	SERPENTINES	SERPENTINAS	KUEHLSCHLANGEN
8	1	044843	SERPENTINA	COIL	SERPENTINES	SERPENTINAS	KUEHLSCHLANGEN
9	1	044844	SERPENTINA	COIL	SERPENTINES	SERPENTINAS	KUEHLSCHLANGEN
10	1	042000	AGITATORE	AGITATOR	AGITATEUR	AGITADORES	RUEHRWERK
11	1	069839	CLIP	CLIP	CLIP	CLIP	KLIPS
12	1	071584	VITE	SCREW	VIS	TORNILLO	SCHRAUBE
13	1	051811	SERPENTINA	COIL	SERPENTINES	SERPENTINAS	KUEHLSCHLANGEN
14	1	070168	GUARNIZIONE	SEAL	JOINT	GUARNICIÓN	DICHTUNG
15	1	046294	AGITATORE	AGITATOR	AGITATEUR	AGITADORES	RUEHRWERK
16	1	048926	AGITATORE	AGITATOR	AGITATEUR	AGITADORES	RUEHRWERK
17	1	069380	EVAPORAT. DANFOSS R134a	EVAPORAT. DANFOSS R134a	EVAPORAT. DANFOSS R134a	EVAPORAD. DANFOSS R134a	EVAPORAT. DANFOSS R134a
17	1	073033	EVAPORAT. ASPERA R134a	EVAPORAT. ASPERA R134a	EVAPORAT. ASPERA R134a	EVAPORAD. ASPERA R134a	EVAPORAT. ASPERA R134a
17	1	087236	EVAPORAT. ASPERA R290	EVAPORAT. ASPERA R290	EVAPORAT. ASPERA R290	EVAPORAD. ASPERA R290	EVAPORAT. ASPERA R290

GRUPPO VASCA 1

TANK ASSEMBLY 1

GROUPE CUVE 1

GRUPO TANQUE 1

BECKENGRUPPE 1

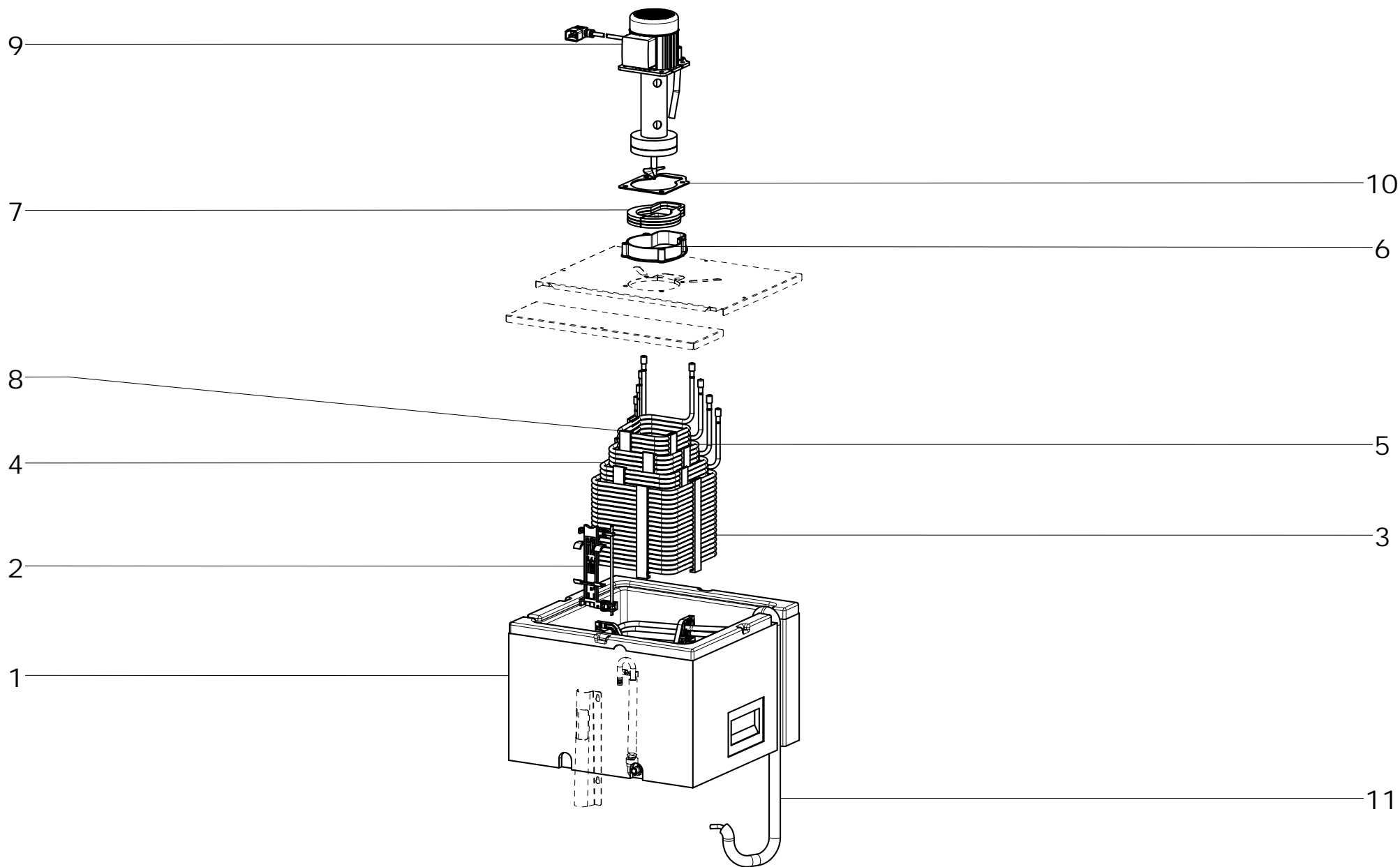
GRUPPO VASCA 2

TANK ASSEMBLY 2

GROUPE CUVE 2

GRUPO TANQUE 2

BECKENGRUPPE 2



POS.	QTY	CODE	DESCRIZIONE	DESCRIPTION	DESIGNATION	DESCRIPCION	BESCHREIBUNG
1	1	069376	VASCA SCHIUMATA	INSULATED WATER-TANK	CUVE ISOLÉE	TANQUE AISLADA	ISOLIERTANK
2	1	055284	STAFFA PORTA SONDE	PROBE FIXING	ÉTRIER POUR SONDE	ESTRIBO SONDA	BEFESTIGUNG SONDE
3	1	044842	SERPENTINA	COIL	SERPENTINES	SERPENTINAS	KUEHLSCHLANGEN
4	1	044843	SERPENTINA	COIL	SERPENTINES	SERPENTINAS	KUEHLSCHLANGEN
5	1	044844	SERPENTINA	COIL	SERPENTINES	SERPENTINAS	KUEHLSCHLANGEN
6	1	051009	DISTANZIALE	SPACER	ENTRETOIS	DISTANCIADOR	DISTANZRING
7	1	070482	COIBENTAZIONE	CAULKING	ISOLATION	ENMASILLACION	ABDICHTUNG
8	1	051811	SERPENTINA	COIL	SERPENTINES	SERPENTINAS	KUEHLSCHLANGEN
9	1	046294	AGITATORE	AGITATOR	AGITATEUR	AGITADORES	RUEHRWERK
10	1	070168	GUARNIZIONE	SEAL	JOINT	GUARNICIÓN	DICHTUNG
11	1	069380	EVAPORATORE	EVAPORATOR	EVAPORATEUR	EVAPORADOR	EVAPORATOR
11	1	073033	EVAPORATORE	EVAPORATOR	EVAPORATEUR	EVAPORADOR	EVAPORATOR

GRUPPO VASCA 2

TANK ASSEMBLY 2

GROUPE CUVE 2

GRUPO TANQUE 2

BECKENGRUPPE 2

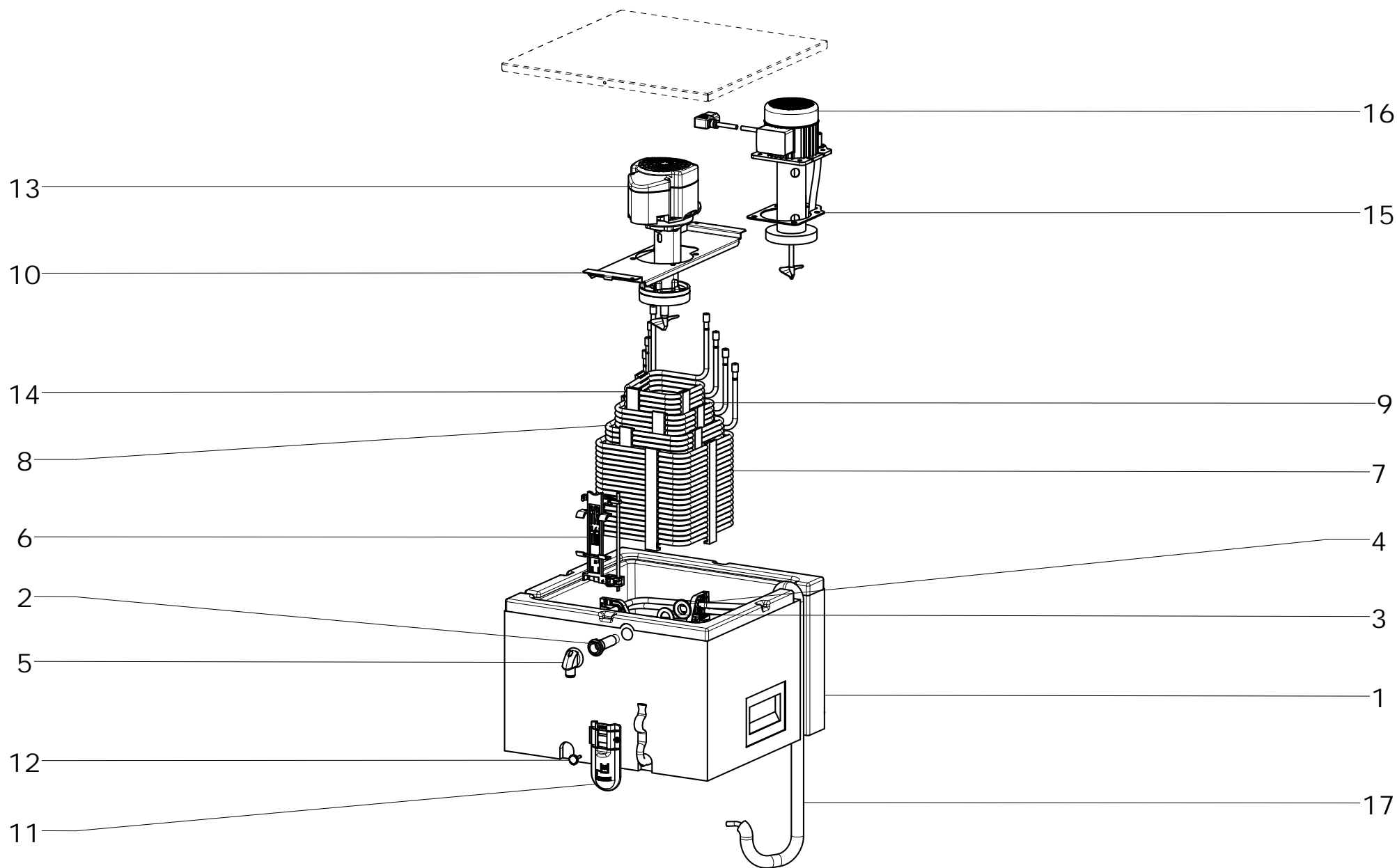
GRUPPO VASCA 3

TANK ASSEMBLY 3

GROUPE CUVE 3

GRUPO TANQUE 3

BECKENGRUPPE 3



POS.	QTY	CODE	DESCRIZIONE	DESCRIPTION	DESIGNATION	DESCRIPCION	BESCHREIBUNG
1	1	069376	VASCA SCHIUMATA	INSULATED WATER-TANK	CUVE ISOLÉE	TANQUE AISLADA	ISOLIERTANK
2	1	066688	CANNOTTO	SHAFT	QUEUE	MANGUITO	STUTZEN
3	1	030654	GUARNIZIONE	SEAL	JOINT	GUARNICIÓN	DICHTUNG
4	1	030651	DADO	NUT	ECROU	DADO	MUTTER
5	1	066689	RACCORDO SCARICO	DRAIN	ÉGOUT	DESAGUE	ABLASS
6	1	055284	STAFFA PORTA SONDE	PROBE FIXING	ÉTRIER POUR SONDE	ESTRIBO SONDA	BEFESTIGUNG SONDE
7	1	044842	SERPENTINA	COIL	SERPENTINES	SERPENTINAS	KUEHLSCHLANGEN
8	1	044843	SERPENTINA	COIL	SERPENTINES	SERPENTINAS	KUEHLSCHLANGEN
9	1	044844	SERPENTINA	COIL	SERPENTINES	SERPENTINAS	KUEHLSCHLANGEN
10	1	071989	STAFFA	BRACKET	ETRIER	ESTRIBO	BUEGEL
11	1	069839	CLIP	CLIP	CLIP	CLIP	KLIPS
12	1	071584	VITE	SCREW	VIS	TORNILLO	SCHRAUBE
13	1	042000	AGITATORE	AGITATOR	AGITATEUR	AGITADORES	RUEHRWERK
14	1	051811	SERPENTINA	COIL	SERPENTINES	SERPENTINAS	KUEHLSCHLANGEN
15	1	070168	GUARNIZIONE	SEAL	JOINT	GUARNICIÓN	DICHTUNG
16	1	048926	AGITATORE	AGITATOR	AGITATEUR	AGITADORES	RUEHRWERK
17	1	069380	EVAPORATORE	EVAPORATOR	EVAPORATEUR	EVAPORADOR	EVAPORATOR
17	1	073033	EVAPORATORE	EVAPORATOR	EVAPORATEUR	EVAPORADOR	EVAPORATOR

GRUPPO VASCA 3

TANK ASSEMBLY 3

GROUPE CUVE 3

GRUPO TANQUE 3

BECKENGRUPPE 3