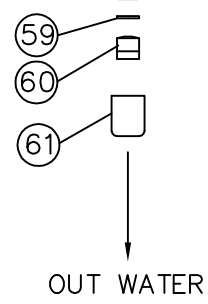
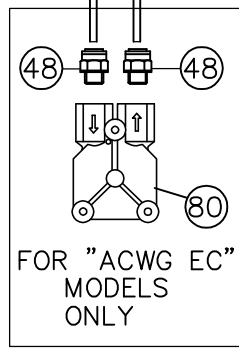
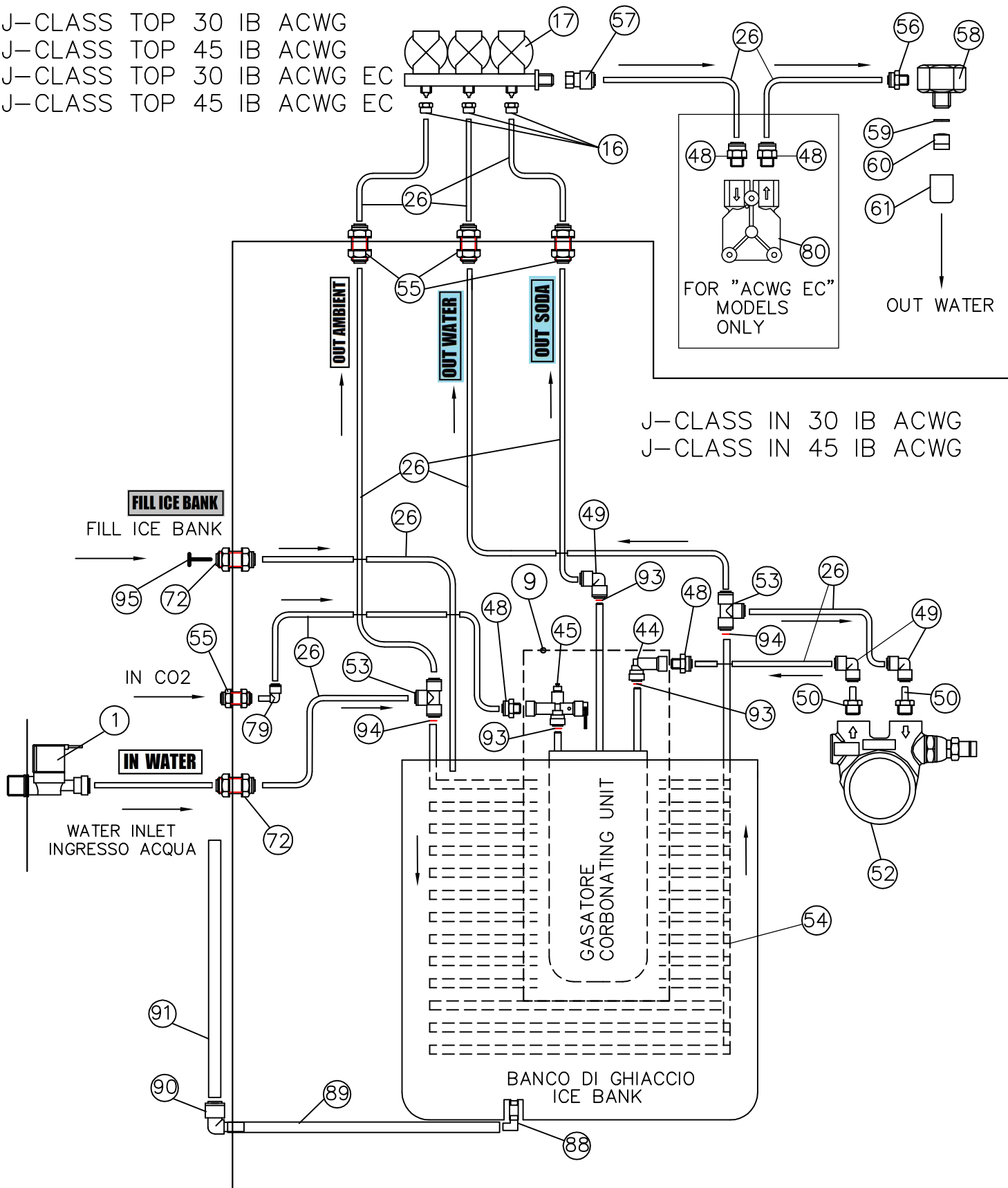
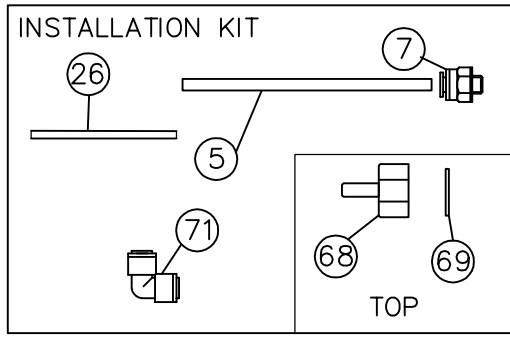


J-CLASS TOP 30 IB ACWG  
 J-CLASS TOP 45 IB ACWG  
 J-CLASS TOP 30 IB ACWG EC  
 J-CLASS TOP 45 IB ACWG EC





J-CLASS IN 30 IB ACWG  
 J-CLASS IN 45 IB ACWG



3		6	
2		5	
1		4	
Rev.	Variazione	Data Rev.	Variazione
Macchina/e e Modello/i.		Data.	
J-CLASS IN/TOP 30/45 IB ACWG/EC		23-5-24	
Dis. n°:	Scala.	Descrizione Particolare.	
		HYDRAULIC DIAGRAM	
Codice.	Formato.	Materiale.	
		Trattamento.	
COSMETAL®		Disegnato da M.S.	Note.
Drinking water solutions		Nome File .DWG.	

## J-CLASS TOP / IN 30 / 45 IB ACWG / EC HYDRAULIC

ITEM NUMBER	P / NUMBER	DESCRIZIONE 	DESCRIPTION 
1	210095	ELETTROVALVOLA DI INGRESSO RPE 3/4M-6	RPE INLET SOLENOID VALVE 3/4M-6 230V
	226880	ELETTROV.INGRESSO ALTERNATIVA CEME 3/4M-6 230V	ALTERNATIVE CEME INLET SOLENOID VALVE 3/4M-6 230V
5	271995	TUBO PE 8x6	PE HOSE 8x6
7	271982	TERMINALE DRITTO JG 3/8M-8 PM010813E	STRAIGHT ADAPTOR 3/8M-8 PM010813E
9	304752	GASATORE 1 LT. 1 SONDA	CARBONATING UNIT
16	208168	GHIERA IN PLASTICA	PLASTIC NUT
17	208133	ELETTROVALVOLA TRIPLA 3IN-1OUT 230V	TRIPLA SOLENOID VALVE 3IN-1OUT 230V
26	272038	TUBO PE 6x4	PE HOSE 6 X 4
44	304369	RACCORDO ENTRATA ACQUA GASATORE (RICAMBIO)	CARBONATING WATER INLET PIPING (SPARE PART)
	304410	VALVOLA DI NON RITORNO DW10	CHECK VALVE DW10
45	304368	RACCORDO ENTRATA CO2 GASATORE (RICAMBIO)	CARBONATING CO2 INLET PIPING (SPARE PART)
	304410	VALVOLA DI NON RITORNO DW10	CHECK VALVE DW10
	2641527	SONDA 112 mm + BOCCOLA	112 mm PROBE + BUSH
	304902	VALVOLA SICUREZZA	SECURITY VALVE
48	008642	ADATTATORE DRITTO 1/4M-6 PM010612E	STRAIGHT ADAPTOR 1/4M-6 PM010612E
49	272034	RIDUZIONE A GOMITO 8-6 PM210806E	REDUCTION ELBOW 8-6 PM210806E
50	007446	ADATTATORE A CODOLO 3/8M-8 PM050813E	STEM ADAPTOR 3/8M-8 PM050813E
52	304227	POMPA A PALETTE 3/8FF (100 LT/H)	ROTARY VANE PUMP 3/8FF 100 L/H
53	304286	TEE JG 6 PM0206E	EQUAL TEE JG 6 PM0206E
54	272181	SERPENTINA INOX 30	STAINLESS STEEL COIL 30
	272084	SERPENTINA INOX 45	STAINLESS STEEL COIL 45
55	068501	PASSAPARETE JG 6-6 NC2478-P	BULKHEAD CONNECTOR 6-6 NC2478-P
56	304370	DRITTO 1/8M-6 PM010611E	STRAIGHT 1/8M-6 PM010611E
57	208119	RACCORDO 1/4F-6 PM450612E	STRAIGHT 1/4F-6 PM450612E

## J-CLASS TOP / IN 30 / 45 IB ACWG / EC HYDRAULIC

ITEM NUMBER	P / NUMBER	DESCRIZIONE 	DESCRIPTION 
58		RACCORDO INOX PER EROGAZIONE 1/8F-3/8M	ST.STEEL DISPENSING FITTING 1/8F-3/8M
59	304943	GUARNIZIONE AERATORE	GASKET FOR PERLATOR
60	304252	AERATORE	AERATOR
61	304251	BECCUCCIO	NOZZLE
68	304387	RACCORDO 3/4F-8	FITTING 3/4F-8
69	304953	GUARNIZIONE	GASKET
71	272166	GOMITO 8-8 PM0308E	EQUAL ELBOW 8-8 PM0308E
72	272073	PASSAPARETE RIDOTTO 8-6	REDUCTION BULKHEAD CONNECTOR 8-6
79	272105	GOMITO CODOLO 6-6 PM220606E	ELBOW + SHANK 6-6 PM220606E
80	208127	CONTALITRI FLUSSIMETRO 1/4F-1/4F	FLOWMETER 1/4-1/4F
88	208114	CURVA BIANCA	SMALL WHITE ELBOW
89	272097	TUBO SILICONE PEROSSID. 12-8	PEROXIDIC SILICON PIPE 12-8
90	304397	GOMITO CODOLO 10-10 PM221010E	STEM ELBOW 10-10 PM221010E
91	305744	TUBO 7x10 PVC TRASP.	PVC TRANSPARENT PIPE 7-10
93	052845	CLIP 5/16-8	CLIP 5/16-8
94	272035	CLIP 1/4	CLIP 1/4
95	272074	TAPPO 8	CLOSURE DIAM.8

23/05/2024