



Italian design for better drinking

GEO30/VRNC



Catalogo parti di ricambio

Spare parts catalogue

Catalogo piezas de recambio

Catalogue des pièces rechange

Ersatzteilkatalog

Cod. 125131

Rev. 00

20/09/2024

Celli S.p.A.

Via Casino Albini, 605

47842 - S. Giovanni Marignano - RN - Italy

Tel. +39 0541 755211 Fax +39 0541 759735

www.celli.com - celli@celli.com

CARROZZERIA

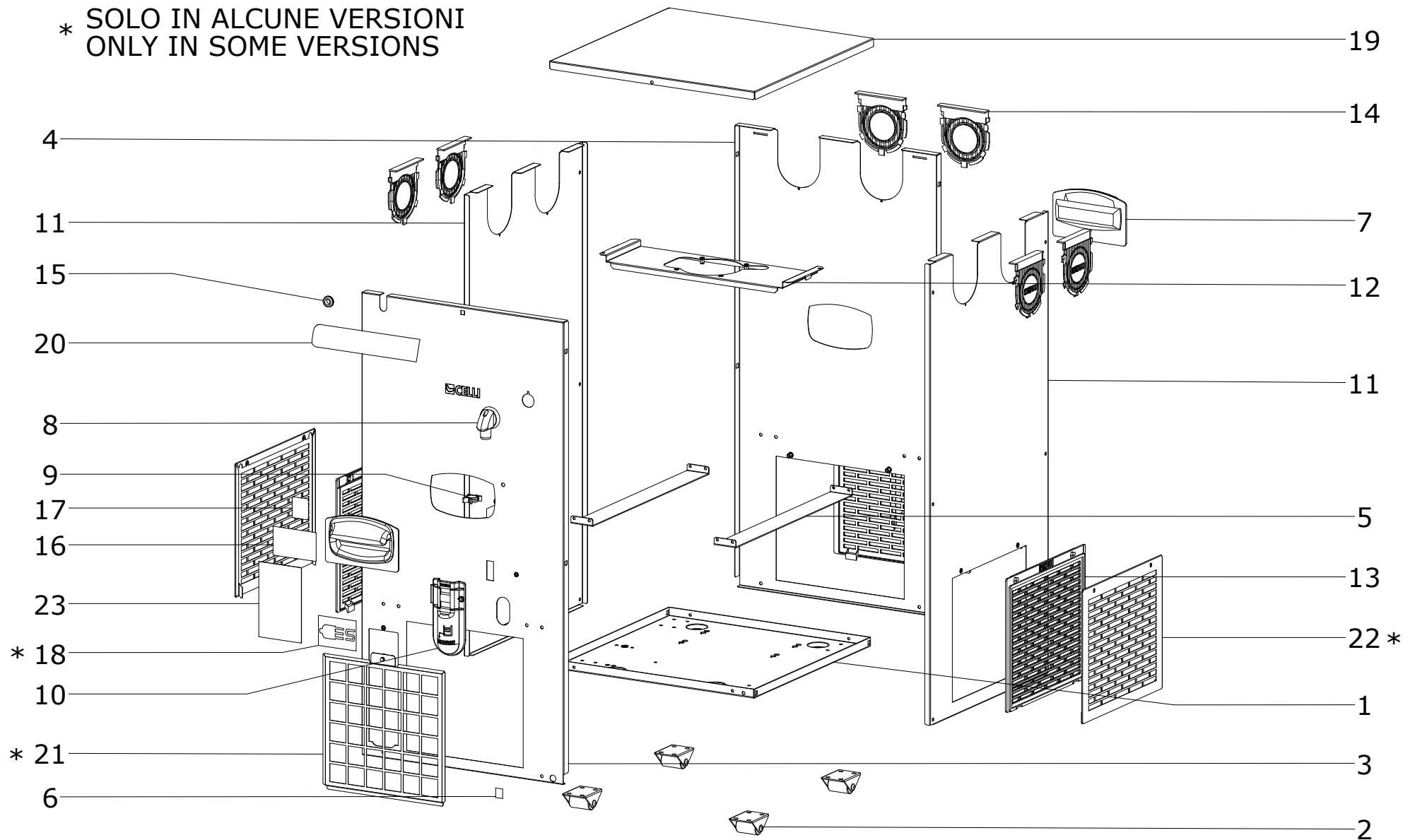
HOUSING

BOÎTIER

CARROCERÍA

GEHÄUSE

* SOLO IN ALCUNE VERSIONI
ONLY IN SOME VERSIONS



POS.	QTY	CODE	DESCRIZIONE	DESCRIPTION	DESIGNATION	DESCRIPCION	BESCHREIBUNG
1	1	122295	BASAMENTO	BASEMENT	SOUS-SOL	SÓTANO	KELLER
2	4	046258	RUOTA	WHEEL	ROUE	RUEDA	RAD
3	1	125916	PANNELLO	PANEL	PANNEAU	PANEL	PANEL
4	1	125917	PANNELLO	PANEL	PANNEAU	PANEL	PANEL
5	2	123641	STAFFA	BRACKET	ETRIER	ESTRIBO	BUEGEL
6	1	051810	ADESIVO	STICKER	AUTOADHÉSIF	ETIQUETA ADHESIVA	AUFKLEBER
7	2	031259	MANIGLIA	HANDLE	MANCHE	MANILLA	GRIFF
8	1	066689	RACCORDO SCARICO	DRAIN	ÉGOUT	DESAGUE	ABLASS
9	1	061393	CLIP	CLIP	CLIP	CLIP	KLIPS
10	1	069839	CLIP	CLIP	CLIP	CLIP	KLIPS
11	2	125918	PANNELLO	PANEL	PANNEAU	PANEL	PANEL
12	1	116231	STAFFA	BRACKET	ETRIER	ESTRIBO	BUEGEL
13	3	060921	GRIGLIA	GRID	GRILLE	REJA	ROST
14	6	031711	PIASTRINA	PLATE	PLAQUER	PLATO	PLATTE
15	1	060412	PASSACAVO	FAIRLEAD	GUIDE-CÂBLE	CANALIZACIÓN	FÜHRUNGSROLLE
16	1	041870	MATRICOLA	SERIAL NUMBER	NUMÉRO DE SÉRIE	NÚMERO DE SERIE	SERIENNUMMER
17	1	075552	ADESIVO	STICKER	AUTOADHÉSIF	ETIQUETA ADHESIVA	AUFKLEBER
18	1	074940	ADESIVO	STICKER	AUTOADHÉSIF	ETIQUETA ADHESIVA	AUFKLEBER
19	1	125868	COPERCHIO	COVER	COUVERTURE	CUBRIR	ABDECKUNG
20	1	125488	ADESIVO	STICKER	AUTOADHÉSIF	ETIQUETA ADESIVA	AUFKLEBER
21	1	125375	GRIGLIA	GRID	GRILLE	REJA	ROST
22	3	129510	GRIGLIA IN ACCIAIO	STEEL GRID	GRILLE EN ACIER	REJILLA DE ACERO	STAHLGITTER
23	1	036718	ADESIVO	STICKER	AUTOADHÉSIF	ETIQUETA ADESIVA	AUFKLEBER

CARROZZERIA

HOUSING

BOÎTIER

CARROCERÍA

GEHÄUSE

CARROZZERIA 2

HOUSING 2

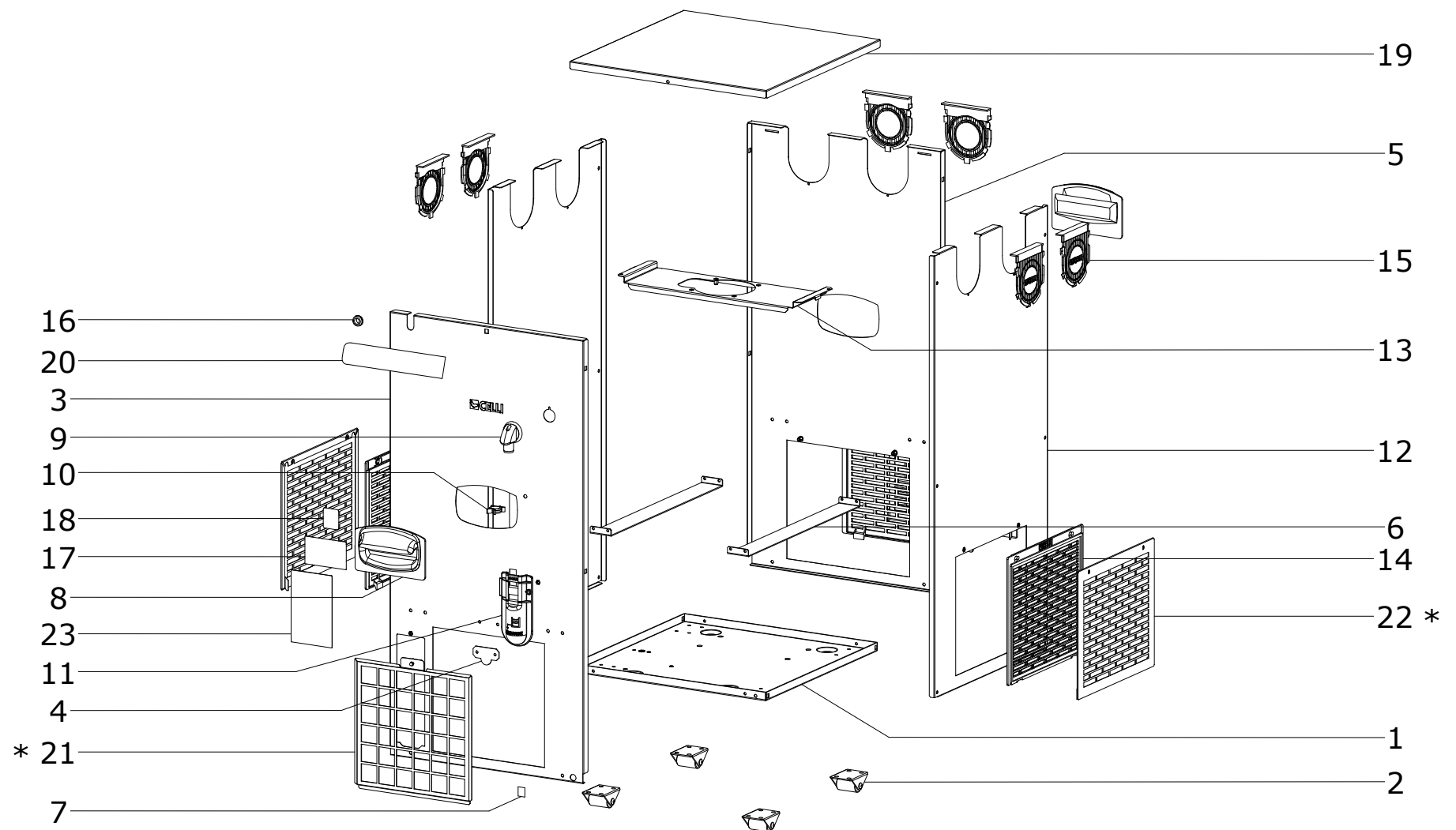
BOÎTIER 2

CARROCERÍA 2

GEHÄUSE 2

IMPIANTI IN INOX 304 304 STAINLESS STEEL COOLERS

* SOLO IN ALCUNE VERSIONI
ONLY IN SOME VERSIONS



POS.	QTY	CODE	DESCRIZIONE	DESCRIPTION	DESIGNATION	DESCRIPCION	BESCHREIBUNG
1	1	129154	BASAMENTO	BASEMENT	SOUS-SOL	SÓTANO	KELLER
2	4	046258	RUOTA	WHEEL	ROUE	RUEDA	RAD
3	1	129336	PANNELLO	PANEL	PANNEAU	PANEL	PANEL
4	1	129306	PIASTRINA	PLATE	PLAQUER	PLATO	PLATTE
5	1	129337	PANNELLO	PANEL	PANNEAU	PANEL	PANEL
6	2	129157	STAFFA	BRACKET	ETRIER	ESTRIBO	BUEGEL
7	1	051810	ADESIVO	STICKER	AUTOADHÉSIF	ETIQUETA ADHESIVA	AUFKLEBER
8	2	031259	MANIGLIA	HANDLE	MANCHE	MANILLA	GRIFF
9	1	066689	RACCORDO SCARICO	DRAIN	ÉGOUT	DESAGUE	ABLASS
10	1	061393	CLIP	CLIP	CLIP	CLIP	KLIPS
11	1	069839	CLIP	CLIP	CLIP	CLIP	KLIPS
12	2	129338	PANNELLO	PANEL	PANNEAU	PANEL	PANEL
13	1	102641	STAFFA	BRACKET	ETRIER	ESTRIBO	BUEGEL
14	3	060921	GRIGLIA	GRID	GRILLE	REJA	ROST
15	6	031711	PIASTRINA	PLATE	PLAQUER	PLATO	PLATTE
16	1	060412	PASSACAVO	FAIRLEAD	GUIDE-CÂBLE	CANALIZACIÓN	FÜHRUNGSROLLE
17	1	041870	MATRICOLA	SERIAL NUMBER	NUMÉRO DE SÉRIE	NÚMERO DE SERIE	SERIENNUMMER
18	1	075552	ADESIVO	STICKER	AUTOADHÉSIF	ETIQUETA ADHESIVA	AUFKLEBER
19	1	129064	COPERCHIO	COVER	COUVERTURE	CUBRIR	ABDECKUNG
20	1	125488	ADESIVO	STICKER	AUTOADHÉSIF	ETIQUETA ADESIVA	AUFKLEBER
21	1	129162	GRIGLIA	GRID	GRILLE	REJA	ROST
22	3	129511	GRIGLIA IN ACCIAIO	STEEL GRID	GRILLE EN ACIER	REJILLA DE ACERO	STAHLGITTER
23	1	036718	ADESIVO	STICKER	AUTOADHÉSIF	ETIQUETA ADESIVA	AUFKLEBER

CARROZZERIA 2

HOUSING 2

BOÎTIER 2

CARROCERÍA 2

GEHÄUSE 2

GRUPPO FRIGO

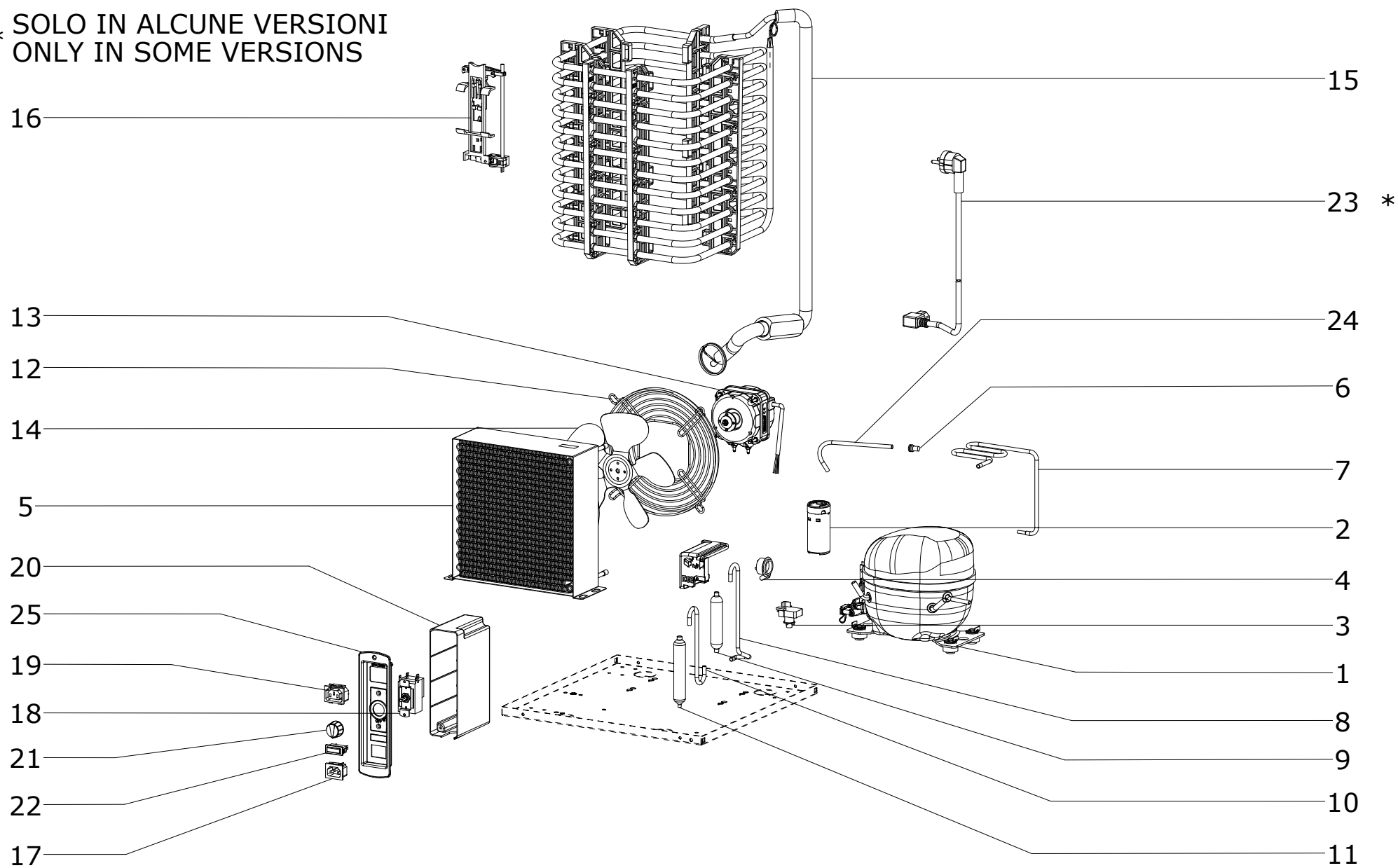
COOLING UNIT

GROUPE REFRIGERANT

GRUPO REFRIGERANTE

KÜHLEINHEIT

* SOLO IN ALCUNE VERSIONI
ONLY IN SOME VERSIONS



POS.	QTY	CODE	DESCRIZIONE	DESCRIPTION	DESIGNATION	DESCRIPCION	BESCHREIBUNG
1	1	105660	COMPRESSORE	COMPRESSOR	COMPRESSEUR	COMPRESOR	KOMPRESSOR
2	1	105669	CONDENSATORE	CONDENSATOR	CONDENSATEUR	CONDENSADOR	KONDENSATOR
3	1	105668	RELÈ	RELAIS	RELAIS	RELAIS	RELAIS
4	1	105667	CLIXON	CLIXON	CLIXON	CLIXON	CLIXON
5	1	120105	CONDENSATORE	CONDENSATOR	CONDENSATEUR	CONDENSADOR	KONDENSATOR
6	1	075796	TAPPO	CAP	BOUCHON	CHAPA	STOPFEN
7	1	123510	TUBO DI RAME	COPPER TUBE	TUYAU EN CUIVRE	TUBO EN COBRE	KUPFEROHR
8	1	123102	TUBO DI RAME	COPPER TUBE	TUYAU EN CUIVRE	TUBO EN COBRE	KUPFEROHR
9	1	122988	BARILOTTO	BARREL	BARIL	BARRIL	FASS
10	1	123090	TUBO DI RAME	COPPER TUBE	TUYAU EN CUIVRE	TUBO EN COBRE	KUPFEROHR
11	1	085287	FILTRO DEIDRATORE	DEHYDRATING FILTER	FILTRE DESHYDRATEUR	FILTRO DESYDRATOR	DEHYDRATATIONSFILTER
12	1	048085	GRIGLIA	GRID	GRILLE	REJA	ROST
13	1	115305	MOTOVENTILATORE ES	FAN MOTOR ES	MOTOVENTILATEUR ES	MOTOVENTILADOR ES	VENTILATORMOTOR ES
13	1	304194	MOTOVENTILATORE	FAN MOTOR	MOTOVENTILATEUR	MOTOVENTILADOR	VENTILATORMOTOR
14	1	022046	VENTOLA	FAN	HELICE	VENTILADOR	PROPELLER
15	1	123375	EVAPORATORE	EVAPORATOR	EVAPORATEUR	EVAPORADOR	VERDAMPFER
16	1	055284	STAFFA PORTA SONDE	PROBE FIXING	ÉTRIER POUR SONDE	ESTRIBO SONDA	BEFESTIGUNG SONDE
17	1	040963	PRESA FELLER	FELLER SOCKET	PRISE FELLER	TOMA FELLER	STECKER FELLER
18	1	080725	TERMOSTATO	THERMOSTAT	THERMOSTAT	TERMOSTATO	THERMOSTAT
19	1	040964	PRESA FELLER	FELLER SOCKET	PRISE FELLER	TOMA FELLER	STECKDOSE FELLER
20	1	071005	GUSCIO	SHELL	SHELL	SHELL	SHELL
21	1	124943	MANOPOLA	KNOB	POIGNÉE	POMO	GRIFF
22	1	123297	LAMPADA VERDE	GREEN LAMP	FEU VERTE	LUZ VERDE	GRÜN LAMPE
23	1	041253	CAVO ALIMENTAZIONE EU	EU POWER SUPPLY CABLE	CÂBLE D'ALIMENTATION EU	CABLE DE ALIMENTACIÓN EU	EU STROMVERSORGUNGSKABE
23	1	120609	CAVO ALIMENTAZIONE IT	IT POWER SUPPLY CABLE	CÂBLE D'ALIMENTATION IT	CABLE DE ALIMENTACIÓN IT	IT STROMVERSORGUNGSKABEL
23	1	227443	CAVO ALIMENTAZIONE UK	UK POWER SUPPLY CABLE	CÂBLE D'ALIMENTATION UK	CABLE DE ALIMENTACIÓN UK	UK STROMVERSORGUNGSKABE
23	1	306072	CAVO ALIMENTAZIONE US	US POWER SUPPLY CABLE	CÂBLE D'ALIMENTATION US	CABLE DE ALIMENTACIÓN US	US STROMVERSORGUNGSKABE
23	1	306240	CAVO ALIMENTAZIONE AUS	AUS POWER SUPPLY CABLE	CÂBLE D'ALIMENTATION AUS	CABLE DE ALIMENTACIÓN AUS	AUS STROMVERSORGUNGSKABE
24	1	002998	TUBO DI RAME	COPPER TUBE	TUYAU EN CUIVRE	TUBO EN COBRE	KUPFEROHR
25	1	122513	PANNELLO	PANEL	PANNEAU	PANEL	PANEL

GRUPPO FRIGO

COOLING UNIT

GROUPE REFRIGERANT

GRUPO REFRIGERANTE

KÜHLEINHEIT

GRUPPO VASCA

TANK ASSEMBLY

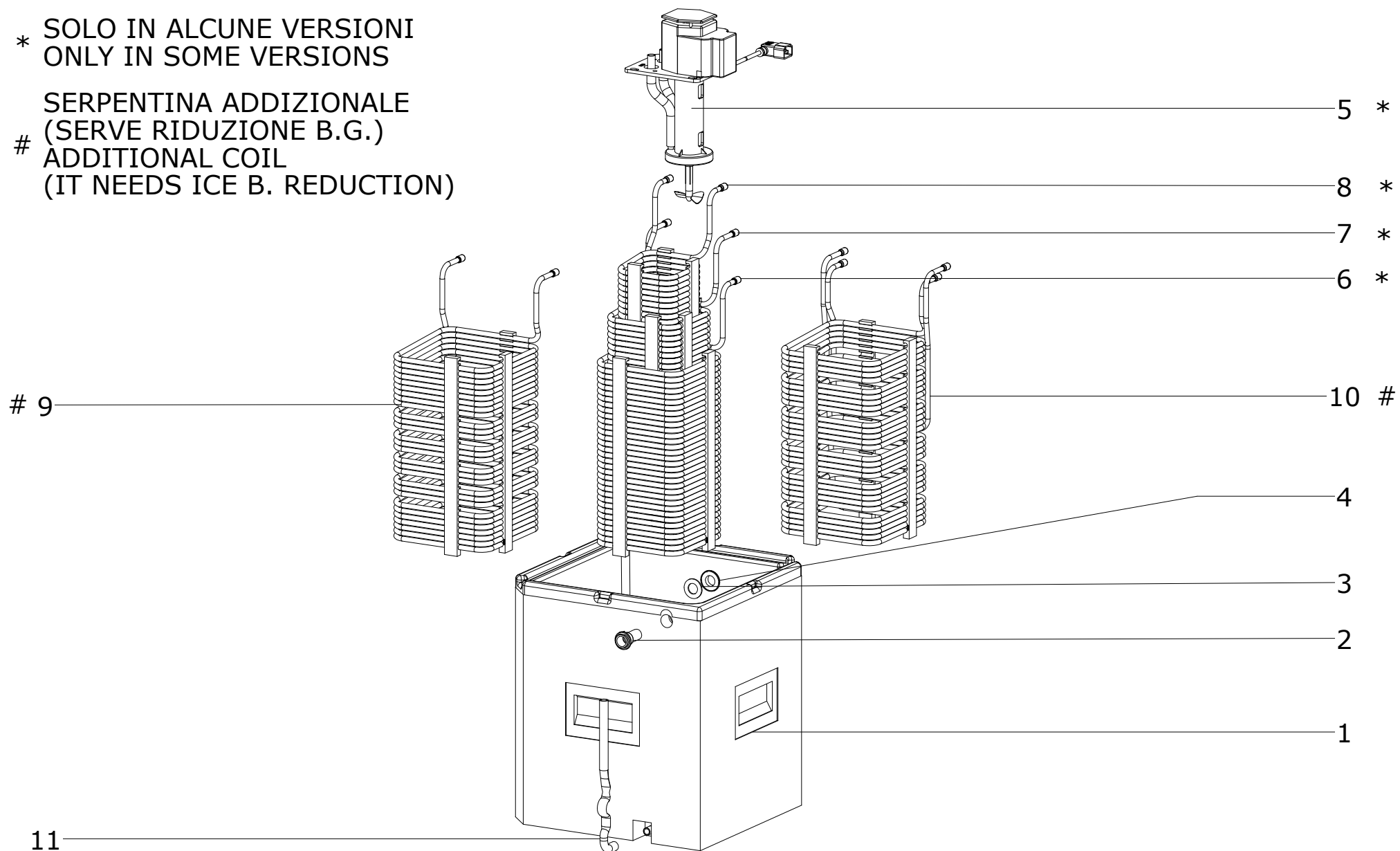
GROUPE CUVE

GRUPO TANQUE

BECKENGRUPPE

* SOLO IN ALCUNE VERSIONI
ONLY IN SOME VERSIONS

SERPENTINA ADDIZIONALE
(SERVE RIDUZIONE B.G.)
ADDITIONAL COIL
(IT NEEDS ICE B. REDUCTION)



POS.	QTY	CODE	DESCRIZIONE	DESCRIPTION	DESIGNATION	DESCRIPCION	BESCHREIBUNG
1	1	122321	VASCA SCHIUMATA	INSULATED WATER-TANK	CUVE ISOLÉE	TANQUE AISLADA	ISOLIERTANK
2	1	066688	CANNOTTO	SHAFT	QUEUE	MANGUITO	STUTZEN
3	1	030654	GUARNIZIONE	SEAL	JOINT	GUARNICIÓN	DICHTUNG
4	1	030651	DADO	NUT	ECROU	DADO	MUTTER
5	1	111847	POMPA / AGITATORE	AGITATOR/PUMP	POMPE	BOMBA	PUMPE
5	1	111852	POMPA / AGITATORE ES	AGITATOR/PUMP ES	POMPE ES	BOMBA ES	PUMPE ES
6	1	072385	SERPENTINA Øe8	COIL Øe8	SERPENTINES Øe8	SERPENTINAS Øe8	KUEHLSCHLANGEN Øe8
6	1	073427	SERPENTINA Øe7	COIL Øe7	SERPENTINES Øe7	SERPENTINAS Øe7	KUEHLSCHLANGEN Øe7
6	1	084204	SERPENTINA 2x7	COIL 2x7	SERPENTINES 2x7	SERPENTINAS 2x7	KUEHLSCHLANGEN 2x7
6	1	102880	SERPENTINA RESCA	COIL BARBED	SERPENTINES BARBELÉ	SERPENTINAS RESCA	KUEHLSCHLANGEN WIDERHAKE
6	1	113082	SERPENTINA 25m	COIL 25m	SERPENTINES 25m	SERPENTINAS 25m	KUEHLSCHLANGEN 25m
6	1	113084	SERPENTINA 15m	COIL 15m	SERPENTINES 15m	SERPENTINAS 15m	KUEHLSCHLANGEN 15m
6	1	115003	SERPENTINA Øe11	COIL Øe11	SERPENTINES Øe11	SERPENTINAS Øe11	KUEHLSCHLANGEN Øe11
7	1	072386	SERPENTINA Øe8	COIL Øe8	SERPENTINES Øe8	SERPENTINAS Øe8	KUEHLSCHLANGEN Øe8
7	1	074235	SERPENTINA Øe7	COIL Øe7	SERPENTINES Øe7	SERPENTINAS Øe7	KUEHLSCHLANGEN Øe7
7	1	102881	SERPENTINA RESCA	COIL BARBED	SERPENTINES BARBELÉ	SERPENTINAS RESCA	KUEHLSCHLANGEN WIDERHAKE
7	1	113085	SERPENTINA 15m	COIL 15m	SERPENTINES 15m	SERPENTINAS 15m	KUEHLSCHLANGEN 15m
7	1	115004	SERPENTINA Øe11	COIL Øe11	SERPENTINES Øe11	SERPENTINAS Øe11	KUEHLSCHLANGEN Øe11
8	1	072387	SERPENTINA Øe8	COIL Øe8	SERPENTINES Øe8	SERPENTINAS Øe8	KUEHLSCHLANGEN Øe8
8	1	074236	SERPENTINA Øe7	COIL Øe7	SERPENTINES Øe7	SERPENTINAS Øe7	KUEHLSCHLANGEN Øe7
8	1	078280	SERPENTINA Øe7 7m	COIL Øe7 7m	SERPENTINES Øe7 7m	SERPENTINAS Øe7 7m	KUEHLSCHLANGEN Øe7 7m
8	1	102882	SERPENTINA RESCA	COIL BARBED	SERPENTINES BARBELÉ	SERPENTINAS RESCA	KUEHLSCHLANGEN WIDERHAKE
8	1	113083	SERPENTINA 15m	COIL 15m	SERPENTINES 15m	SERPENTINAS 15m	KUEHLSCHLANGEN 15m
9	1	072384	SERPENTINA Øe8	COIL Øe8	SERPENTINES Øe8	SERPENTINAS Øe8	KUEHLSCHLANGEN Øe8
9	1	073995	SERPENTINA 40m	COIL 40m	SERPENTINES 40m	SERPENTINAS 40m	KUEHLSCHLANGEN 40m
10	1	073920	SERPENTINA Øe8	COIL Øe8	SERPENTINES Øe8	SERPENTINAS Øe8	KUEHLSCHLANGEN Øe8
11	1	069840	TUBO DI GOMMA	RUBBER TUBE	TUYAU EN CAOUTCHOUC	TUBO EN CAUCHO	SCHLAUCH

GRUPPO VASCA

TANK ASSEMBLY

GROUPE CUVE

GRUPO TANQUE

BECKENGRUPPE