

# ECLIPSE-OR



**Catalogo parti di ricambio**  
Spare parts catalogue  
Catalogo piezas de recambio  
Catalogue des pièces rechange  
Ersatzteilkatalog

Cod. 078322  
21/06/2019

Rev. 02



POS.	QTY	CODE	DESCRIZIONE	DESCRIPTION	DESIGNATION	DESCRIPCION	BESCHREIBUNG
1	1	003253	CLIP	CLIP	CLIP	CLIP	CLIP
2	1	015050	RACCOGLICONDENSA	CONDENSATE BASE	BASE CONDENSE'	BASE CONDENSADO	BASE KONDENSIERT
3	4	031259	MANIGLIA	HANDLE	MANCHE	MANILLA	GRIF
4	1	036718	ADESIVO	STICKER	AUTOADHÉSIF	ETIQUETA ADHESIVA	AUFKLEBER
5	1	060893	GRIGLIA	GRID	GRILLE	REJA	ROST
6	2	066184	STAFFA	BRACKET	ETRIER	ESTRIBO	BUEGEL
7	1	066186	PANNELLO	PANEL	PANNEAU	PANEL	PANEL
8	1	066308	CARTER	CARTER	CARTER	CARTER	CARTER
9	1	068810	ADESIVO ISOLANTE	INSULATED STICKER	AUTOADH ISOLATION	ADHESIVA AISLADO	ISOLIERENDER AUKKLEBER
10	1	075798	BASAMENTO	BASEMENT	SOUS-SOL	SÓTANO	KELLER
11	2	075802	ADESIVO ISOLANTE	INSULATED STICKER	AUTOADH ISOLATION	ADHESIVA AISLADO	ISOLIERENDER AUKKLEBER
12	1	075871	ADESIVO ISOLANTE	INSULATED STICKER	AUTOADH ISOLATION	ADHESIVA AISLADO	ISOLIERENDER AUKKLEBER
13	1	075874	ADESIVO ISOLANTE	INSULATED STICKER	AUTOADH ISOLATION	ADHESIVA AISLADO	ISOLIERENDER AUKKLEBER
14	1	076505	BASAMENTO	BASEMENT	SOUS-SOL	SÓTANO	KELLER
15	1	076506	STAFFA	BRACKET	ETRIER	ESTRIBO	BUEGEL
16	1	076880	PANNELLO	PANEL	PANNEAU	PANEL	PANEL
17	1	076931	PANNELLO	PANEL	PANNEAU	PANEL	PANEL
18	1	076932	COPERCHIO	COVER	COUVERCLE	COBERTURA	DECKEL
19	1	076936	STAFFA	BRACKET	ETRIER	ESTRIBO	BUEGEL
20	1	076937	STAFFA	BRACKET	ETRIER	ESTRIBO	BUEGEL
21	1	078315	FRONTALINO	FRONT	AVANT	FRENTE	VOR

CARROZZERIA

HOUSING

BOÎTIER

CARROCERÍA

GEHÄUSE

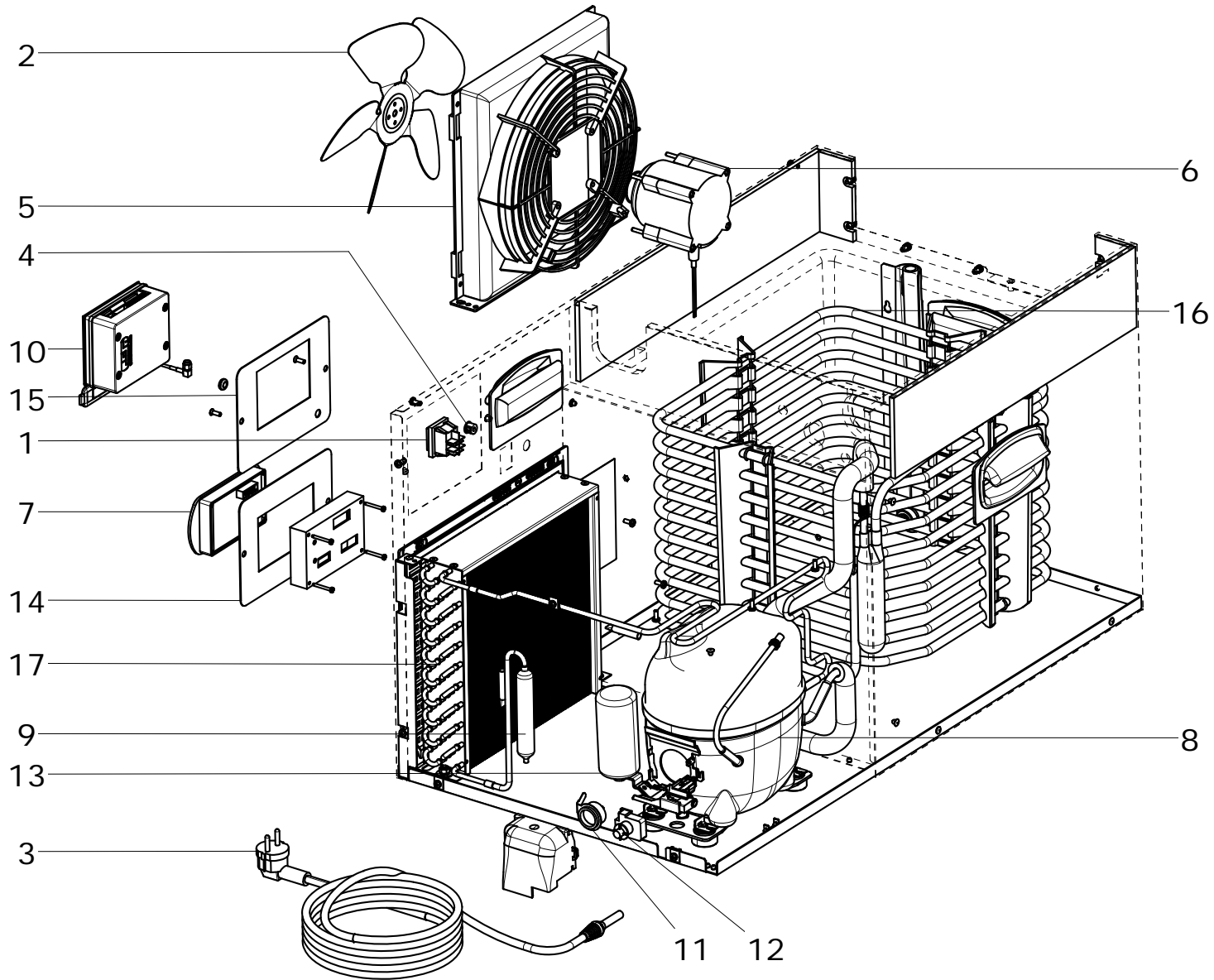
GRUPPO FRIGO

COOLING UNIT

GROUPE REFRIGERANT

GRUPO REFRIGERANTE

KÜHLEINHEIT



POS.	QTY	CODE	DESCRIZIONE	DESCRIPTION	DESIGNATION	DESCRIPCION	BESCHREIBUNG
1	1	002170	INTERRUTTORE	SWITCH	INTERRUPTEUR	INTERRUPTOR	SCHALTER
2	1	016202	VENTOLA	FAN	HELICE	VENTILADOR	PROPELLER
3	1	031804	CAVO ALIMENTAZIONE	POWER SUPPLY CABLE	CÂBLE D'ALIMENTATION	CABLE DE ALIMENTACIÓN	STROMVERSORGUNGSKABEL
4	1	064212	TAPPO DI PLASTICA	PLASTIC CAP	BOUCHON EN PLASTIQUE	CHAPA EN PALSTICA	PLASTIKDECKEL
5	1	066027	CONVOGLIATORE	CONVEYOR	CONVOYEUR	TRANSPORTADOR	LUFTSTROEMER
6	1	066728	MOTOVENTILATORE	FAN MOTOR	MOTOVENTILATEUR	MOTOVENTILADOR	VENTILATORMOTOR
7	1	068620	PULSANTIERA	KEYBOARD	CLAVIER	TECLADO	KEYBOARD
8	1	073915	COMPRESSORE	COMPRESSOR	COMPRESSEUR	COMPRESOR	KOMPRESSOR
9	1	074693	CONDENSATORE	CONDENSER	CONDENSATEUR	CONDENSADOR	KONDENSATOR
10	1	076099	CENTRALINA TELEMETRIA	TELEMETRY CONTROLLER	UNITÉ DE TELEMETRIE	UNIDAD DE TELEMETRÍA	EINHEITEN
11	1	076496	CLIXON	CLIXON	CLIXON	CLIXON	CLIXON
12	1	076498	RELÈ	RELAIS	RELAIS	RELAIS	RELAIS
13	1	076500	CONDENSATORE	CAPACITOR	CONDENSATEUR	CONDENSADOR	ANLAUFKONDENSATOR
14	1	076936	STAFFA	BRACKET	ETRIER	ESTRIBO	BUEGEL
15	1	076937	STAFFA	BRACKET	ETRIER	ESTRIBO	BUEGEL
16	1	075797	EVAPORATORE	EVAPORATOR	EVAPORATEUR	EVAPORADOR	EVAPORATOR
17	1	074693	CONDENSATORE	CONDENSER	CONDENSATEUR	CONDENSADOR	KONDENSATOR

GRUPPO FRIGO

COOLING UNIT

GROUPE REFRIGERANT

GRUPO REFRIGERANTE

KÜHLEINHEIT

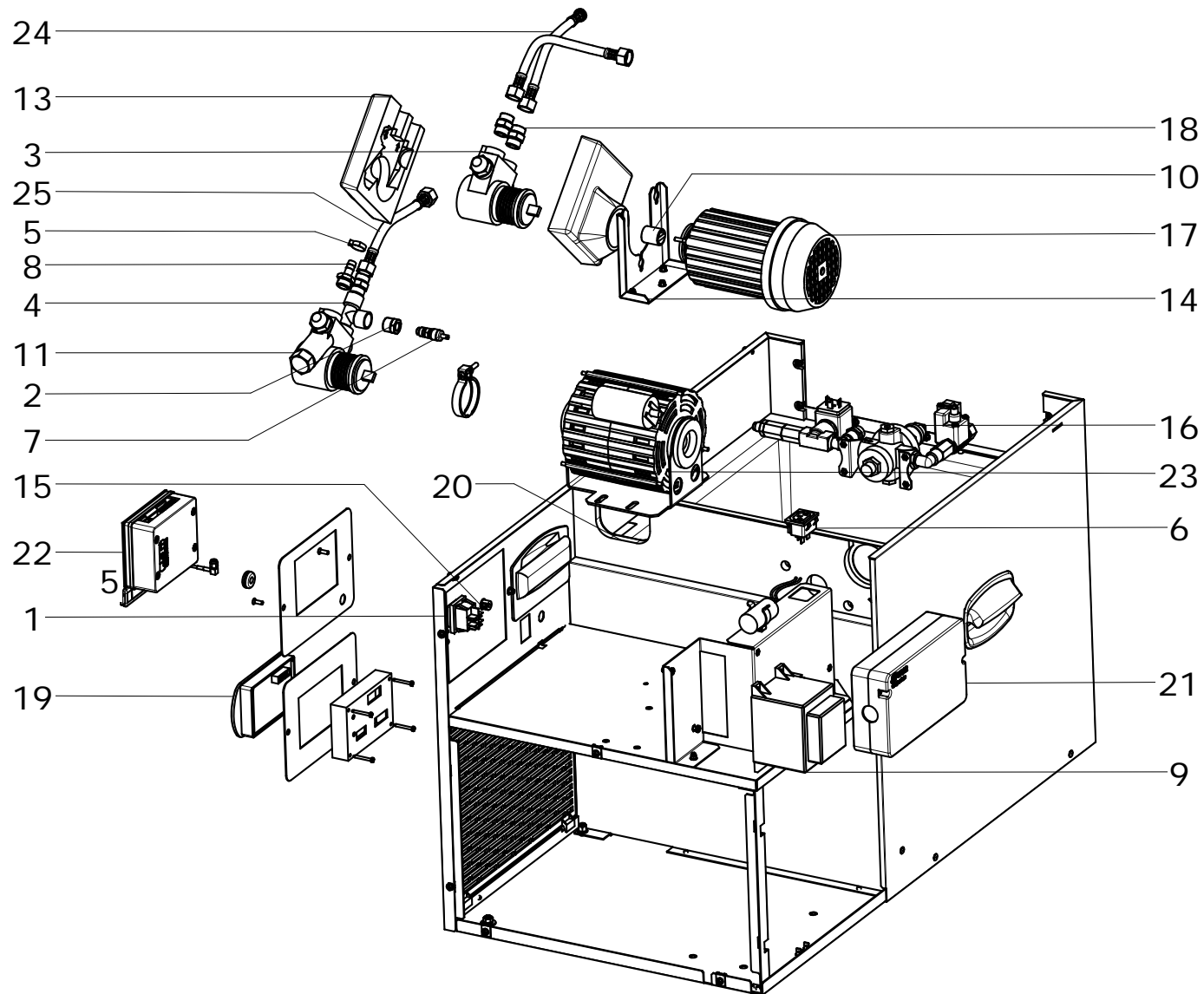
GRUPPO POSTMIX

POSTMIX UNIT

POSTMIX GROUPE

GRUPO POSTMIX

POSTMIX UNIT



POS.	QTY	CODE	DESCRIZIONE	DESCRIPTION	DESIGNATION	DESCRIPCION	BESCHREIBUNG
1	1	002170	INTERRUTTORE	SWITCH	INTERRUPTEUR	INTERRUPTOR	SCHALTER
2	1	002292	RACCORDO	CONNECTOR	CONNECTEUR	CONECTOR	VERBINDER
3	1	005318	POMPA RICIRCOLO SODA	SODA RECIRCULATION PUMP	POMPE DE RECIRCULATION	BOMBA DE RECIRCULACIÓN	SODA BEGLEITKUEHLPUMPE
4	1	006676	RACCORDO	CONNECTOR	CONNECTEUR	CONECTOR	VERBINDER
5	1	028829	FASCETTA	HOSECLIP	COLLIER	ABRAZADERA	SCHLAUCHBINDER
6	1	040964	PRESA FELLER	FELLER SOCKET	PRISE FELLER	TOMA FELLER	STECKDOSE FELLER
7	1	043074	VALVOLA DI SERVIZIO	SERVICE VALVE	VALVE DE SERVICE	VALVULA DE SERVICIO	SERVICEVENTIL
8	1	046969	RACCORDO	CONNECTOR	CONNECTEUR	CONECTOR	VERBINDER
9	1	048387	TRASFORMATORE	TRANSFORMER	TRANSFORMATEUR	TRASFORMADOR	TRANSFORMATOR
10	1	048398	GIUNTO	COUPLING	ACCOUPEMENT	ACOPLADOR	KOPPELUNG
11	1	048491	POMPA CARBONAZIONE	CARBONATOR PUMP	POMPE DE CARBONATION	BOMBA DE SATURACIÓN	KARBONATORPUMPE
12	1	055319	RACCORDO	CONNECTOR	CONNECTEUR	CONECTOR	VERBINDER
13	1	057072	GUSCIO POMPA RICIRCOLO SODA	INSULATION FOR RECIRCULATION PUMP	ISOLATION POUR POMPE DE RECIRCULATION	ISOLAMENTO PARA BOMBA DE RECIRCULACIÓN	ISOLIERUNG FÜR BEGLEITKUEHLPUMPE
14	1	060326	STAFFA	BRACKET	ETRIER	ESTRIBO	BUEGEL
15	1	064212	TAPPO DI PLASTICA	PLASTIC CAP	BOUCHON EN PLASTIQUE	CHAPA EN PALSTICA	PLASTIKDECKEL
16	1	065593	KIT ACQUA PIATTA	STILL WATER KIT	STILL WATER KIT	STILL WATER KIT	STILL WATER KIT
17	1	066176	MOTORE RICIRCOLO SODA	SODA RECIRCULATION MOTOR	MOTEUR RECIRCULATION SODA	MOTOR DE RECIRCULACIÓN SODA	SODA BEGLEITKUEHLMOTOR
18	3	066311	RACCORDO	CONNECTOR	CONNECTEUR	CONECTOR	VERBINDER
19	1	068620	PULSANTIERA	KEYBOARD	CLAVIER	TECLADO	KEYBOARD
20	1	068810	ADESIVO ISOLANTE	INSULATED STICKER	AUTOADH ISOLATION	ADHESIVA AISLADO	ISOLIERENDER AUKKLEBER
21	1	076096	CENTRALINA	CONTROL BOX	CONTROL BOX	CONTROL BOX	CONTROL BOX
22	1	076099	CENTRALINA TELEMETRIA	TELEMETRY CONTROLLER	UNITÉ DE TELEMETRIE	UNIDAD DE TELEMETRÍA	EINHEITEN
23	1	048369	MOTORE CARBONAZIONE	CARBONATOR MOTOR	MOTEUR DE CARBONATION	MOTOR DE SATURACIÓN	KARBONATORMOTOR
24	1	048334	TUBO FLESSIBILE	FLEXIBLE HOSE	TUYAU FLEXIBLE	TUBO FLEXIBLE	FLEXIBELROHR
25	1	048333	TUBO FLESSIBILE	FLEXIBLE HOSE	TUYAU FLEXIBLE	TUBO FLEXIBLE	FLEXIBELROHR

GRUPPO POSTMIX

POSTMIX UNIT

POSTMIX GROUPE

GRUPO POSTMIX

POSTMIX UNIT

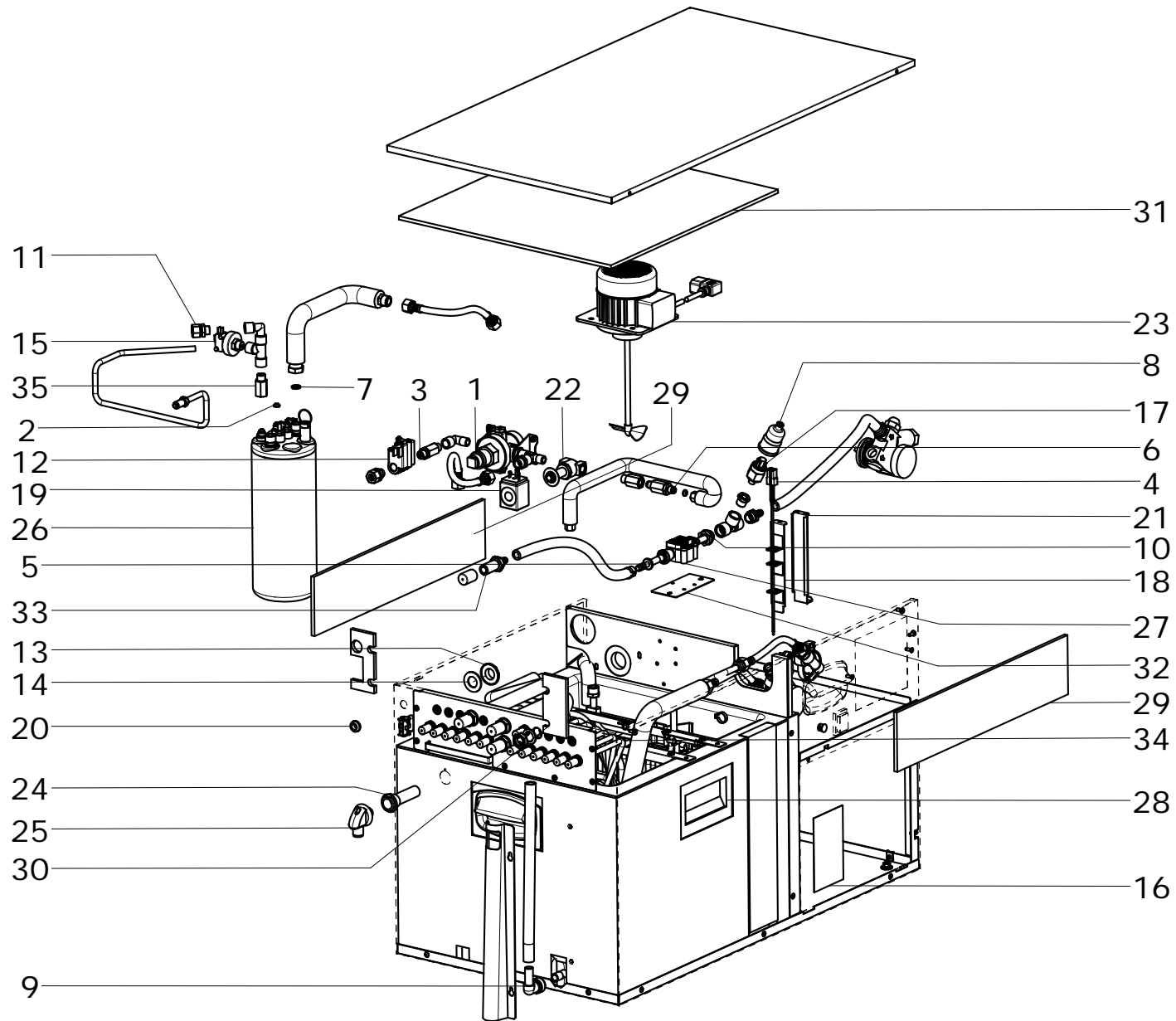
GRUPPO VASCA

TANK ASSEMBLY

GROUPE CUVE

GRUPO TANQUE

BECKENGRUPPE



POS.	QTY	CODE	DESCRIZIONE	DESCRIPTION	DESIGNATION	DESCRIPCION	BESCHREIBUNG
1	1	001021	RIDUTTORE PRESSIONE ACQUA	WATER PRESSURE REGULATOR	DETENDEUR DE PRESSION EAU	REDUCTOR DE PRESIÓN AGUA	WASSERDRUCKMINDERER
2	2	001904	GUARNIZIONE CONICA	CONICAL JOINT	JOINT CONIQUE	GUARNICIÓN CONICA	KONISCHE DICHTUNG
3	1	001923	VALVOLA NON RITORNO	NON RETURN VALVE	SOUPAPE NON RETOUR	VALVULA DE RETENCIÓN	RUECKSCHLAGVENTIL
4	1	002921	SONDA TERMOSTATO	THERMOSTAT PROBE	SONDE DU THERMOSTAT	SONDA TERMOSTATO	THERMOSTATSONDE
5	1	007041	NIPPO	NIPPLE	NIPPLE	NIPLE	NIPPEL
6	1	007365	VALVOLA NON RITORNO	NON RETURN VALVE	SOUPAPE NON RETOUR	VALVULA DE RETENCIÓN	RUECKSCHLAGVENTIL
7	2	007922	GUARNIZIONE	SEAL	JOINT	GUARNICIÓN	DICHTUNG
8	1	008244	TAPPO	CAP	BOUCHON	CHAPA	STOPFEN
9	1	011253	RACCORDO RAPIDO	QUICK CONNECTOR	RACCORD RAPID	CONNEXIONE RAPIDA	SCHNELLVERBINDER
10	1	011297	RACCORDO	CONNECTOR	CONNECTEUR	CONECTOR	VERBINDER
11	2	023955	RACCORDO RAPIDO	QUICK CONNECTOR	RACCORD RAPID	CONNEXIONE RAPIDA	SCHNELLVERBINDER
12	1	024350	PRESSOSTATO	PRESSURE SWITCH	PRESSOSTAT	PRESÓSTATO	DRUCKWELLENSCHALTER
13	1	030651	DADO	NUT	ECROU	DADO	MUTTER
14	1	030654	GUARNIZIONE	SEAL	JOINT	GUARNICIÓN	DICHTUNG
15	1	035168	PRESSOSTATO	PRESSURE SWITCH	PRESSOSTAT	PRESÓSTATO	DRUCKWELLENSCHALTER
16	1	036718	ADESIVO	STICKER	AUTOADHÉSIF	ETIQUETA ADHESIVA	AUFKLEBER
17	1	037496	PRESSOSTATO	PRESSURE SWITCH	PRESSOSTAT	PRESÓSTATO	DRUCKWELLENSCHALTER
18	1	048395	STAFFA PORTA SONDE	PROBE FIXING	ÉTRIER POUR SONDE	ESTRIBO SONDA	BEFESTIGUNG SONDE
19	1	054462	BOBINA	COIL	ENROULEMENT	BOBINA	SPULE
20	1	060412	PASSACAVO	FAIRLEAD	GUIDE-CÂBLE	CANALIZACIÓN	FÜHRUNGSROLLE
21	1	060505	STAFFA	BRACKET	ETRIER	ESTRIBO	BUEGEL
22	1	065594	ELETTROVALVOLA	ELECTROVALVE	ÉLECTROVALVE	ELECTROVALVULA	ELEKTROVENTIL
23	1	066213	AGITATORE	AGITATOR	AGITATEUR	AGITADORES	RUEHRWERK
24	1	066688	CANNOTTO	SHAFT	QUEUE	MANGUITO	STUTZEN
25	1	066689	RACCORDO SCARICO	DRAIN	ÉGOUT	DESAGUE	ABLASS
26	1	072521	CARBONATORE	CARBONATOR	CARBONATEUR	SATURADOR	KARBONATOR
27	1	072745	FLUSSOMETRO	FLOWMETER	DEBITMETRE	FLUJÓMETRO	DURCHFLUSSMESSER
28	1	075556	VASCA SCHIUMATA	INSULATED WATER-TANK	CUVE ISOLÉE	TANQUE AISLADA	ISOLIERTANK
29	2	075802	ADESIVO ISOLANTE	INSULATED STICKER	AUTOADH ISOLATION	ADHESIVA AISLADO	ISOLIERENDER AUKKLEBER
30	1	075873	ADESIVO ISOLANTE	INSULATED STICKER	AUTOADH ISOLATION	ADHESIVA AISLADO	ISOLIERENDER AUKKLEBER
31	1	075874	ADESIVO ISOLANTE	INSULATED STICKER	AUTOADH ISOLATION	ADHESIVA AISLADO	ISOLIERENDER AUKKLEBER
32	2	076102	STAFFA	BRACKET	ETRIER	ESTRIBO	BUEGEL
33	1	076103	RACCORDO PASSA-PARETE	BULKHEAD CONNECTOR	PASSE CLOISON INTERMEDIAIR	PASAPARED INTERMEDIO	MITLLERES DURCHGANGSTUECI
34	1	078314	KIT SERPENTINE	COILS KIT	KIT SERPENTINS	KIT DE SEPENTINAS	KUEHLSCHLANGENSSET
35	1	039201	VALVOLA NON RITORNO	NON RETURN VALVE	SOUPAPE NON RETOUR	VALVULA DE RETENCIÓN	RUECKSCHLAGVENTIL

GRUPPO VASCA

TANK ASSEMBLY

GROUPE CUVE

GRUPO TANQUE

BECKENGRUPPE